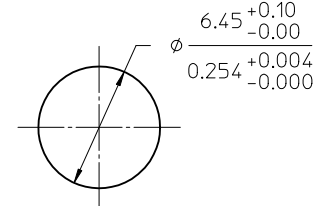
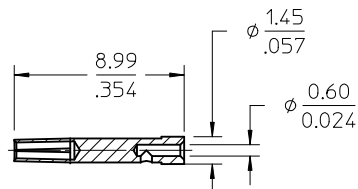
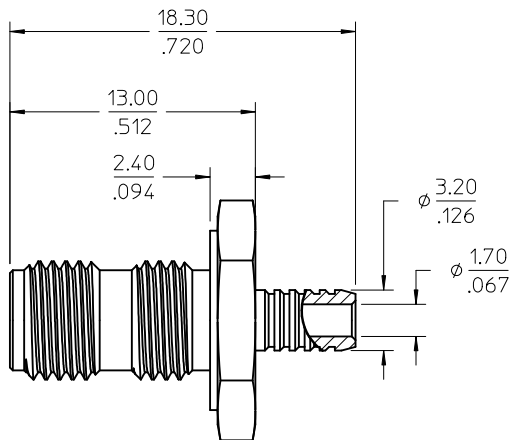
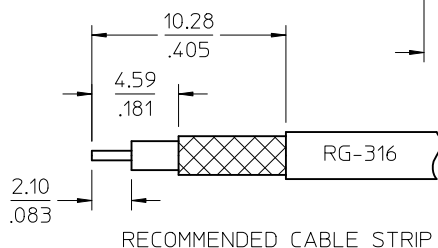
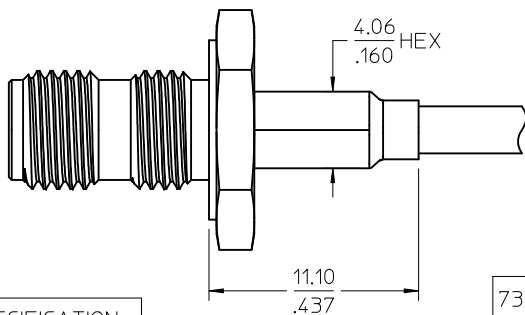
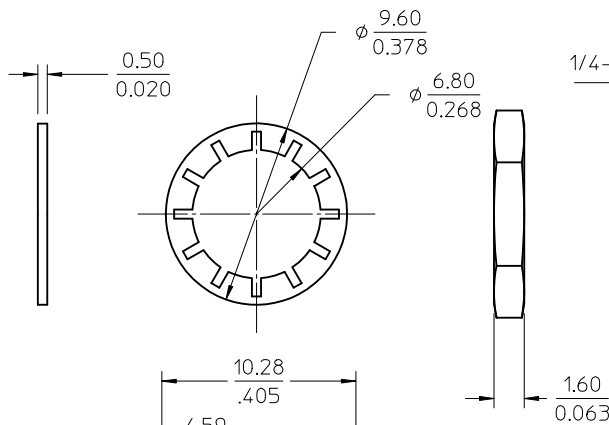
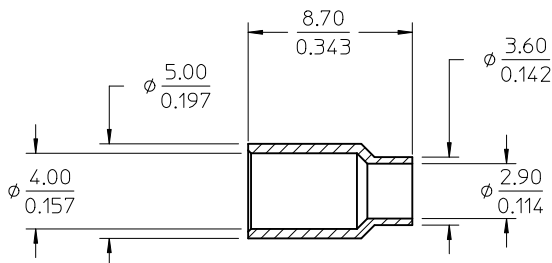


MATERIALS AND FINISHES

- BODY, NUT: BRASS
PLATED GOLD
- CRIMP TUBE: BRASS
PLATED NICKEL
- CONTACT: BERYLLIUM COPPER
PLATED GOLD
- INSULATOR: TEFLON
- LOCK WASHER: PHOSPHOR BRONZE
PLATED GOLD



RECOMMENDED PANEL CUTOUT
MAX PANEL THICKNESS 1.96/.077



RECOMMENDED CABLE STRIP

PART NO.: 73391-0030

PS-89675-346	PRODUCT SPECIFICATION
SPECIFICATION	DESCRIPTION

73391-0031	73391-0030 BY TRAY (20 CAV.)
PART NO.	PACKAGING

<p>CHANGE REMOVE AI PS-73391-009 ADD STRIP VIEW ADD HEX SIZE ADD CABLE ASSEMBLY VIEW CRIMP TUBE PLATING WAS GOLD</p> <p>EC NO: URF2010-0549 DRWN:JWIENER 2010/04/01 CHKD:SSS 2010/04/07 APPR:JWIENER 2010/04/08</p> <p>REV C4</p>	<p>QUALITY SYMBOLS</p> <p>▽=0</p> <p>▽=0</p>	<p>GENERAL TOLERANCES (UNLESS SPECIFIED)</p> <table border="1"> <tr> <th></th> <th>mm</th> <th>INCH</th> </tr> <tr> <td>4 PLACES ±</td> <td>---</td> <td>---</td> </tr> <tr> <td>3 PLACES ±</td> <td>---</td> <td>---</td> </tr> <tr> <td>2 PLACES ±</td> <td>---</td> <td>---</td> </tr> <tr> <td>1 PLACE ±</td> <td>---</td> <td>---</td> </tr> </table> <p>ANGULAR ± 2 °</p>		mm	INCH	4 PLACES ±	---	---	3 PLACES ±	---	---	2 PLACES ±	---	---	1 PLACE ±	---	---	<p>DIMENSION STYLE</p> <p>MM/IN</p> <p>DRAWN BY IRIS DATE 2003/12/24</p> <p>CHECKED BY KERRIE DATE 2003/12/24</p> <p>APPROVED BY JWIENER DATE 2010/04/08</p>	<p>SCALE</p> <p>DESIGN UNITS</p> <p>METRIC</p> <p>THIRD ANGLE PROJECTION</p>	<p>TITLE</p> <p>SMA JACK 50 OHMS RG316 BULKHEAD MOUNT SMA-JC</p>	<p>MATERIAL NO.</p> <p>SEE TABLE</p>	<p>DOCUMENT NO.</p> <p>SD-73391-0030</p>	<p>SHEET NO.</p> <p>1 OF 1</p>
		mm	INCH																				
	4 PLACES ±	---	---																				
	3 PLACES ±	---	---																				
2 PLACES ±	---	---																					
1 PLACE ±	---	---																					
<p>DRAFT WHERE APPLICABLE MUST REMAIN WITHIN DIMENSIONS</p>		<p>SIZE</p> <p>THIS DRAWING CONTAINS INFORMATION THAT IS PROPRIETARY TO MOLEX INCORPORATED AND SHOULD NOT BE USED WITHOUT WRITTEN PERMISSION</p>	<p>MOLEX MOLEX INCORPORATED</p>																				