

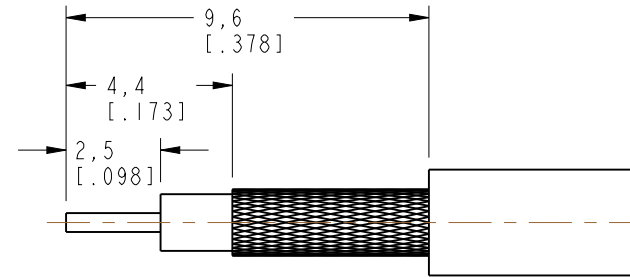
NOTES:

1. MATERIAL AND FINISH (PLATING THICKNESS IN MICRO-INCHES):  
 BODY - BRASS, GOLD PLATING  
 CONTACT - BRASS, GOLD PLATING  
 INSULATOR - PTFE, NATURAL
2. ELECTRICAL:  
 A. IMPEDANCE: 50 OHM  
 B. FREQUENCY RANGE: DC 0-12.4 GHz  
 C. VSWR (RETURN LOSS): 1.3 MAX.  
 D. DIELECTRIC WITHSTANDING VOLTAGE: 1000 VRMS. MIN.
3. MECHANICAL:  
 A. DURABILITY: 500 CYCLES MIN.  
 B. TEMPERATURE RANGE: -40°C TO +165°C
4. CRIMPED FERRULE  
 HEX CRIMP SIZE .128"
5. CRIMPED CONTACT PIN  
 SQ. CRIMP SIZE .052"
6. SHOWS CABLE ENTRY DIMENSIONS
7. PACKAGING:  
 A. QUANTITY: SINGLE PACK  
 B. BAG TO BE MARKED: AMPHENOL RF  
 132117RP  
 DATE CODE

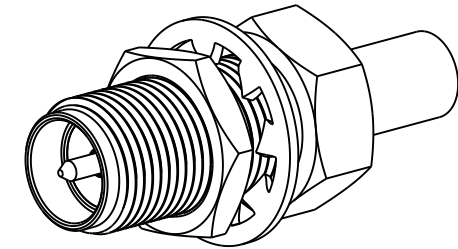
THIRD ANGLE PROJ.

REVISIONS

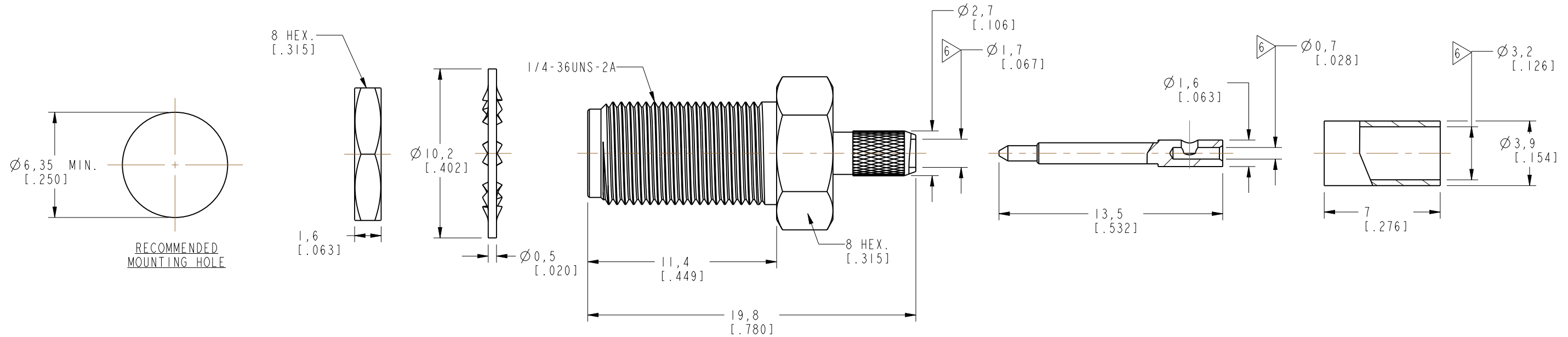
REV	DESCRIPTION	DATE	ECO	APPR
NC	INITIAL RELEASE	01/25/00		
A	UPDATE DRAWING FORMAT	02/19/07		
B	REVISE CRIMP NOTES	06/14/07		
C	REVISE CRIMP NOTES, REMOVE NOTE 2	09/03/07		
D	SYNC. THE DRAWINGS, ADD MOUNTING HARDWARE	06-Jun-18	8272	NB



RECOMMENDED CABLE STRIPPING DIM'S



SCALE 3.000



**CUSTOMER OUTLINE DRAWING**

ALL OTHER SHEETS ARE FOR INTERNAL USE ONLY

UNLESS OTHERWISE SPECIFIED, DIMENSIONS ARE IN METRIC AND TOLERANCES ARE:  
 <0.5mm ±0.05mm    0.5 - 6mm ±0.1mm    6 - 30mm ±0.2mm    30 - 120mm ±0.3mm    ANGLES ±1°

NOTICE - These drawings, specifications, or other data (1) are, and remain the property of Amphenol corp. (2) must be returned upon request; and (3) are confidential and not to be disclosed to any person other than those to whom they are given by Amphenol Corp. the furnishing of these drawings, specifications, or other data by Amphenol Corp., or to any other person to anyone for any purpose is not to be regarded by implication or otherwise in any manner licensing, granting rights to permitting such holder or any other person to manufacture, use or sell any product, process or design, patented or otherwise, that may in any way be related to or disclosed by said drawings, specifications, or other data.

MATERIAL	DRAWN	DATE	TITLE		Amphenol RF www.amphenolrf.com
SEE NOTE	K.SONG	30-May-18	SMA R/P CRIMP JACK (FOR RG-174/U, 188A/U, 316/U, LMR-100A)		
REFERENCE AND CONFIGURATION LEVEL:	ENGINEER	DATE	SCALE: 4.0:1.0 SHEET 3 OF 3		DRAWING NO. RSMA612IA2-002-3GT50G-50
FINISH	G.R.S.	09/03/07	DWG SIZE B		ITEM NO. 61612IAABA2GA5F
	APPROVED	DATE	REV D		PART NO. 132117RP
	K.CAPOZZI	06-Jun-18			