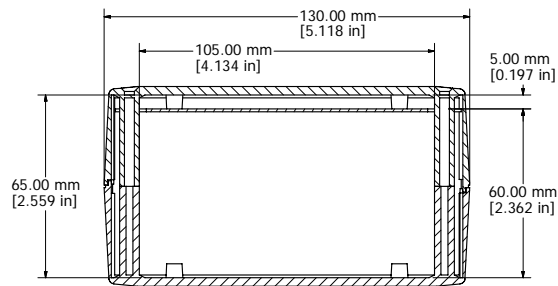
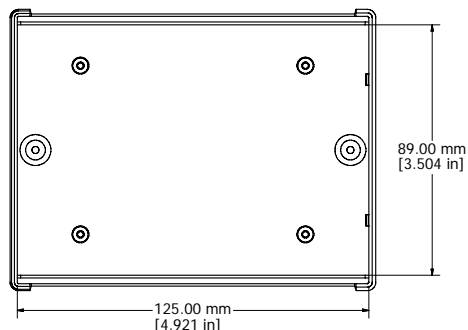


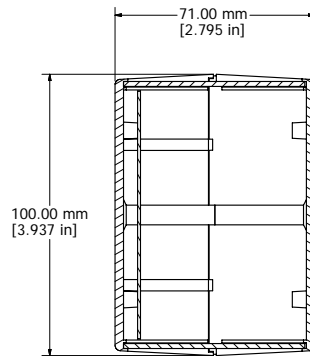
ASSEMBLY - BOTTOM



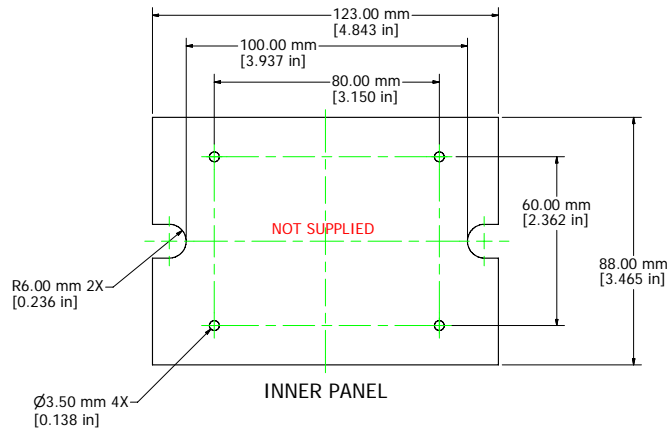
SECTION B-B



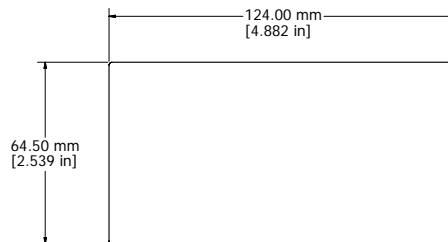
BASE - INSIDE



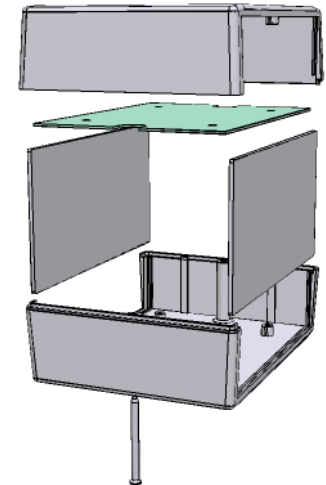
SECTION A-A



INNER PANEL



SIDE PANEL



Note:

Enclosures can be Factory Modified (Milling, Drilling, Printing etc.)
 Contact Factory mjm@hammondmfg.com for quotes
 Solid models of this enclosure available in STEP or IGES Format.

RM2015L
Material: ABS (UL94-HB), Light Gray color
Lid Screws: M3 x 40
Circuit Board Screws, 4 Supplied (M3 self tap)
Suggested Lid Screw Torque: 30 ozf-in (21 cN-m)



**HAMMOND
 MANUFACTURING™**

RM2015L
www.hammondmfg.com