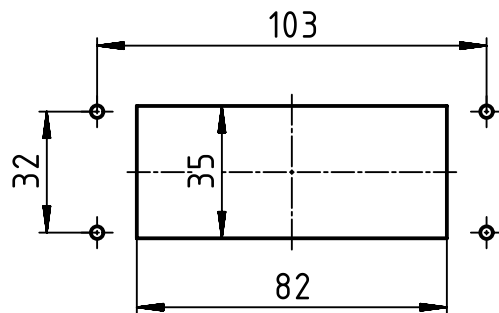



(1:2) panel cut out



	All rights reserved Department EL PD - DE	All Dimensions in mm Original Size DIN A4		Scale 1:1	Free size tol.	Ref.
		HARTING Electric GmbH & Co. KG D-32339 Espelkamp	Created by PRIESTER	Inspected by SCHNIEDER	Standardisation SCHMIDTM	Date 2014-03-25
Title Han 16B-HBM double lever black						Doc-Key / ECM-Nr. 100196968/UGD/002/C 500000071435
Type TB				Number 09 30 716 0301ML		Rev. C
						Page 1/1