

4

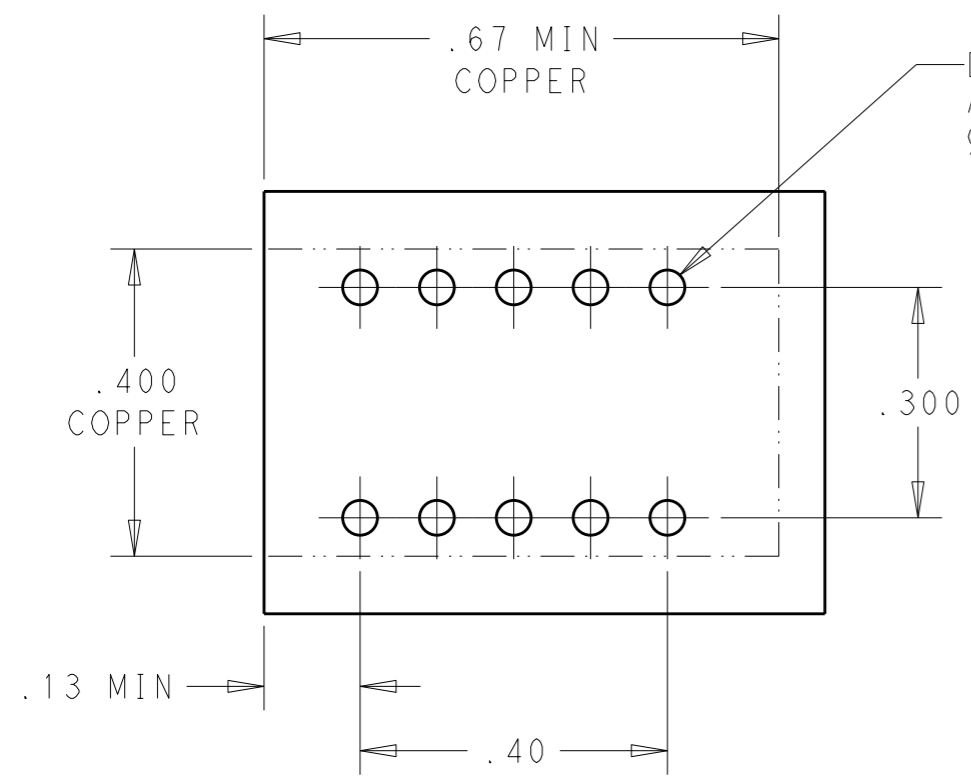
3

2

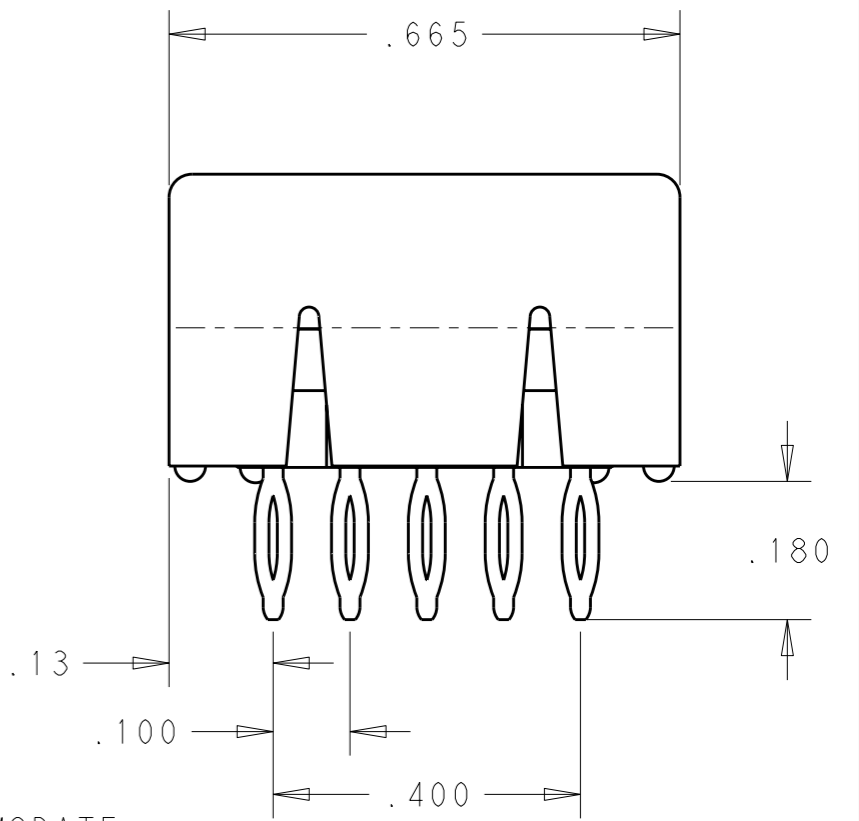
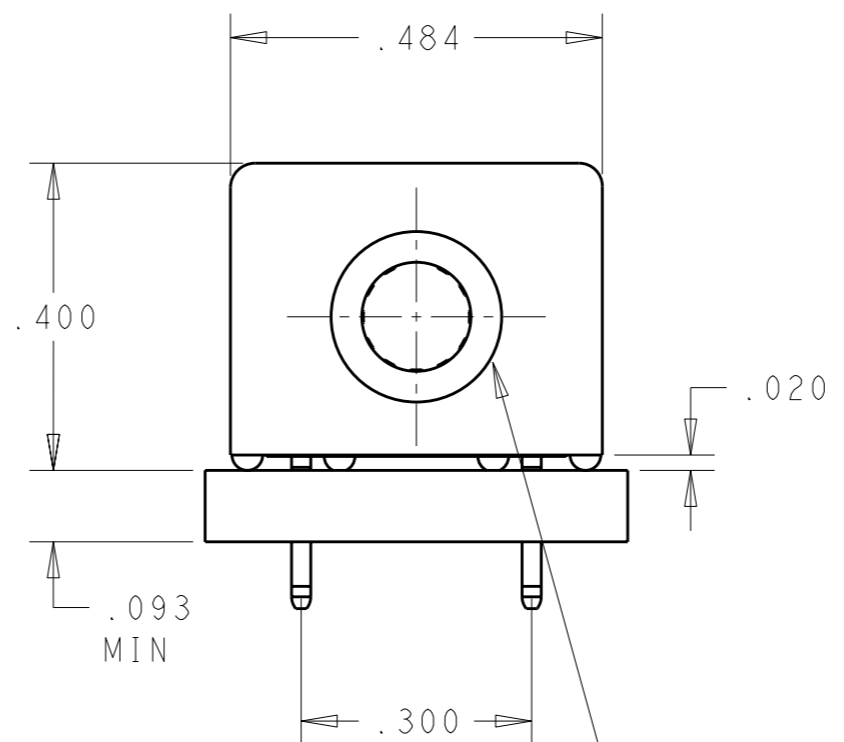
1

THIS DRAWING IS UNPUBLISHED. RELEASED FOR PUBLICATION 20
 © COPYRIGHT 20 TE ALL RIGHTS RESERVED.

LOC	DIST	REVISIONS				
P	LTR	DESCRIPTION	DATE	DWN	APVD	
GP	00	B	REV PER ECO-11-007678	03JUN2011	RG	DO



DRILL HOLE $\varnothing 0.0453 \pm .001$
 AFTER PLATING
 $\varnothing .043 / .037$
 10X



TO ACCOMODATE
 $\varnothing .142$ PIN

- PART NUMBER CHANGES AND/OR DESIGN CHANGES AFFECTING ITEM INTERCHANGEABILITY REQUIRE PRIOR TO APPROVAL AND AUTHORIZATION BY REVISION TO THIS DRAWING.
- ITEMS PROVIDED TO THIS SPECIFICATION TO BE IDENTIFIED ON CONTAINER WITH THE FOLLOWING INFORMATION: PART NUMBER & DATE CODE OF MGR

3 MATERIALS:
 INSULATOR - POLYESTER, GLASS FILLED UL 94V-0 RATED, COLOR: BLACK
 MODULE - ZINC ALLOY
 COMPLIANT PINS - PHOSPHOR BRONZE
 CROWN - BeCu

4 FINISH:
 MODULE - SILVER PLATED .000200 MIN THK. OVER NICKEL .000040 MIN THK.
 COMPLIANT PINS - SILVER PLATED .000200 MIN THK. OVER NICKEL .000040 MIN THK.
 CROWN - GOLD PLATED .000030 MIN THK. OVER NICKEL .000040 MIN THK.

6643272-1
 PART NUMBER

THIS DRAWING IS A CONTROLLED DOCUMENT.		DWN CANT/GRZYBOWSKI	03JUN2011		TE Connectivity
DIMENSIONS: INCHES		CHK -	-		
TOLERANCES UNLESS OTHERWISE SPECIFIED:		APVD CHAU/ORRIS	03JUN2011		NAME ICCON SOCKET, PARALLEL COMPLIANT PIN
0 PLC ±- 1 PLC ±- 2 PLC ±.020 3 PLC ±.010 4 PLC ±- ANGLES ±.5		PRODUCT SPEC -	APPLICATION SPEC -		SIZE A3
MATERIAL 3	FINISH 4	WEIGHT -	CAGE CODE 00779	DRAWING NO C-6643272	RESTRICTED TO -
CUSTOMER DRAWING			SCALE 4:1	SHEET 1 OF 1	REV B