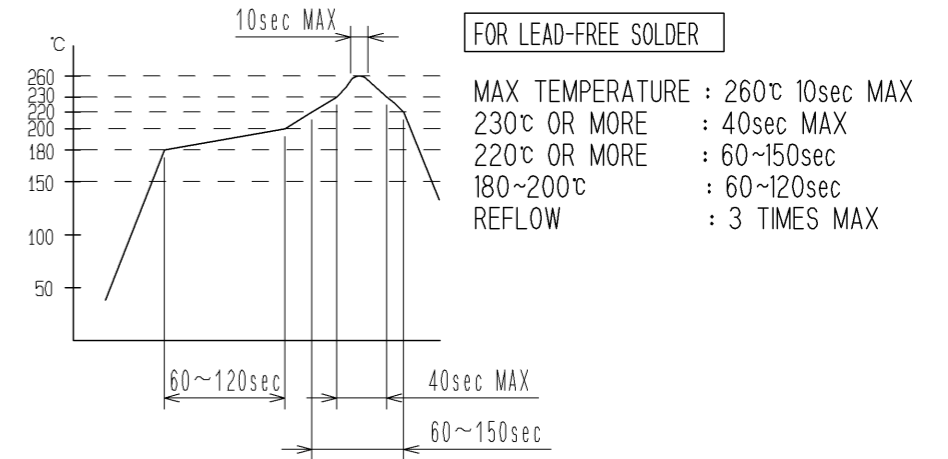
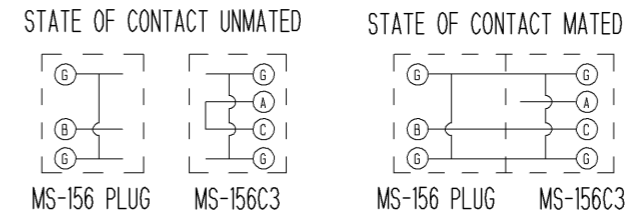


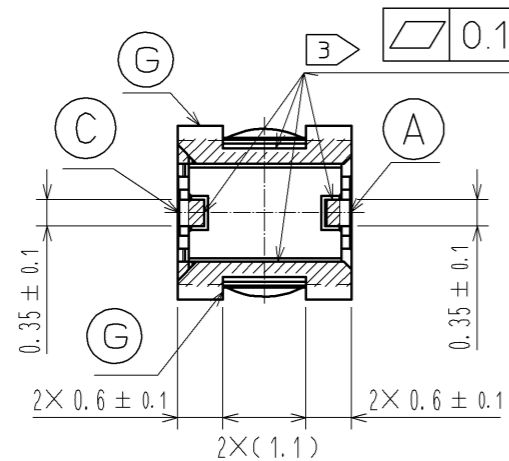
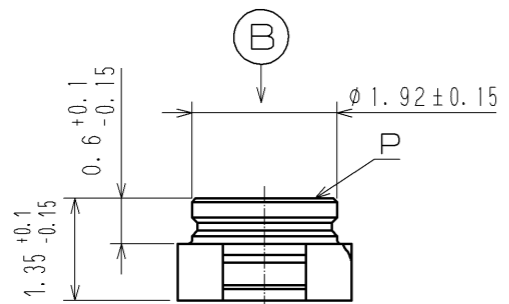
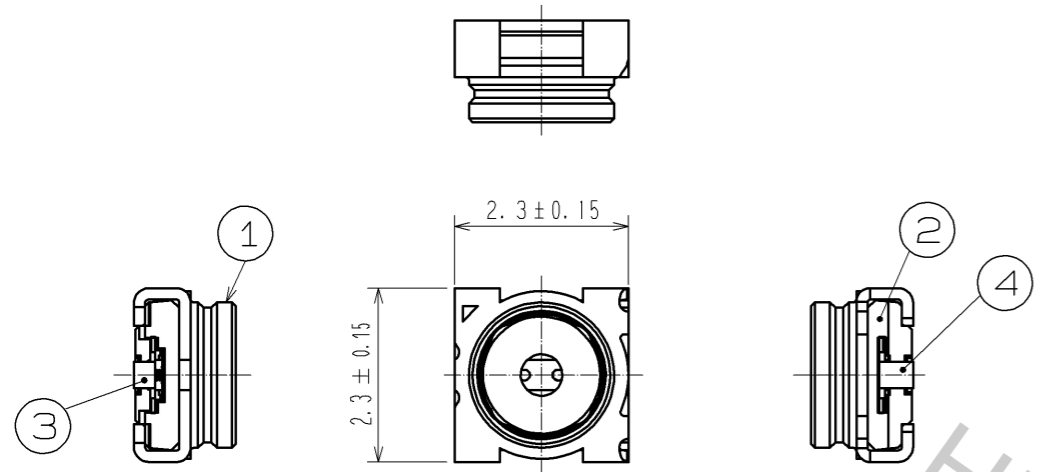
RECOMMENDED REFLOW TEMPERATURE PROFILE



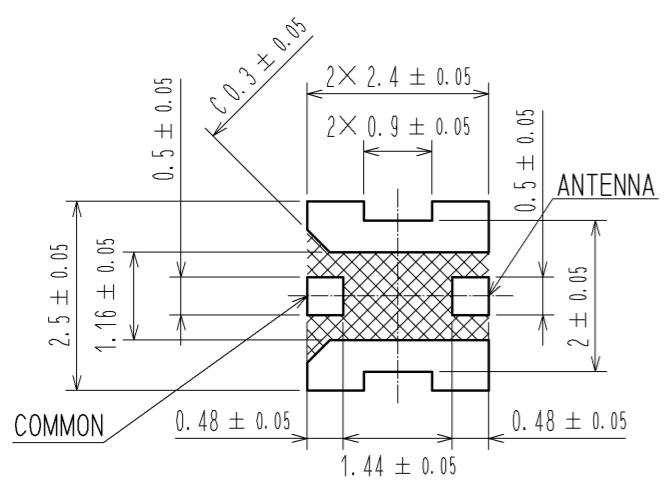
NOTE 1. Circuit shall be as follows.



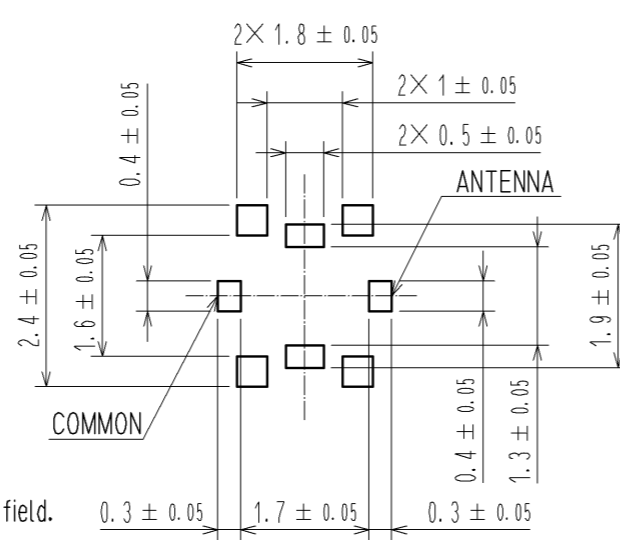
2. For use of this product, be sure to put contact area of plug on position P perpendicularly.
3. Lead co-planarity is to be 0.1mm MAX.
4. Do not use the washing process.
5. Please do not change the specified layout of the PCB dimension and the layout of the stencil plate dimension and thickness otherwise could not be responsible for the solderability of the product.
6. This product is intended to be used for circuit inspection only. Consult us if any other application is considered.
7. Do not use hand soldering for mounting of MS-156C3.



5 SPECIFIED PCB LAYOUT



5 SPECIFIED STENCIL PLATE THICKNESS: 0.1mm

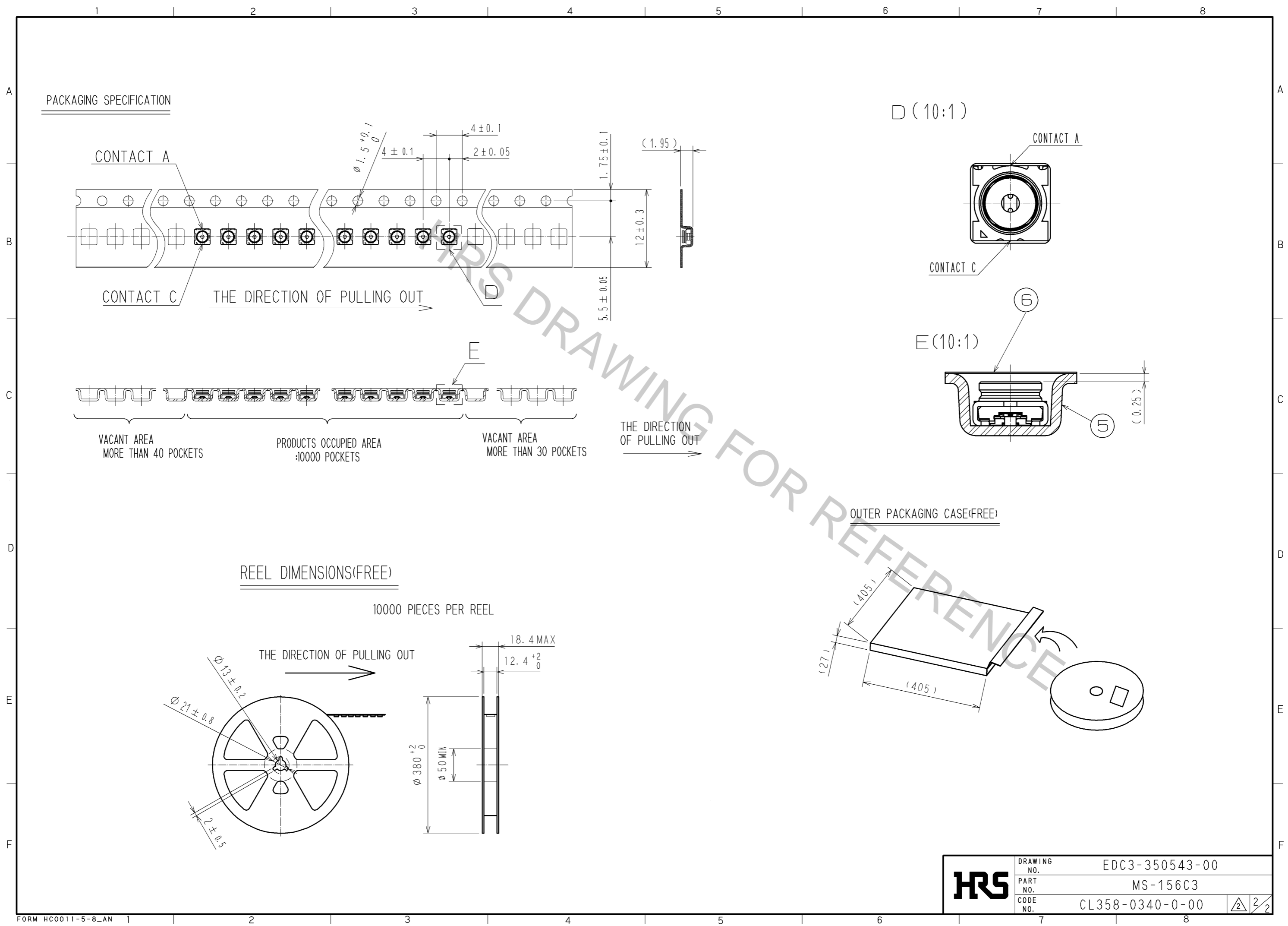


: This area must be free of conductive traces and resist field.

ROHS COMPLIANT      HALOGEN FREE COMPLIANT

3	CU-NI-SI-ALLOY	SELECTIVE GOLD PLATING	6	PET	
2	PA-M		5	PS	
1	PHOSPHOR BRONZE	GOLD PLATING	4	PHOSPHOR BRONZE	SELECTIVE GOLD PLATING
NO.	MATERIAL	FINISH . REMARKS	NO.	MATERIAL	FINISH . REMARKS
UNITS		SCALE	COUNT	DESCRIPTION OF REVISIONS	
mm		10 : 1		1	DIS-D-003384
APPROVED : MH. YAMANE			13.11.29	DESIGNED	DS. YAMAKOSHI
CHECED : NK. NINOMIYA			13.11.28	CHECKED	NK. NINOMIYA
DESIGNED : TS. NAKAGAWA			13.11.27	DATE	14.09.02
DRAWN : TS. NAKAGAWA			13.11.27	DRAWING NO. EDC3-350543-00	
				PART NO. MS-156C3	
HIROSE ELECTRIC CO., LTD.				CODE NO. CL358-0340-0-00	

Apr.1.2017 Copyright 2017 HIROSE ELECTRIC CO., LTD. All Rights Reserved.



<b>HRS</b>	DRAWING NO.	EDC3-350543-00	2/2
	PART NO.	MS-156C3	
	CODE NO.	CL358-0340-0-00	