

CUSTOMER PRINT

PART NUMBER: 61XPCCM FAM

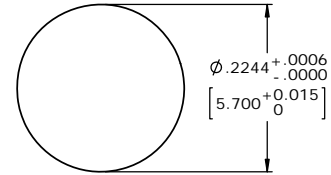
CXA PART NO.	NO. OF POS.
613PCCM	3
614PCCM	4

NOTES:
 1. FINISHED PRODUCT TO BE PACKAGED 100 PIECES PER PARTITIONED BOX.
 2. CONNECTOR ASSEMBLY SEALED WITH EPOXY AT PC TAIL END.

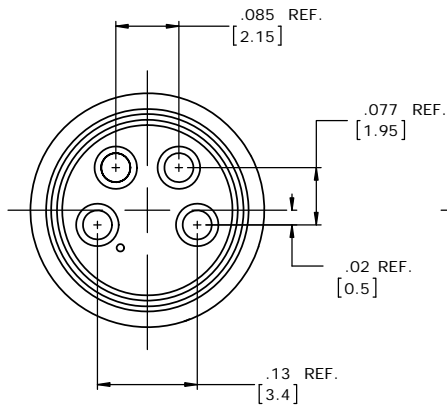
CUSTOMER APPROVAL

THIS DOCUMENT CONTAINS CONFIDENTIAL INFORMATION PROPRIETARY TO CONXALL CORPORATION. ANY REPRODUCTION, DISCLOSURE, OR USE OF THIS DOCUMENT /INFORMATION IS EXPRESSLY PROHIBITED UNLESS AUTHORIZED IN WRITING BY CONXALL CORPORATION.

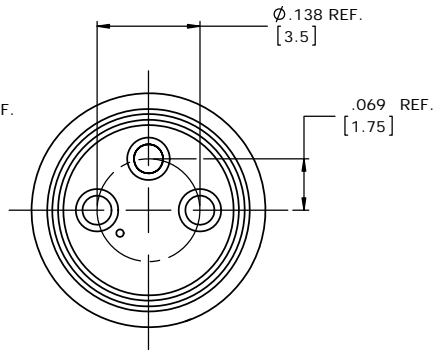
APPROVED BY: _____
 DATE: _____



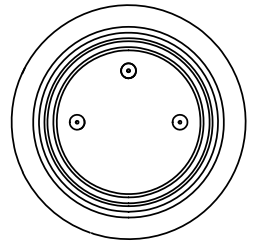
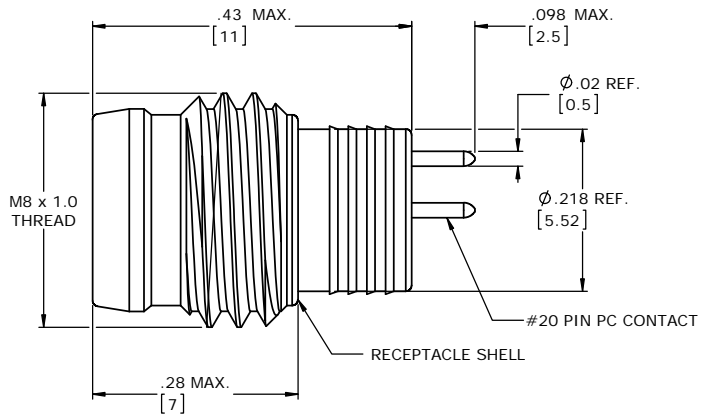
PANEL CUT-OUT



MATING FACE
4 POSITIONS



MATING FACE
3 POSITIONS



P.C. TAIL END

PROPRIETARY

THIS DOCUMENT CONTAINS CONFIDENTIAL INFORMATION PROPRIETARY TO CONXALL CORPORATION. ANY REPRODUCTION, DISCLOSURE, OR USE OF THIS DOCUMENT /INFORMATION IS EXPRESSLY PROHIBITED UNLESS AUTHORIZED IN WRITING BY CONXALL CORPORATION.

DIMENSIONS INCHES [MM]

RoHS COMPLIANT

B	AB	08-09-16	UPDATED MANUFACTURING NOTES PER ECR 9070.
A	AB	03-16-16	DRAWING CREATED PER DOR 10-2500JS-2
REV.	INT.	DATE	DESCRIPTION
ORIG. DRAWN BY: GLT		DATE: 07-01-12	 601 E. WILDWOOD VILLA PARK, IL 60181
CHECKED BY:			
APPROVED BY:			TITLE: MALE RECEPTACLE, M8 THREAD STYLE OM (SHORT) NANO-MIZER
SCALE: NTS	SIZE: B	SHEET: 1 OF 1	CUSTOMER: STANDARD PRODUCT
FILE: SAME AS P/N	DIRECTORY: SLW	PART NUMBER: 61XPCCM FAM	REV: B