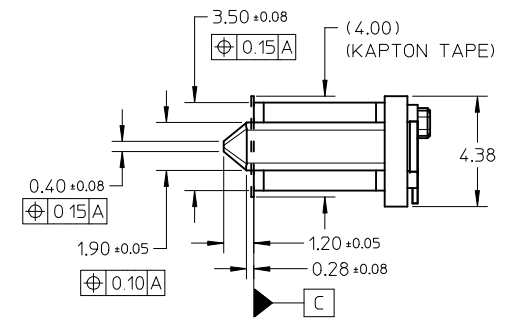
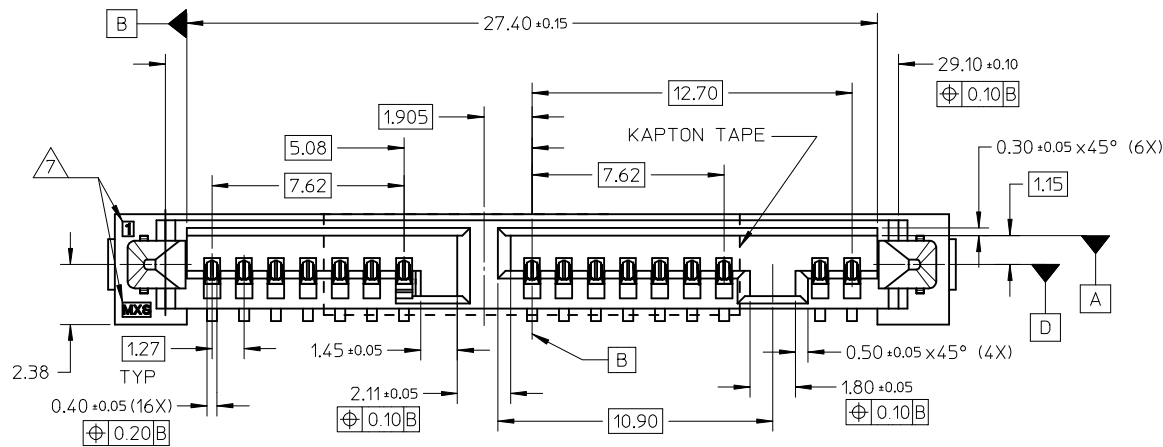
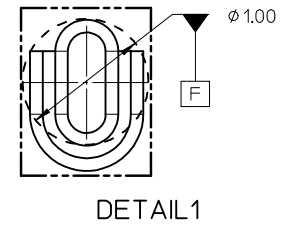
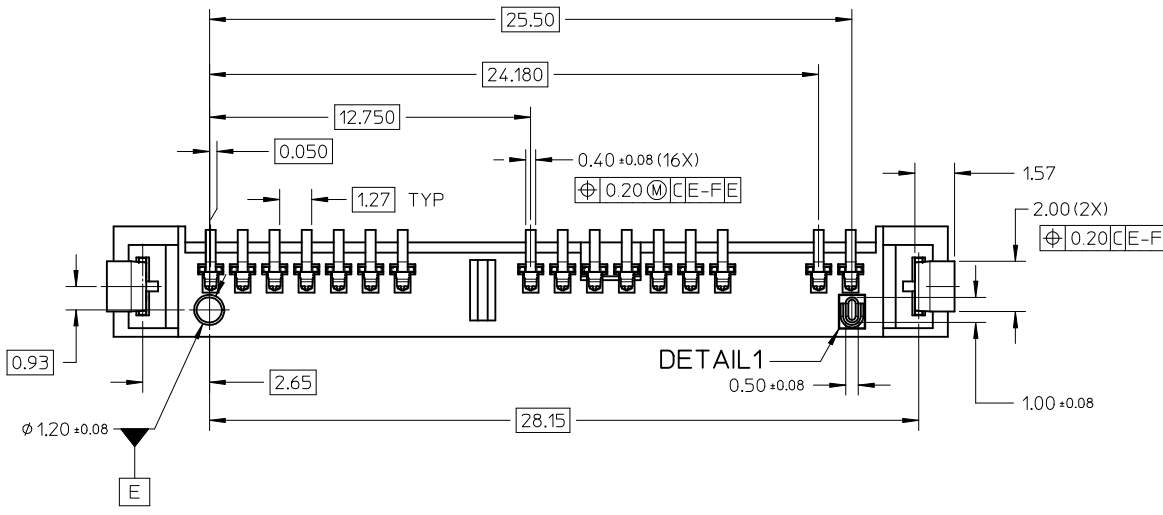
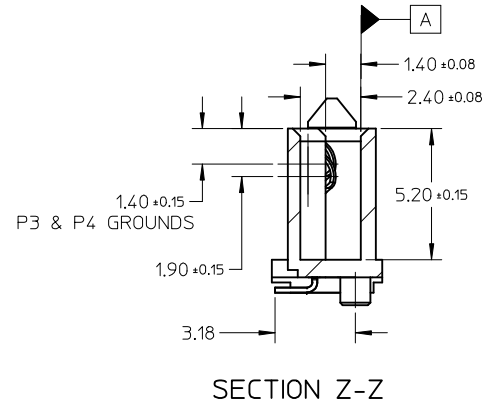
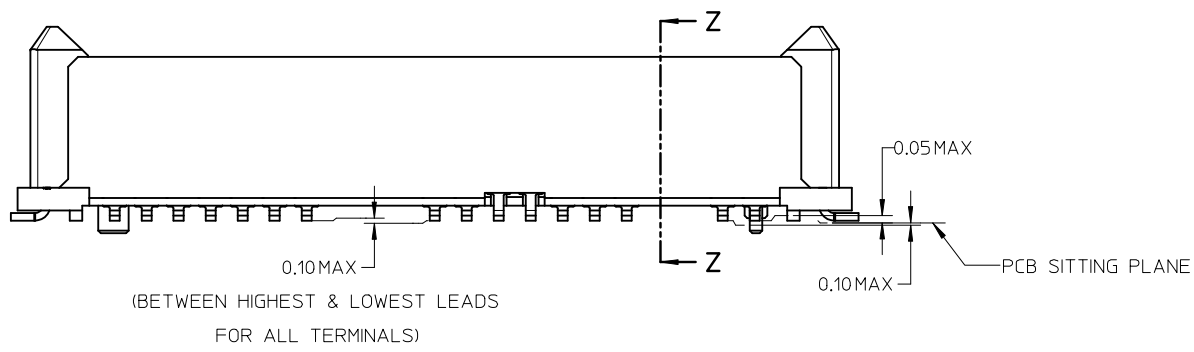


NOTES:

1. MATERIAL : LCP, GLASS FILLED, UL 94V-0, BLACK
TERMINAL/SOLDER TAB : COPPER ALLOY
2. FINISHES: SEE TABLE
3. PRODUCT SPECIFICATION : SEE TABLE
4. PACKAGING SPECIFICATION : TAPE AND REEL
5. MATES WITH : MOLEX MICRO SATA PLUG
6. THIS PRODUCT IS COMPLIANT TO RoHS DIRECTIVE WITH THE FOLLOWING BANNED SUBSTANCES - LEAD, MERCURY, CADMIUM, HEXAVALENT CHROMIUM, POLYBROMINATED BIPHENYLS AND POLYBROMINATED DIPHENYLS ETHERS.
7. MOLEX LOGO AND CAVITY NUMBER LOCATED APPROXIMATELY AS SHOWN
8. NON FUNCTIONAL CORING MAY VARY

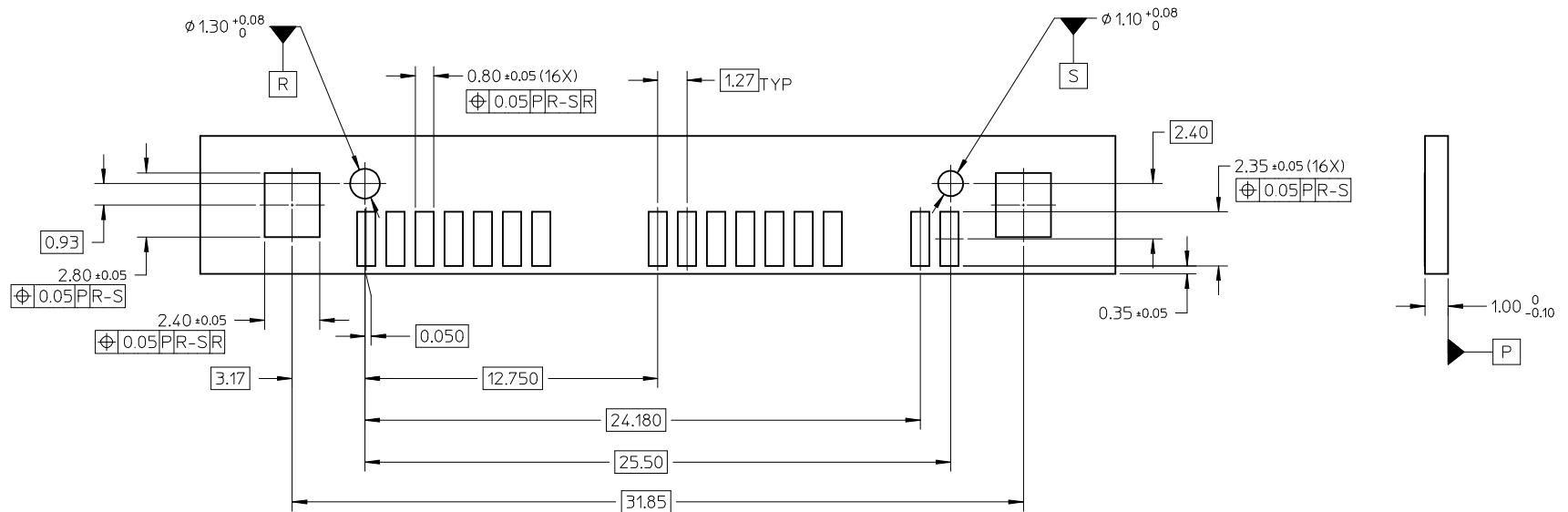


SEE SHEET 4 EC NO: S2009-0967 DRWN:GMENARLY 2009/08/04 CHKD:CGOH 2009/08/04 APPR:BOKOK 2009/08/05 A1	QUALITY SYMBOLS ▽=0 ◻=0	GENERAL TOLERANCES (UNLESS SPECIFIED)		DIMENSION STYLE MM ONLY		SCALE NTS	DESIGN UNITS METRIC	THIRD ANGLE PROJECTION			
			mm	INCH	DRAWN BY GMENARLY	DATE 2009/03/17	TITLE MICRO SATA RECEPTACLE VERTICAL SMT 1.8 INCH SSD/HDD				
			4 PLACES	± ---	± ---	CHECKED BY CGOH	DATE 2009/05/20	MOLEX MOLEX INCORPORATED			
			3 PLACES	± ---	± ---	APPROVED BY BOKOK	DATE 2009/05/20	MATERIAL NO.	DOCUMENT NO.	SHEET NO.	
	2 PLACES	± 0.20	± ---	ANGULAR ± 3 °		SEE TABLE SD-78492-001					
	1 PLACE	± ---	± ---	DRAFT WHERE APPLICABLE MUST REMAIN WITHIN DIMENSIONS		THIS DRAWING CONTAINS INFORMATION THAT IS PROPRIETARY TO MOLEX INCORPORATED AND SHOULD NOT BE USED WITHOUT WRITTEN PERMISSION					
				SIZE A3							



SEE SHEET 4 EC NO: S2009-0967 DRWN:GMENARLY CHKD:CGOH APPR:BOKOK	2009/08/04 2009/08/04 2009/08/05	QUALITY SYMBOLS ▽=0 ◻=0	GENERAL TOLERANCES (UNLESS SPECIFIED)	DIMENSION STYLE MM ONLY	SCALE NTS	DESIGN UNITS METRIC	THIRD ANGLE PROJECTION
	DESCRIPTION A1	4 PLACES ± --- ± --- 3 PLACES ± --- ± --- 2 PLACES ± 0.20 ± --- 1 PLACE ± --- ± --- ANGULAR ± 3 °	mm INCH DRAWN BY GMENARLY CHECKED BY CGOH APPROVED BY BOKOK DATE 2009/03/17 DATE 2009/05/20 DATE 2009/05/20	TITLE MICRO SATA RECEPTACLE VERTICAL SMT 1.8 INCH SSD/HDD	MATERIAL NO. SEE TABLE	DOCUMENT NO. SD-78492-001	SHEET NO. 2 OF 4
	DRAFT WHERE APPLICABLE MUST REMAIN WITHIN DIMENSIONS	SIZE A3	THIS DRAWING CONTAINS INFORMATION THAT IS PROPRIETARY TO MOLEX INCORPORATED AND SHOULD NOT BE USED WITHOUT WRITTEN PERMISSION				
	MOLEX INCORPORATED						

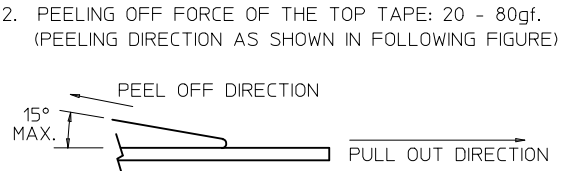
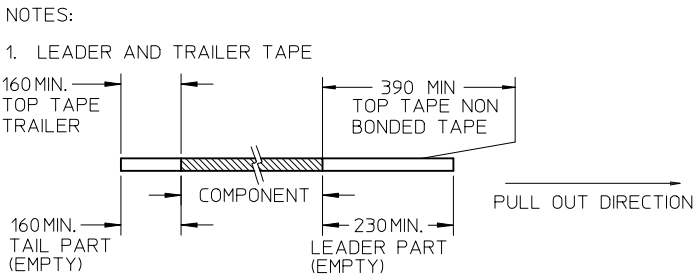
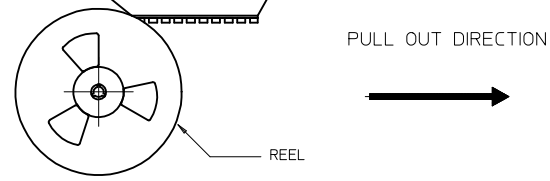
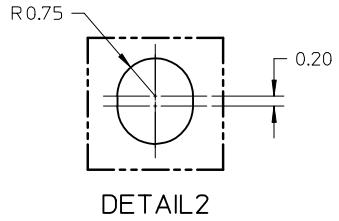
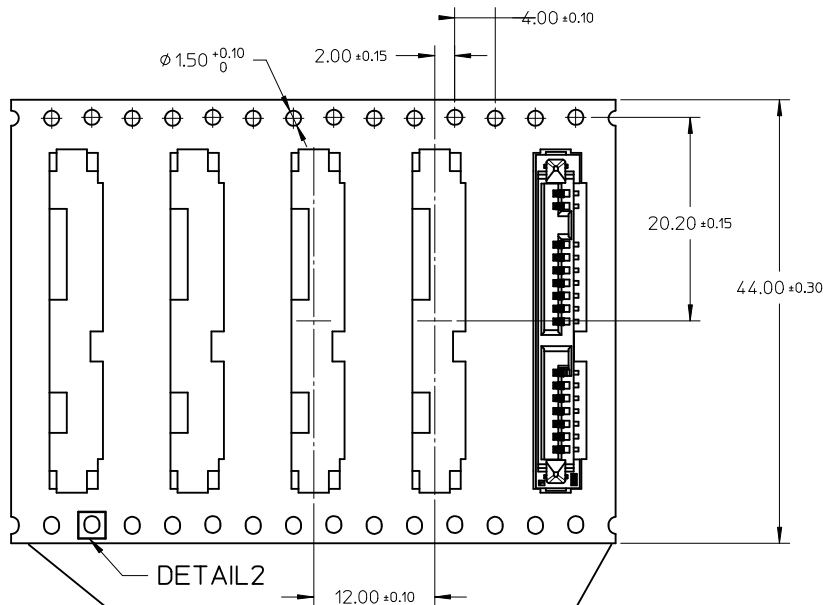
10	9	8	7	6	5	4	3	2	1
PART NUMBER		FINISHES				PRODUCT SPECIFICATIONS			
78492-0001		TERMINAL CONTACT :0.127µm MIN. SELECTIVE GOLD OVER 1.27µm MIN. NICKEL UNDERPLATE TERMINAL SOLDER TAIL :2.54µm MIN. TIN OVER 1.27µm MIN. NICKEL UNDERPLATE SOLDER TAB : 2.54µm MIN. TIN OVER 1.91µm MIN. NICKEL UNDERPLATE				PS-78492-001			
78492-0002		TERMINAL CONTACT :0.38µm MIN. SELECTIVE GOLD OVER 1.27µm MIN. NICKEL UNDERPLATE TERMINAL SOLDER TAIL :2.54µm MIN. TIN OVER 1.27µm MIN. NICKEL UNDERPLATE SOLDER TAB : 2.54µm MIN. TIN OVER 1.91µm MIN. NICKEL UNDERPLATE				PS-78492-002			
78492-0003		TERMINAL CONTACT :0.76µm MIN. SELECTIVE GOLD OVER 1.27µm MIN. NICKEL UNDERPLATE TERMINAL SOLDER TAIL :2.54µm MIN. TIN OVER 1.27µm MIN. NICKEL UNDERPLATE SOLDER TAB : 2.54µm MIN. TIN OVER 1.91µm MIN. NICKEL UNDERPLATE							



RECOMMENDED PCB LAYOUT

SEE SHEET 4 EC NO: S2009-0967 DRW:GMENARLY 2009/08/04 CHKD:CGOH 2009/08/04 APPR:BOKOK 2009/08/05	QUALITY SYMBOLS	GENERAL TOLERANCES (UNLESS SPECIFIED)		DIMENSION STYLE MM ONLY		SCALE NTS	DESIGN UNITS METRIC	THIRD ANGLE PROJECTION	
	▽=0 ◻=0	mm	INCH	DRAWN BY GMENARLY	DATE 2009/03/17	TITLE MICRO SATA RECEPTACLE VERTICAL SMT 1.8 INCH SSD/HDD			
		4 PLACES ± --- ± ---	3 PLACES ± --- ± ---	CHECKED BY CGOH	DATE 2009/05/20	MOLEX INCORPORATED			
		2 PLACES ± 0.20 ± ---	1 PLACE ± --- ± ---	APPROVED BY BOKOK	DATE 2009/05/20	DOCUMENT NO. SD-78492-001		SHEET NO. 3 OF 4	
	ANGULAR ± 3 °		DRAFT WHERE APPLICABLE MUST REMAIN WITHIN DIMENSIONS		SEE TABLE		THIS DRAWING CONTAINS INFORMATION THAT IS PROPRIETARY TO MOLEX INCORPORATED AND SHOULD NOT BE USED WITHOUT WRITTEN PERMISSION		

PACKAGING INFORMATION



- 3. TAPE AND REEL SPECIFICATION IS AS PER EIA-481.
- 4. TAPE AND REEL QUANTITY : 550 PCS/ REEL.
- 5. THE TAPE IS TREATED FOR ANTI-STATIC.

REV. CARRIER TAPE EC NO: S2009-0967 DRWN:GMENARLY 2009/08/04 CHKD:CGOH 2009/08/04 APPR:BOKOK 2009/08/05	QUALITY SYMBOLS	GENERAL TOLERANCES (UNLESS SPECIFIED)	DIMENSION STYLE	SCALE	DESIGN UNITS	THIRD ANGLE PROJECTION	
	▼=0 □=0	mm INCH 4 PLACES ± --- ± --- 3 PLACES ± --- ± --- 2 PLACES ± 0.20 ± --- 1 PLACE ± --- ± --- ANGULAR ± 3 °	MM ONLY	NTS	METRIC		
	DESCRIPTION	DRAFT WHERE APPLICABLE MUST REMAIN WITHIN DIMENSIONS	DRAWN BY: GMENARLY CHECKED BY: CGOH APPROVED BY: BOKOK	DATE: 2009/03/17 DATE: 2009/05/20 DATE: 2009/05/20	TITLE: MICRO SATA RECEPTACLE VERTICAL SMT 1.8 INCH SSD/HDD MOLEX INCORPORATED		
	A1	SIZE: A3	SEE TABLE	MATERIAL NO.	DOCUMENT NO.	SHEET NO.	