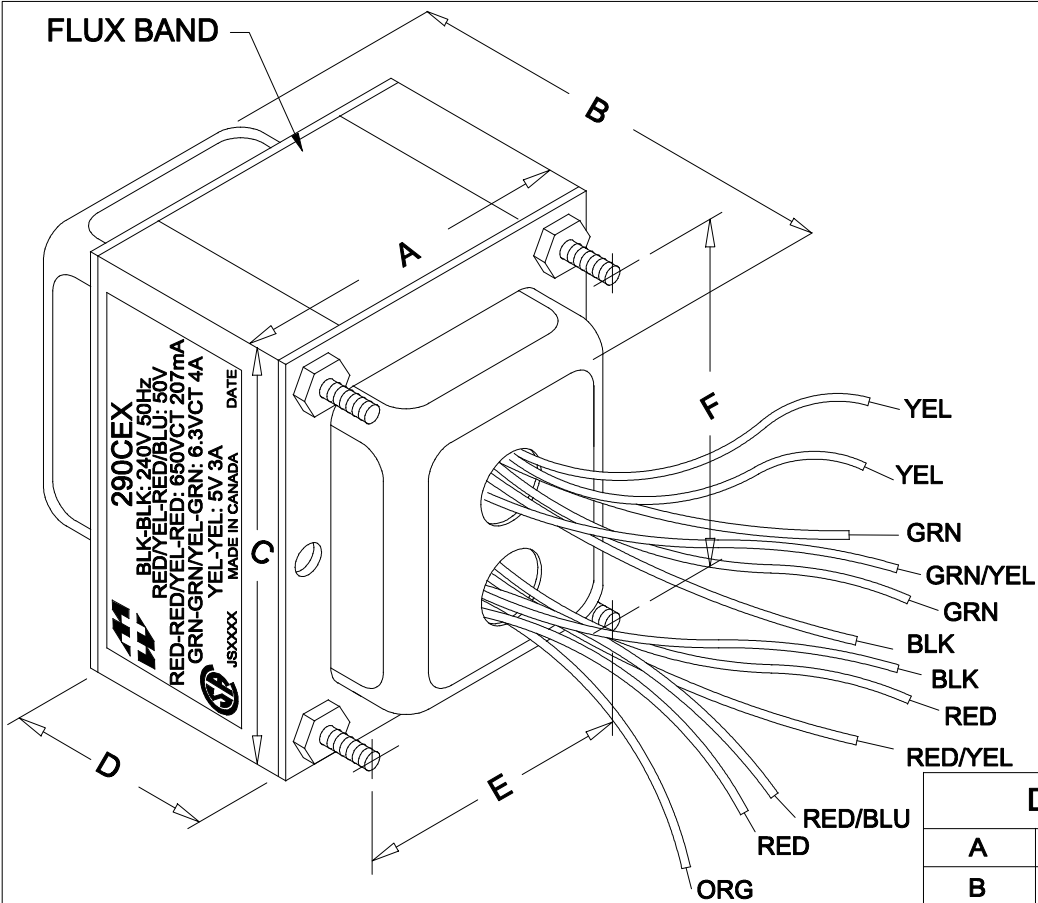


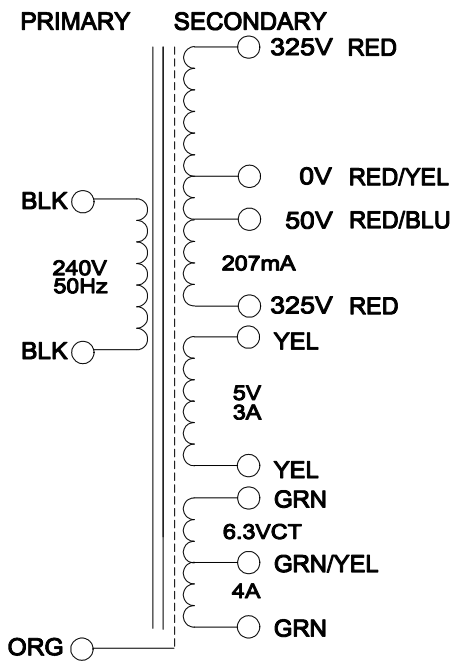
# 290CEX



**290CEX**  
 BLK-BLK: 240V 50Hz  
 RED-YEL-RED/BLU: 50V  
 RED-RED/YEL-RED: 650VCT 207mA  
 GRN-GRN/YEL-GRN: 6.3VCT 4A  
 YEL-YEL: 5V 3A  
 DATE / JSXXXX  
 MADE IN CANADA

DIMENSIONS:	
A	3.125" ± 0.063
B	4.063" ± 0.125
C	3.750" ± 0.063
D	1.975" ± 0.063
E	2.500" ± 0.063
F	3.125" ± 0.063

**NOTE: ALL LEADS 9" OUT MIN., STRIPPED .5"**



ELECTRICAL DATA:	
Turns ratio:	1 : 2.98 ( RED - RED)
Exciting Current	@ 240V, 50Hz, BLK - BLK = 250mA Max.
DCR	@ 20C, BLK - BLK = 6.171 Ω ±20%
	@ 20C, RED - RED = 83.97 Ω ±20%
	@ 20C, YEL - YEL = 0.042 Ω ±20%
	@ 20C, GRN - GRN = 0.055 Ω ±20%
Pri. Voltage	240V 50Hz
Sec. Voltage (RMS)	650VCT @ 207mA C/W 50V TAP, 5V @ 3A / 6.3VCT @ 4A
No Load Voltage	715.18VCT / 5.30V / 6.75V

**HAMMOND ELECTRONICS**  
 52 RANKIN PLACE,  
 WATERLOO, ONTARIO, N2L 3Z5.  
 PHONE (519) 886-6181  
 FAX # (519) 886-9540

TITLE		290CEX		290CEX
2	08/11/09		DR BY IOAN POP	
1	05/12/09	PRELIMINARY	I.P. DATE 07/04/08	
NO	DATE	REVISION	DIM IN(X)MM( )	