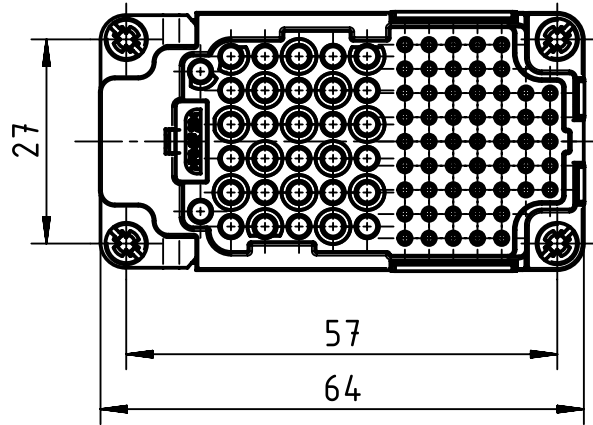
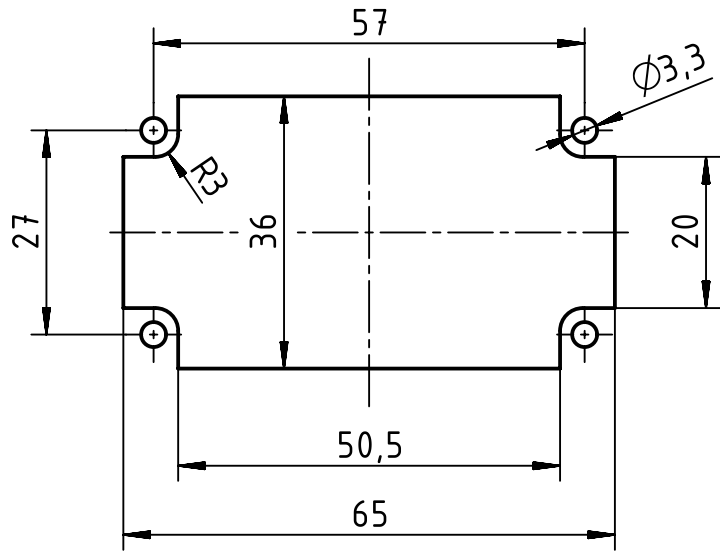
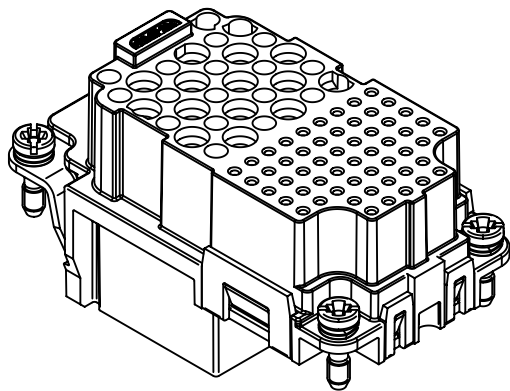
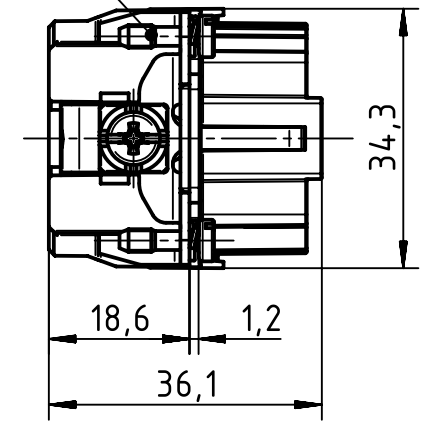


panel cut out



M3x10



	All Dimensions in mm Original Size DIN A4		Scale 1:1	Free size tol.		Ref.	
						Sub.	
	All rights reserved		Created by LONGL	Inspected by ZENGM	Standardisation SCHMIDTM	Date 2016-12-13	State Final Release
	Department EL PD - CN		Title Han K 32-55-F-C			Doc-Key / ECM-Nr. 100653112/UGD/001/A 500000112567	
HARTING (Zhuhai) Manufacturing Co., Ltd. 519085 Zhuhai, China			Type TB	Number 09 38 087 3101		Rev. A	Page 1/1