

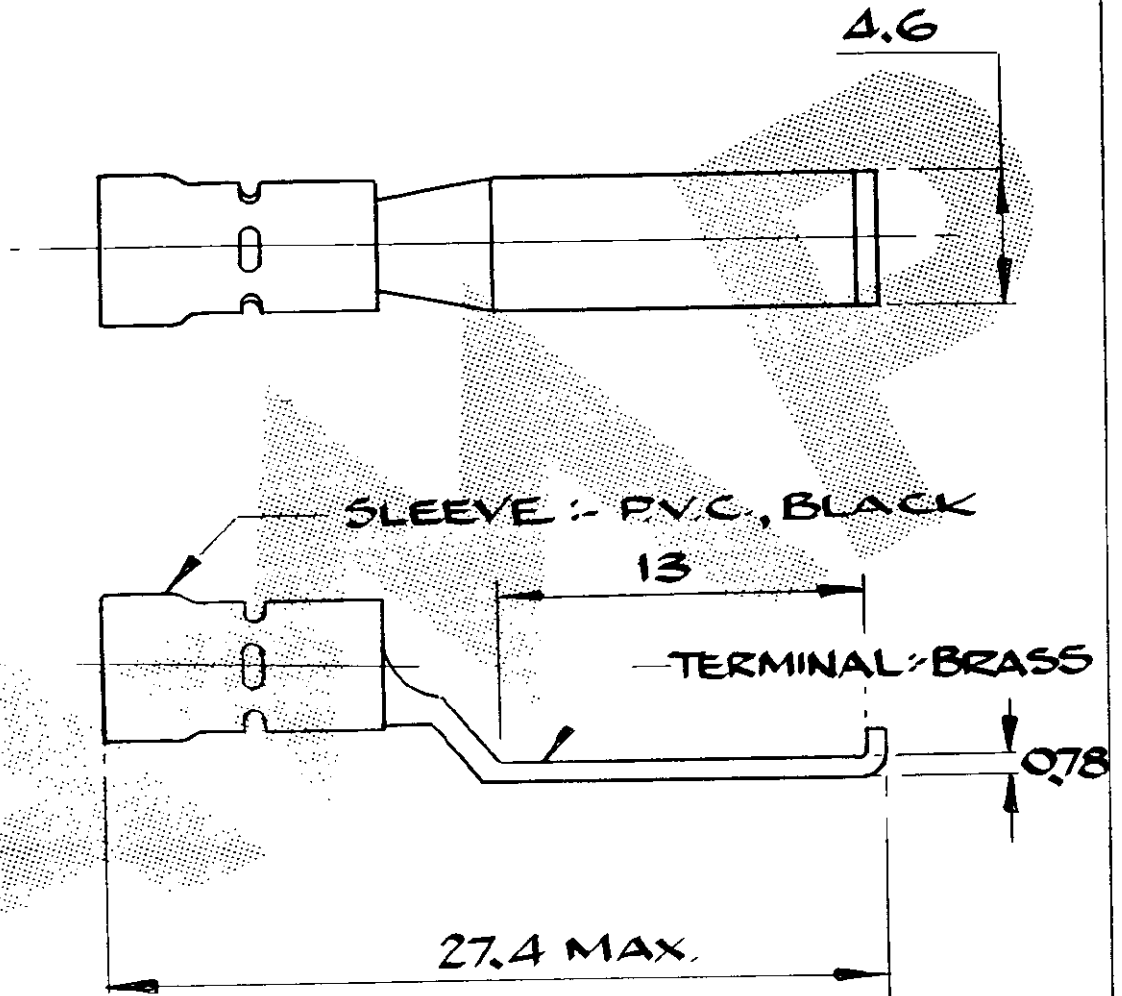
DO NOT SCALE

DIMENSIONS IN mm

METRIC



NUMBER  
C151467



SEE ABOVE 151467-0

|                                      |  |  |  |   |  |                |  |
|--------------------------------------|--|--|--|---|--|----------------|--|
| OTHER TREATMENT                      |  | FINISH   |  | MATERIAL                                |  | PART NUMBER    |  |
| CUSTOMER DWG FOR REFERENCE ONLY      |  | TOLERANCES UNLESS OTHERWISE STATED - DEC ± 0.5 ANGLES ± 1° |  | INS DIA RANGE                           |  | WIRE RANGE     |  |
|                                      |  | DR DR. TERRY   |  | 22-16                                   |  | SCALE 4:1      |  |
| D E830-0428-96 RECEIVED 3.6.96       |  | CHK W. Wilson  |  | AMP TERMINAL HOUSE of Great Britain Ltd |  | STANMORE MIDD. |  |
| C E827-0507-95 OBTOLITE DR T 3.12.96 |  | APP  |  | NAME LIPPED BLADE TERMINAL ASSY         |  | SHEET 1 of 1   |  |
| B REDRAWN RT 2449                    |  | DATE   |  | A4 E DWG NO C151467                     |  |                |  |
| ISS                                  |  | REVISION RECORD  |  |   |  |                |  |

PRINT DIST