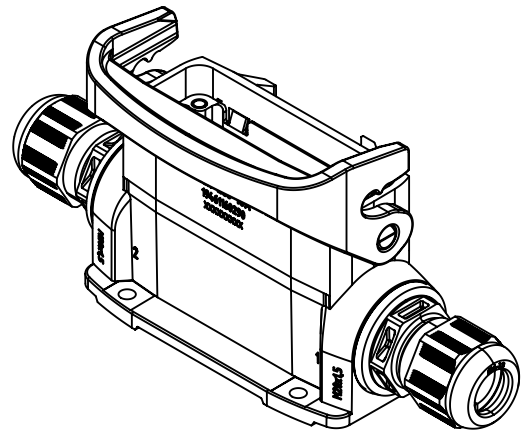
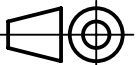



① tightening torque max. 4Nm
 ② tightening torque max. 3Nm



 All Dimensions in mm Original Size DIN A4	Scale 1:1		Free size tol.		Ref.
	Created by GRUBES		Inspected by SCHENK	Standardisation TIEMANNA	Date 2016-10-13
 All rights reserved Department EL PD - DE	Title Han-Eco 16A-HSM2-M20 w. cable gl.				Doc-Key / ECM-Nr. 100604400/UGD/001/D 500000109990
	HARTING Electric GmbH & Co. KG D-32339 Espelkamp		Type TB	Number 19 46 116 0290	