

## EMG 22-LED 7S/24

Order No.: 2952305

The illustration shows version EMG 22-LED 7S/ 5

<http://eshop.phoenixcontact.de/phoenix/treeViewClick.do?UID=2952305>Indicator module, with 7 red LEDs and common return line, input  
voltage 24 V DC

### Commercial data

EAN	4017918084400
Pack	10 pcs.
Customs tariff	85318095
Weight/Piece	0.05253 KG
Catalog page information	Page 666 (IF-2009)

### Product notes

WEEE/RoHS-compliant since:  
05/11/2006

<http://www.download.phoenixcontact.com>  
Please note that the data given here has been taken from the online catalog. For comprehensive information and data, please refer to the user documentation. The General Terms and Conditions of Use apply to Internet downloads.

### Technical data

#### General data

Input voltage	24 V DC
Current required per light indicator	Approx. 3 mA
Status display	7 LEDs
Width	22.5 mm
Height	47.5 mm

Depth	75 mm
Ambient temperature (operation)	-20 °C ... 45 °C
Ambient temperature (storage/transport)	-40 °C ... 60 °C
Mounting position	Any
Assembly instructions	In rows with zero spacing

**Connection data**

Conductor cross section solid min.	0.2 mm <sup>2</sup>
Conductor cross section solid max.	4 mm <sup>2</sup>
Conductor cross section stranded min.	0.2 mm <sup>2</sup>
Conductor cross section stranded max.	2.5 mm <sup>2</sup>
Conductor cross section AWG/kcmil min.	24
Conductor cross section AWG/kcmil max	12
Stripping length	8 mm
Screw thread	M3
Type of connection	Screw connection

**Certificates / Approvals**

Certification GOST

**Accessories**

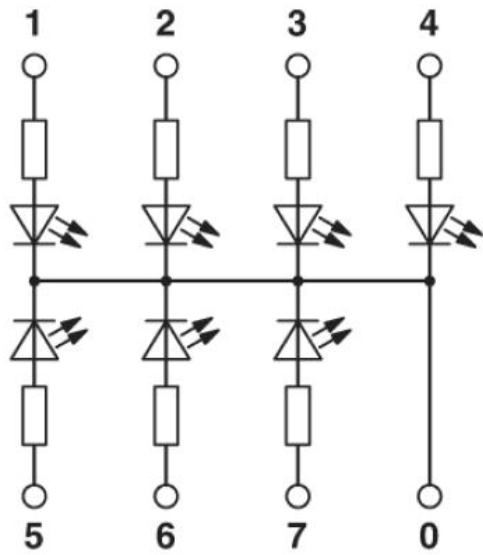
Item	Designation	Description
------	-------------	-------------

**Marking**

2947035	EMG-GKS 12	Equipment marker, width 12 mm
---------	------------	-------------------------------

**Diagrams/Drawings**

Circuit diagram



**Address**

PHOENIX CONTACT Inc., USA  
586 Fulling Mill Road  
Middletown, PA 17057, USA  
Phone (800) 888-7388  
Fax (717) 944-1625  
<http://www.phoenixcon.com>



© 2010 Phoenix Contact  
Technical modifications reserved;