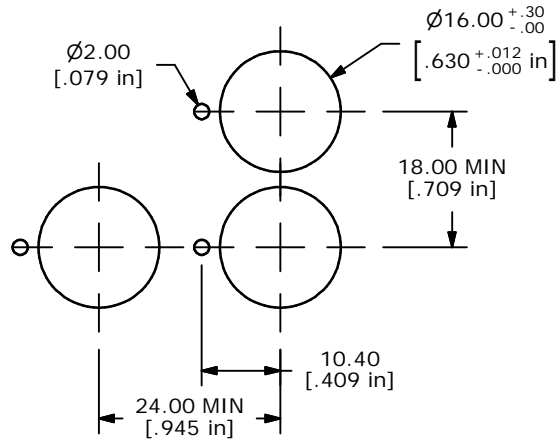
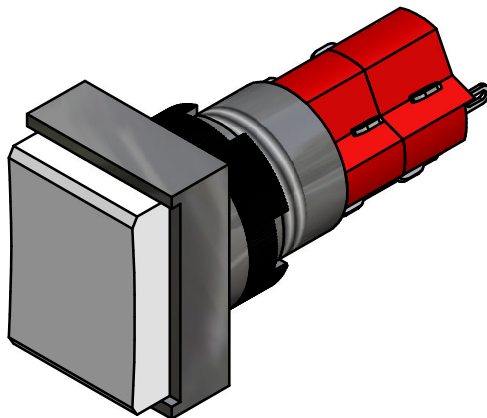
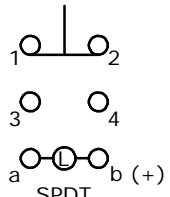


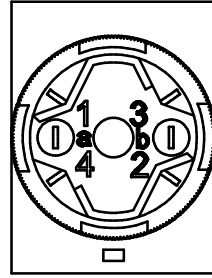
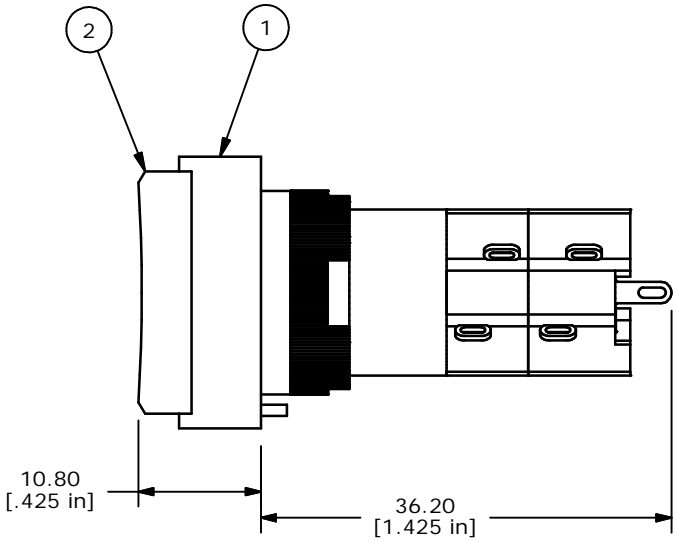
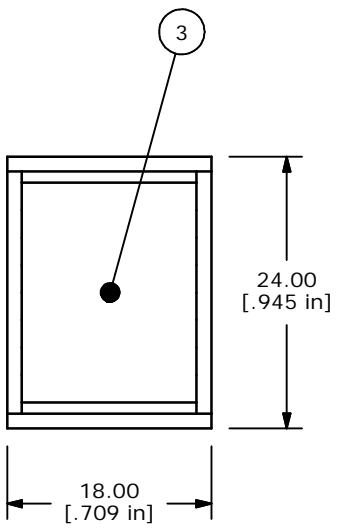
PARTS LIST			
ITEM	QTY	PART NUMBER	DESCRIPTION
1	1	F040023	D16EET12
2	1	F050205	50-002-05 WHITE TRANSPARENT RECTANGULAR
3	1	F050405	50-004-05 28V AC/DC 40mA INCANDESCENT



PANEL MOUNTING



CONTACT CONFIGURATION



- NOTE:
- ALL DIMENSIONS IN MM [INCH]
 - GENERAL TOLERANCE: X.X=±0.4
X.XX=±0.25
 - TERMINAL NUMBERS FOR REF ONLY
 - MECHANICAL LIFE: 2,000,000 OPERATIONS
 - INSULATION RESISTANCE: 1,000 MILLI-OHM MIN.
 - OPERATING TEMP.: -25°C to 55°C
 - LAMP VOLTAGE: 28V AC/DC INCANDESCENT
 - ▲ DENOTES CRITICAL PARAMETER.



A	14649	RELEASED FOR PRODUCTION	1/31/05	AR
REV	PCR NO	DESCRIPTION	DATE	BY

TITLE D16EET12CWHT				
SCALE	DATE	DR	DWG	REV
2:1	1/31/05	AR	XF0624P	A

THE INFORMATION CONTAINED IN THIS DOCUMENT IS PROPRIETARY TO E-SWITCH AND IS NOT TO BE COPIED OR TRANSFERRED