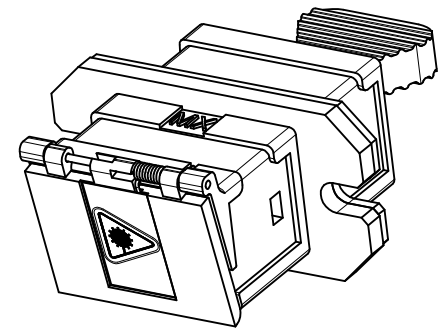
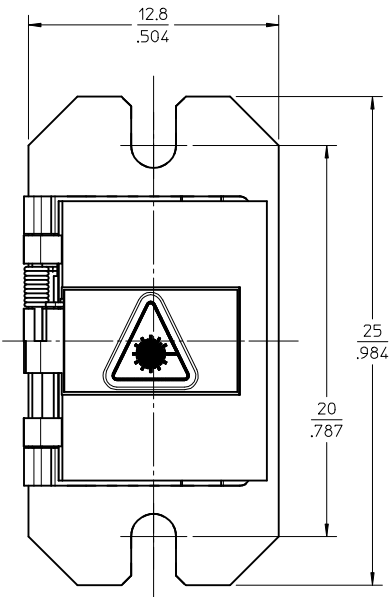
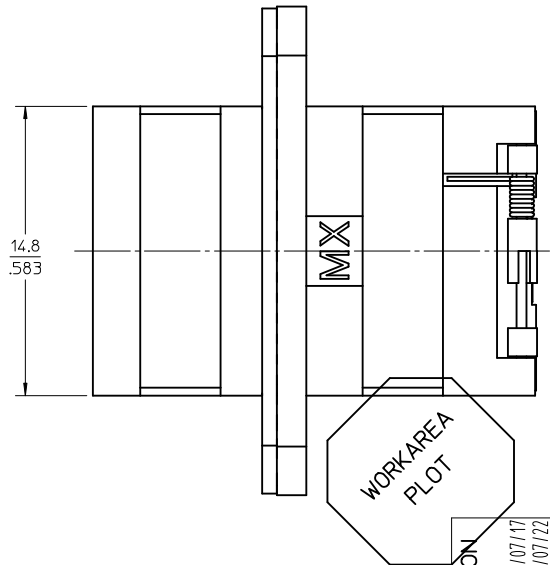
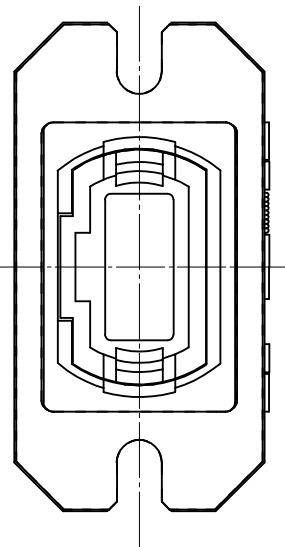


RECOMMENDED MOUNTING PATTERN



- NOTES:
1. SILICONE GASKET WITH Ag/AI FILLER (SHOWN COMPRESSED) IS SUPPLIED WITH THE PART.
 2. OUTER SHELL OF PART IS DIECAST.
 3. DUST CAP SHOWN ONLY IN ISOMETRIC VIEW.
 4. ADAPTERS TO BE PACKAGED IN TRAY.

ENTER DESCRIPTION	QUALITY SYMBOLS
EC NO: MF2010-0005	▽=0
DRW: DRWAHKEVZNER	▽=0
CHKD: 2009/07/17	
APPR: LGUMIN	
DATE: 2009/07/22	
DATE: 2009/07/23	
REV: A1	

GENERAL TOLERANCES (UNLESS SPECIFIED)
mm INCH
4 PLACES ± --- ± ---
3 PLACES ± --- ± ---
2 PLACES ± 0.10 ± ---
1 PLACE ± 0.10 ± ---
ANGULAR ± 1/2°
DRAFT WHERE APPLICABLE MUST REMAIN WITHIN DIMENSIONS

DIMENSION STYLE	SCALE	DESIGN UNITS	THIRD ANGLE PROJECTION
IN/MM	4:1	INCH	☉
DRAWN BY	DATE	TITLE	
PGIBLIN	2005/11/17	MPO EMI ADAPTER, FLANGE FLANGE	
CHECKED BY	DATE	MOLEX INCORPORATED	
APPROVED BY	DATE	MATERIAL NO.	DOCUMENT NO.
		1061141100	SD-106114-1100
	SIZE B	THIS DRAWING CONTAINS INFORMATION THAT IS PROPRIETARY TO MOLEX INCORPORATED AND SHOULD NOT BE USED WITHOUT WRITTEN PERMISSION	

SHEET NO.
1 OF 1