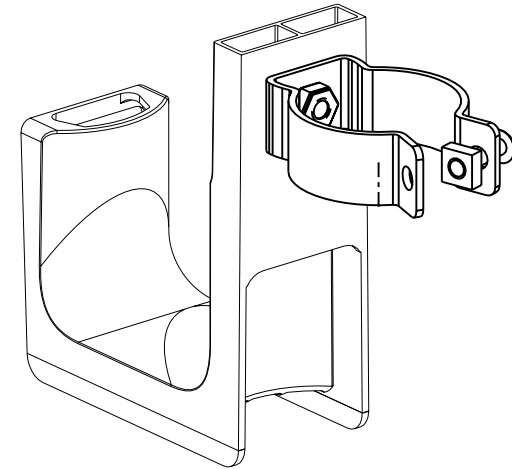
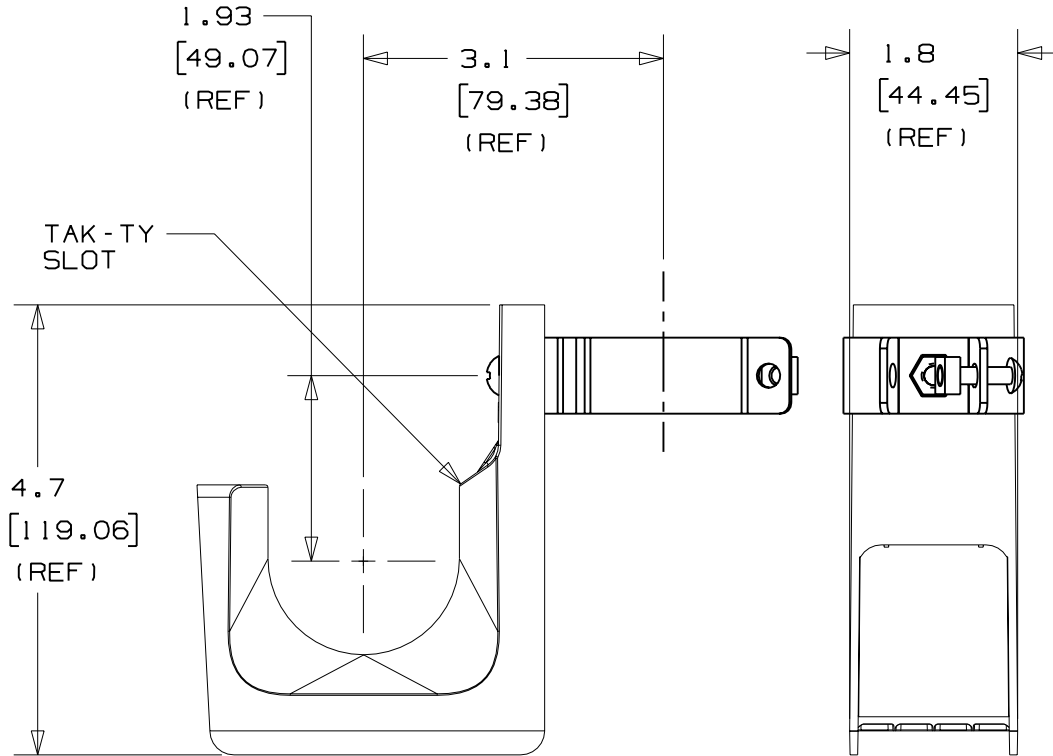


THIS COPY IS PROVIDED ON A RESTRICTED BASIS AND IS NOT TO BE USED IN ANY WAY DETRIMENTAL TO THE INTERESTS OF PANDUIT CORP.

PANDUIT PART NO.	FLOOR PEDESTAL (DIA)	WEIGHT lbs 10 (g) pcs
JP2UF100- ---	1.00 (25.4)	1.65 (748.4)



- NOTES:
- SEE CURRENT PRICE SHEET FOR PART NUMBER SUFFIX DESIGNATION FOR PACKAGE SIZE AND PRODUCT COLOR.
  - HOOK MATERIAL: NYLON 6/6  
BOLT MATERIAL: ZINC PLATED STEEL  
LOCK NUT MATERIAL: ZINC PLATED STEEL  
CLAMP MATERIAL: PLATED STEEL
  - PRODUCT IS DESIGNED TO SUPPORT A MAXIMUM OF 2" (50.8) DIAMETER BUNDLE. MAXIMUM RECOMMENDED STATIC LOAD: 30 lbs.
  - PRODUCT INCORPORATES FEATURES ALLOWING USER TO RETAIN CABLE BUNDLES IN J-PRO J-HOOK WITH TAK-TY CABLE TIES UP TO 3/4" WIDE.
  - PRODUCT MARKINGS:  
cULus logo and statement:  
"SUITABLE FOR USE IN AIR HANDLING SPACES IN ACCORDANCE WITH SECTION 300-22 (C) & (D) OF THE NATIONAL ELECTRIC CODE."  
ULC logo and statement:  
"IN ACCORDANCE WITH CAN/ULC S-102.2 IN SINGLE UNITS OR PAIRS, 4 ft (1220mm) MIN. SPACING, FSR=0, SDC=20."

DIMENSIONS IN BRACKETS ARE METRIC [ mm ]

CAD FILENAME/LAYERS G02888FH\_PB\_JP2UF100\_01

**PANDUIT** CORP. TINLEY PARK, ILLINOIS

J-PRO J-HOOK WITH UNDER FLOOR PEDESTAL SUPPORT CLAMP (JP2UF100- ---)

UNLESS OTHERWISE SPECIFIED, DIMENSIONAL TOLERANCES ARE: (.X) ±0.05 (1.31) (.XXX) ±0.010 (0.25) (.XX) ±0.02 (0.5) ANGLES ± 5°	UNLESS OTHERWISE SPECIFIED, ALL DIMENSIONS ARE GIVEN IN INCHES, THIRD ANGLE PROJECTION.
--	---

REV	DATE	BY	CHK	DESCRIPTION	ECN	R	CUST	SUP	DRAWN BY	MAT'L	SCALE	DRAWING NO.	DWG SIZE
1	12/14/05	JAD		COMPLETELY REVISED, RE-RELEASE WITH NEW GEOMETRY	GB2888FH	1			JAD	SEE NOTE 2	NONE	GB2888FH	A
									DATE				
									4/7/04				
									CHK'D				