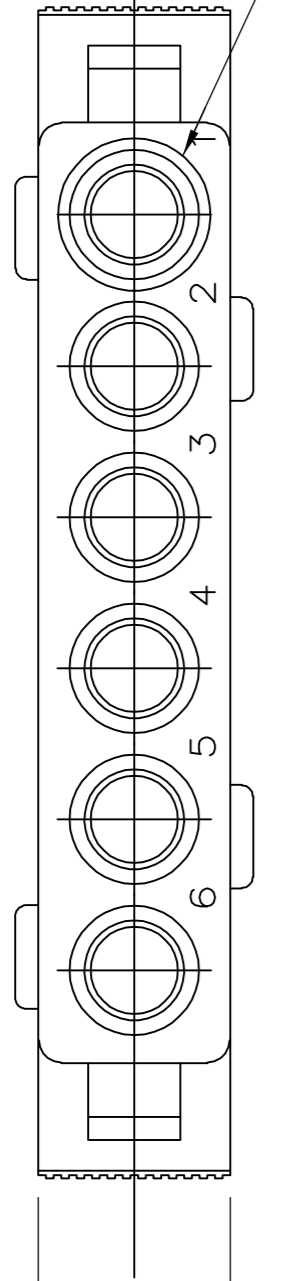


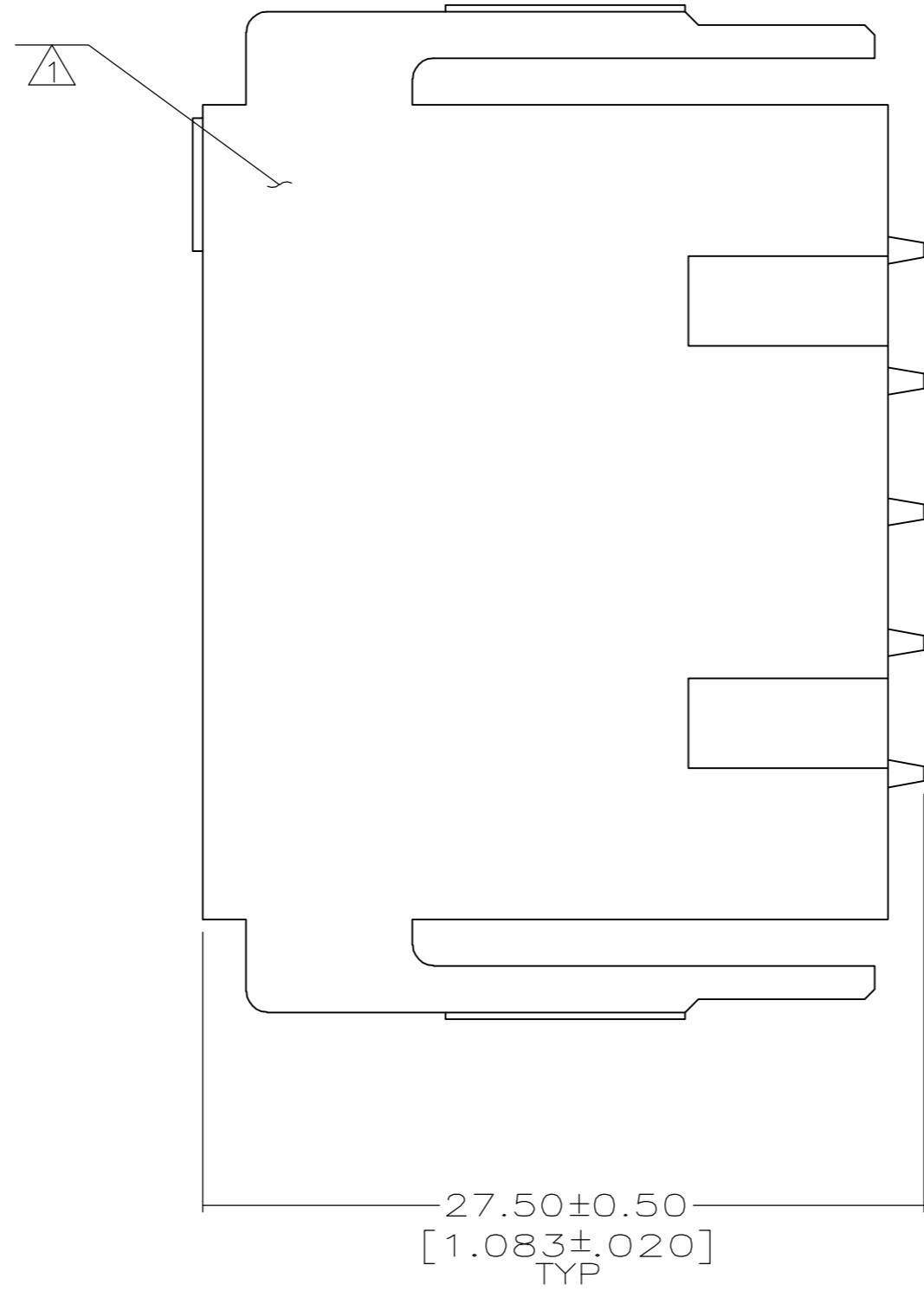
THIS DRAWING IS UNPUBLISHED. RELEASED FOR PUBLICATION  
 © COPYRIGHT BY TYCO ELECTRONICS CORPORATION. ALL RIGHTS RESERVED.

LOC		DIST		REVISIONS			
P	LTR	DESCRIPTION		DATE	DWN	APVD	
		D1		REVISED PER ECO-06-831	1/12/06	SS	GS

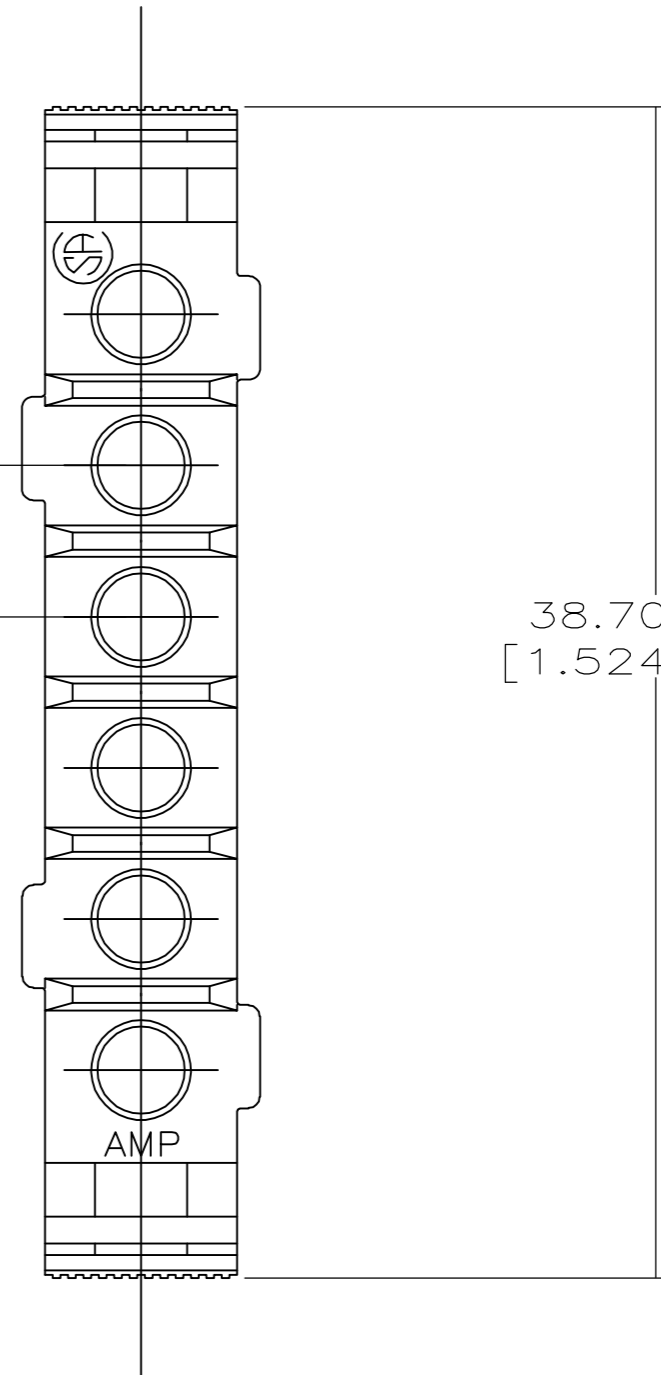
RAISED CAVITY IDENTIFICATION ON REAR FACE ONLY.



7.85 MAX  
[.310]



5.00  
[.197]  
TYP



WHITE DOT NEAR POSITION 1.

207377-2  
207377-1  
PART NUMBER

THIS DRAWING IS A CONTROLLED DOCUMENT.		DWN	8-14-91		<b>tyco</b> Tyco Electronics Corporation	
DIMENSIONS: mm [INCHES]		CHK	A.STAUB BG		Harrisburg, PA 17105-3608	
TOLERANCES UNLESS OTHERWISE SPECIFIED:		APVD	-		NAME	
0 PLC ± -		PRODUCT SPEC	-		HOUSING, PLUG, 6 POSITION, IN-LINE, FREE HANGING, METRIMATE	
1 PLC ± -		APPLICATION SPEC	-		SIZE	RESTRICTED TO
2 PLC ± -		WEIGHT	-		A2	-
3 PLC ± 0.25[.010]		CUSTOMER DRAWING	-		CAGE CODE	00779
4 PLC ± -		SCALE	4:1		DRAWING NO	C=207377
ANGLES ± -		SHEET	1 of 1		REV	D1
FINISH -						