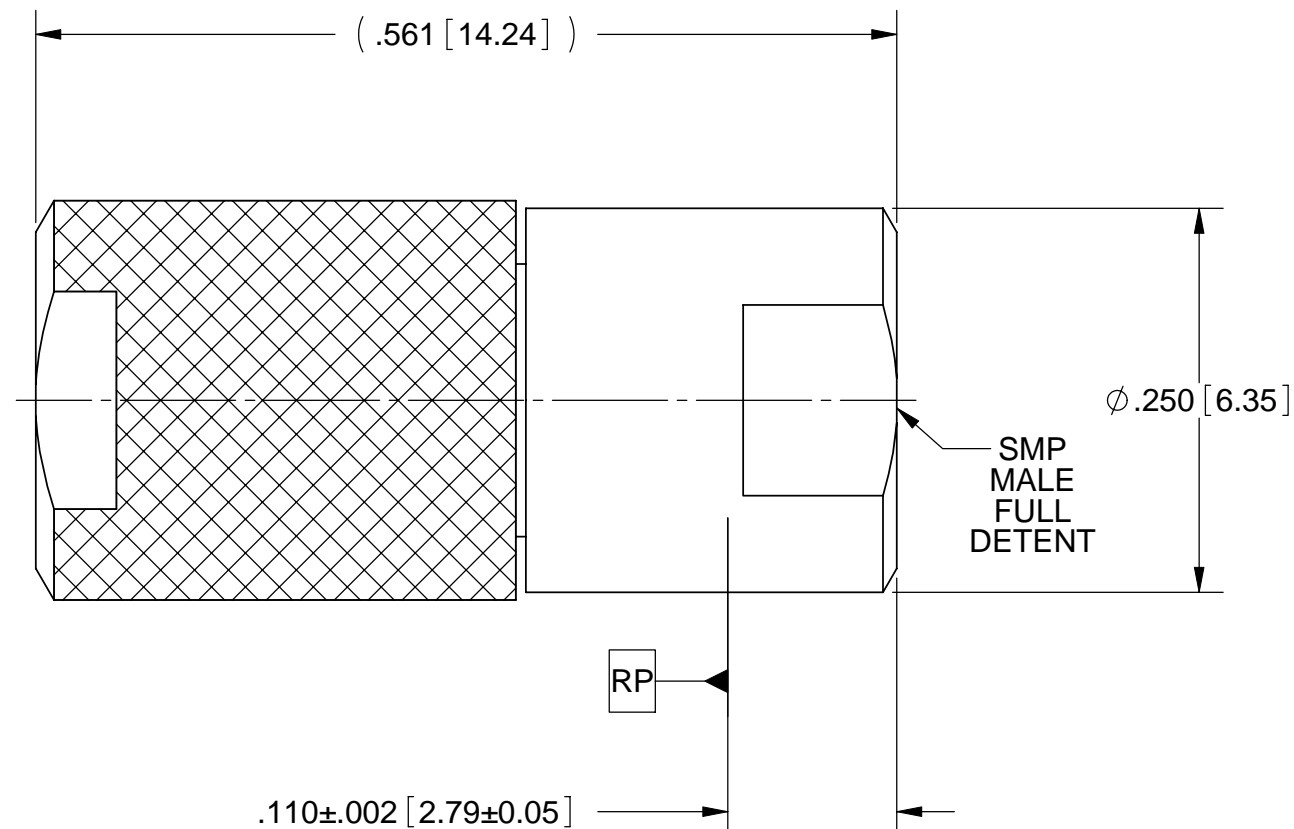
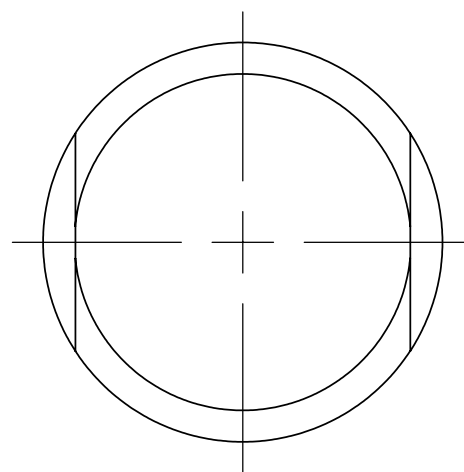
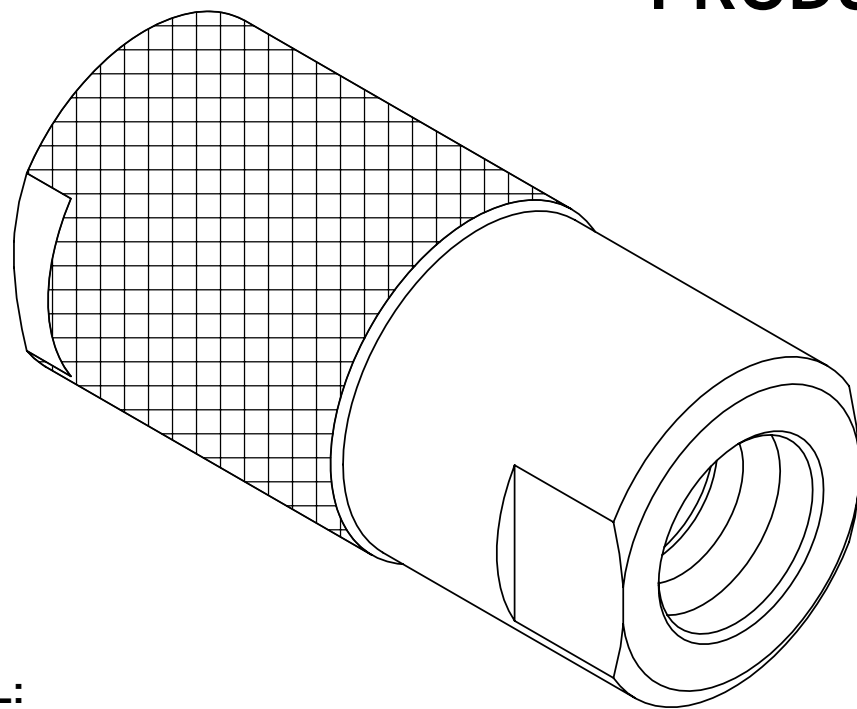


# PRODUCT DATA DRAWING

| REVISION HISTORY |                |       |          |
|------------------|----------------|-------|----------|
| REV              | DESCRIPTION    | DATE  | APPROVED |
| -                | REL. DCN 35513 | 11/07 | STW      |
|                  |                |       |          |
|                  |                |       |          |



**MATERIAL:**

**BODIES, & INSERT:** STAINLESS STEEL PER AMS-5640, ALLOY UNS S30300, TYPE 1

**CONTACT:** BERYLLIUM COPPER PER ASTM B196, ALLOY No. UNS C17300, TD04

**SLEEVE:** BRASS PER ASTM B16, ALLOY UNS No. C36000

**INSULATOR:** PTFE PER ASTM D1710, TYPE I, GRADE 1, CLASS B

**RESISTOR ELEMENT:** ALUMINUM NITRIDE SUBSTRATE WITH TANTILUM NITRIDE RESISTOR

**FINISH:**

**BODIES & INSERT:** PASSIVATED PER AMS-2700, TYPE 2

**CONTACT:** GOLD PER ASTM B488, TYPE II, CODE C, CLASS 1.27; OVER NICKEL PER AMS-QQ-N-290, CLASS 1, .00005" MIN.

**PERFORMANCE:**

**IMPEDANCE:** 50 OHMS

**FREQ. RANGE:** DC TO 18.0 GHZ

**VSWR:** 1.20:1 DC TO 15 GHZ  
1.25:1 15 TO 18 GHZ

**OPERATING TEMP.:** -55°C TO +125°C

**AVG. POWER:** 0.5 WATT (POWER INPUT DERATED LINEARLY FROM 25°C TO .05 WATTS AT 125°C)

**PEAK POWER:** 100 WATTS (PEAK POWER FOR A DUTY CYCLE OF 5X10-4 MAXIMUM PULSE DURATION OF 5 MICROSECONDS)

|   |  |   |   |
|---|--|---|---|
| MATERIAL: SEE NOTES   | DIMENSIONS ARE IN INCHES TOLERANCES:<br>FRACTIONAL: ±1/64 ANGULAR: X° ±1'0"<br>X"X' ±15" | UNLESS OTHERWISE SPECIFIED<br>1) ALL DIMENSIONS ARE IN INCHES (MILLIMETERS)<br>2) ALL DIMENSIONS ARE AFTER PLATING.<br>3) BREAK CORNERS & EDGES .005 R. MAX.<br>4) CHAM. 1ST & LAST THREADS.<br>5) SURFACE ROUGHNESS 63-MIL-STD-10.<br>6) DIA.'S ON COMMON CENTERS TO BE CONCENTRIC WITHIN .005 T.I.R.<br>7) REMOVE ALL BURRS | <b>SV Microwave, Inc.</b><br>2400 Centrepark West Drive, Suite 100<br>West Palm Beach, FL 33409 |
| FINISH: SEE NOTES   | DECIMAL: .X ±.030<br>.XX ±.010<br>.XXX ±.005   | INTERPRET DIMENSIONS AND TOLERANCES PER ASME Y14.5M - 1994  | TITLE: SMP FULL DETENT MALE TERMINATION   |
| SURFACE AREA: N/A   | THIRD ANGLE PROJECTION   | DRAWN: ADK 11/09/07   | SIZE: B CAGE CODE: 95077 DWG. NO.: SF8012-6009  |
| PROPRIETARY<br>THE INFORMATION CONTAINED IN THIS DRAWING IS THE SOLE PROPERTY OF SV MICROWAVE, INC. ANY REPRODUCTION IN PART OR AS A WHOLE WITHOUT THE WRITTEN PERMISSION OF SV MICROWAVE, INC IS PROHIBITED. |  | CHECKED: STW 11/09/07   | SCALE: 8:1 SHEET 1 OF 1   |
|   |  | APPROVED: STW 11/09/07  |   |