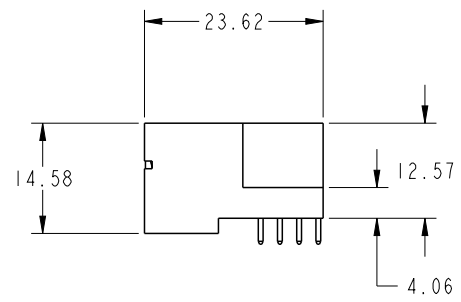
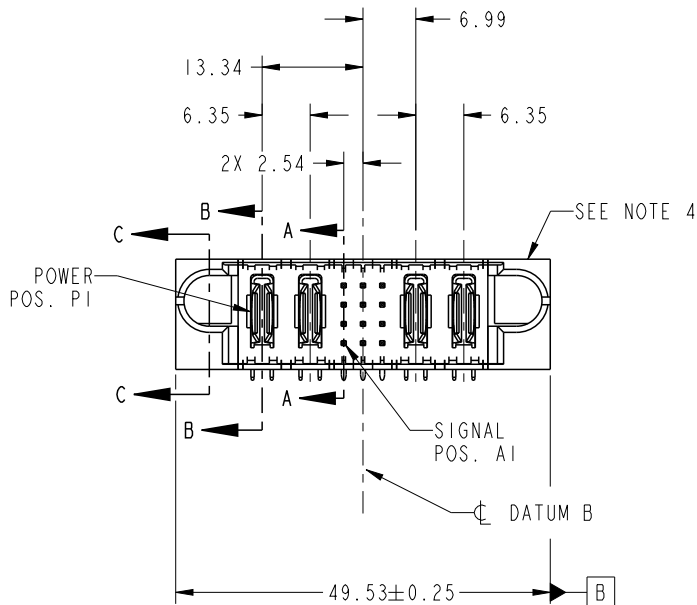


PRODUCT NO.	ROWS	POWER		SIG			POWER			
		E1	P1	P2	1	2	3	P3	P4	E2
51730-199-- NOTE 3	D C B A									



CODE	DIM "M" MATING LENGTH	CONTACT TYPE
E	[5.59]	SIGNAL
R	[6.86]	SIGNAL
S	[6.86]	SIGNAL
T	[6.86]	SIGNAL
U	[6.86]	SIGNAL
PA	[N/A]	POWER

spec ref		dr	X Q Wang	2011/12/21	projection 	MM ←→	size	A4	scale	1:1
tolerance std		eng	X Q Wang	2012/01/13			ecn no	-		
SEE NOTE		chr	-	-			rel level	Released		
surface ✓	linear	0.X	±0.5	 title 2P + 12S + 2P RIGHT ANGLE SOLDER HEADER cat. no. *	product family PwrBlade	dwg no 51730-199	rev A			
		0.XX	±0.25							
		0.XXX	±0.1							
	angular	0°	±2°	www.fci.com	Product - Customer Drw	sheet 1 of 4				

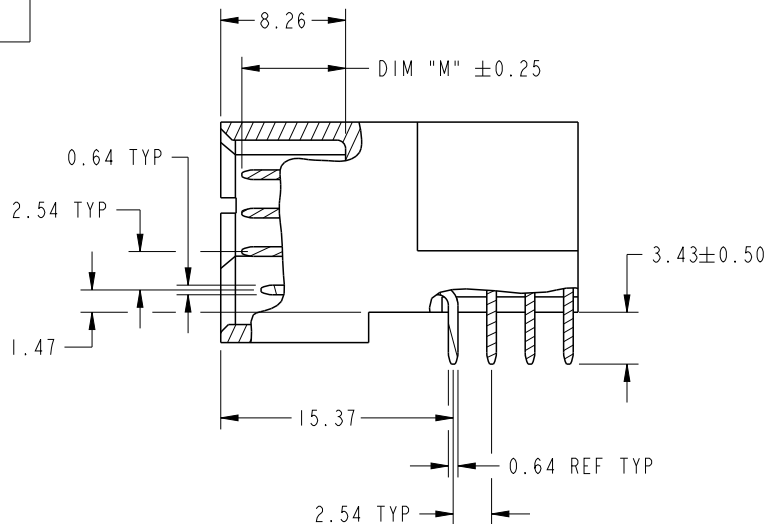


Copyright FCI.

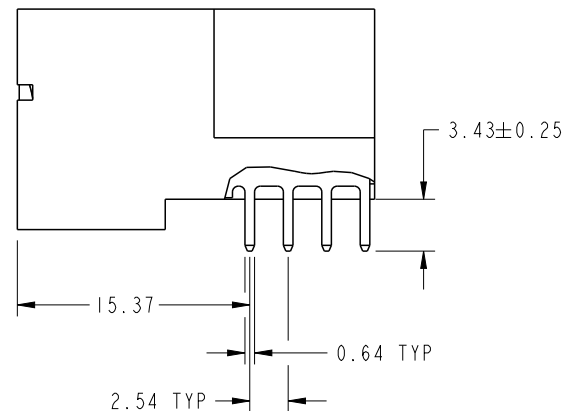
PrdE File - REV C - 2009-06-09

PRODUCT NUMBER

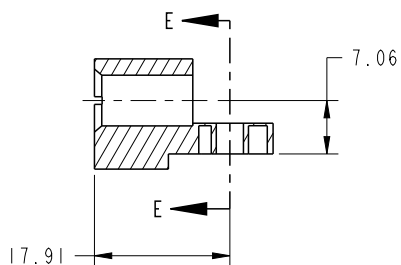
51730-199\_\_  
NOTE 3



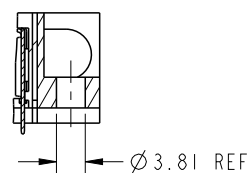
BROKEN-OUT SECTION A-A  
SCALE 2:1



BROKEN-OUT SECTION B-B  
SCALE 2:1



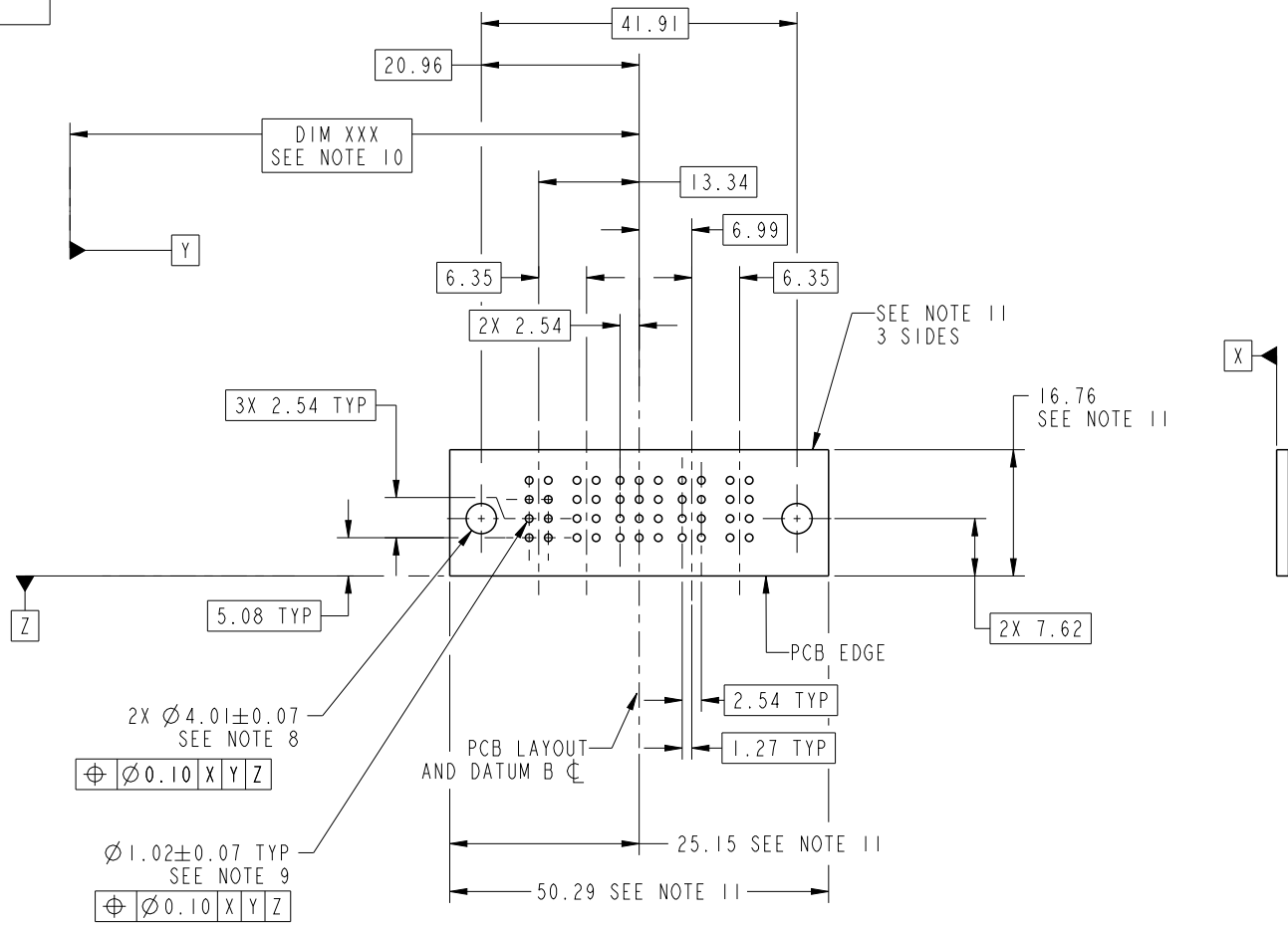
SECTION C-C



PARTIAL SECTION E-E

dr	X Q Wang	2011/12/21	projection 	MM 	size	A4	scale	1:1
eng	X Q Wang	2012/01/13			ecn no	-		
chr	-	-			rel level	Released		
appr	Pei-Ming Zheng	2012/01/13	product family	PwrBlade	rev	A		
	title	2P + 12S + 2P RIGHT ANGLE SOLDER HEADER		dwg no	51730-199			
www.fci.com	cat. no.	*	Product - Customer Drw		sheet 2 of 4			

PRODUCT NUMBER  
51730-199\_\_  
NOTE 3



RECOMMENDED PCB LAYOUT

dr	X Q Wang	2011/12/21	projection 	MM 	size	A4	scale	1:1
eng	X Q Wang	2012/01/13			ecn no	-		
chr	-	-			rel level	Released		
appr	Pei-Ming Zheng	2012/01/13	product family	PwrBlade	rev	A		
	title	2P + 12S + 2P RIGHT ANGLE SOLDER HEADER		dwg no	51730-199	rev	A	
www.fci.com	cat. no.	*	Product - Customer Drw	sheet 3 of 4				



PRODUCT NUMBER  
51730-199\_\_  
NOTE 3

NOTES:

1. DIMENSIONS AND TOLERANCES ARE IN ACCORDANCE WITH ASME Y14.5M, 1994 UNLESS OTHERWISE SPECIFIED.

CONNECTOR NOTES:

- 2. HOUSING MATERIAL: UL 94 V-0 GLASS FILLED HIGH-TEMP THERMOPLASTIC  
POWER CONTACT MATERIAL: COPPER ALLOY  
SIGNAL PIN MATERIAL: COPPER ALLOY
- 3. SEE ITEM 1 & 2 IN PRINT 10064183 FOR PLATING SPEC OF 51730-199 AND 51730-199LF RESPECTIVELY.
- 4. MANUFACTURER'S NAME, DATE CODE AND OPTIONAL P/N TO APPEAR ON THIS SURFACE. THE P/N CAN BE OMITTED IF THERE IS NOT ENOUGH SPACE ON THIS SURFACE.
- 5. PRODUCT SPECIFICATION GS-12-149.  
APPLICATION SPECIFICATION BUS-20-067.
- 6. PACKAGED IN TRAYS.

PCB NOTES:

- 7. ALL HOLE DIAMETERS ARE FINISHED HOLE SIZE.
- 8. MOUNTING HOLES, WHERE APPLICABLE, ARE UNPLATED.
- 9.  $\varnothing 1.151 \pm 0.025$  DRILLED HOLES PLATED WITH  
0.008 MIN SnPb OR Sn OVER 0.03  
TO 0.08 Cu PLATING TO ACHIEVE  
 $\varnothing 1.02 \pm 0.07$  HOLE.
- 10. "DIM XXX" TO BE DETERMINED BY THE CUSTOMER.
- 11. CONNECTOR KEEP-OUT ZONE.



Copyright FCI.

dr	X Q Wang	2011/12/21	projection 	MM 	size	A4	scale	1:1
eng	X Q Wang	2012/01/13			ecn no	-		
chr	-	-						
appr	Pei-Ming Zheng	2012/01/13	product family	PwrBlade	rel level	Released		
	title	2P + 12S + 2P RIGHT ANGLE SOLDER HEADER		dwg no	51730-199		rev	A
www.fci.com	cat. no.	*	Product - Customer Drw			sheet 4 of 4		