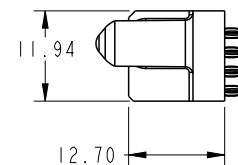
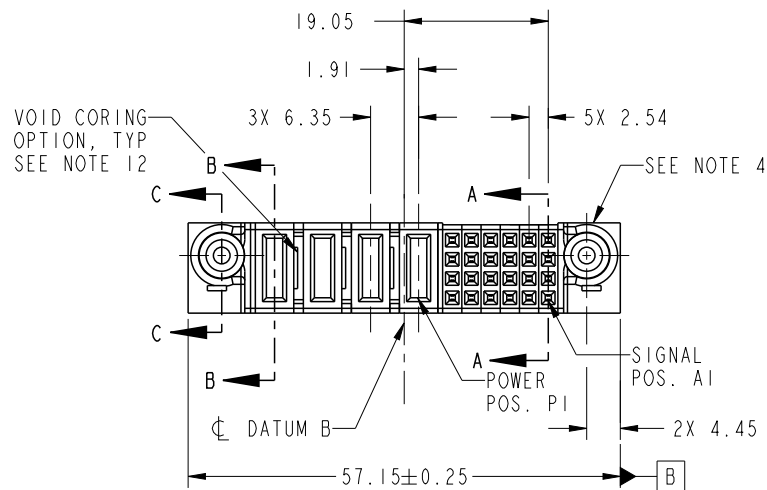


PRODUCT NO.	ROWS	POWER				SIGNAL							
		E2	P4	P3	P2	P1	6	5	4	3	2	1	E1
51940-425-- NOTE: 3	D C B A		PF	PF	PC	PC	F	F	F	F	F	F	

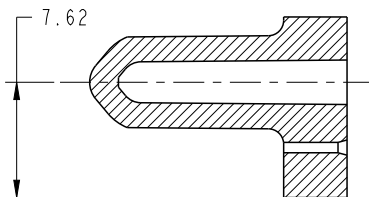
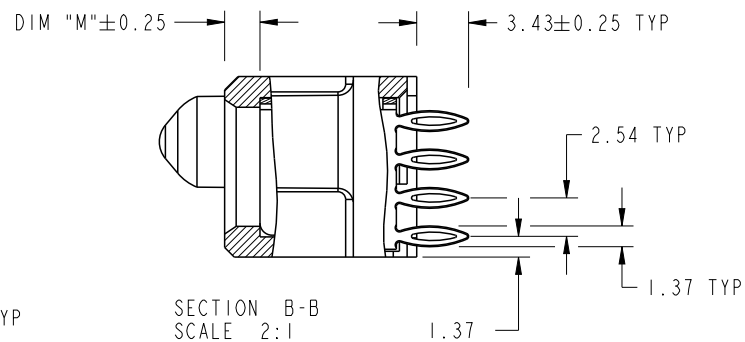
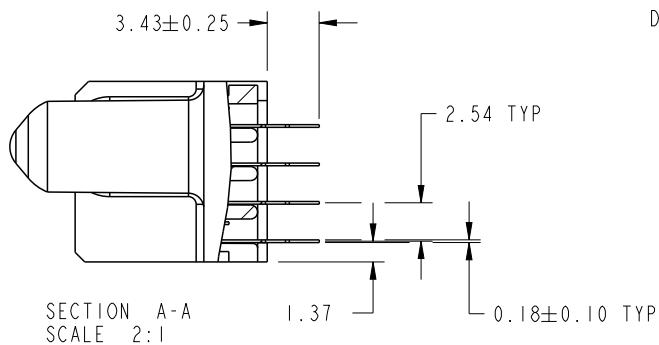


CODE	DIM "M" MATING LENGTH	CONTACT TYPE
PF	[2.34]	POWER
PC	[1.07]	POWER
F	[N/A]	SIGNAL

spec ref	*	dr	Shi Guang	2012/03/31	projection	MM	size	A4	scale	1:1	
tolerance std	TOLERANCES UNLESS OTHERWISE SPECIFIED	eng	Luo Weller	2013/02/27			ecn no	-			
SEE NOTE		chr	-	-	product family	PwrBlade	rel level	Released			
surface	linear	appr	Pei-Ming Zheng	2013/02/27		title	24S + 4P	dwg no	51940-425	rev	A
	angular	0°	±2°	www.fci.com	cat. no.	*	Product - Customer Drw	sheet	1 of 4		

PRODUCT NUMBER

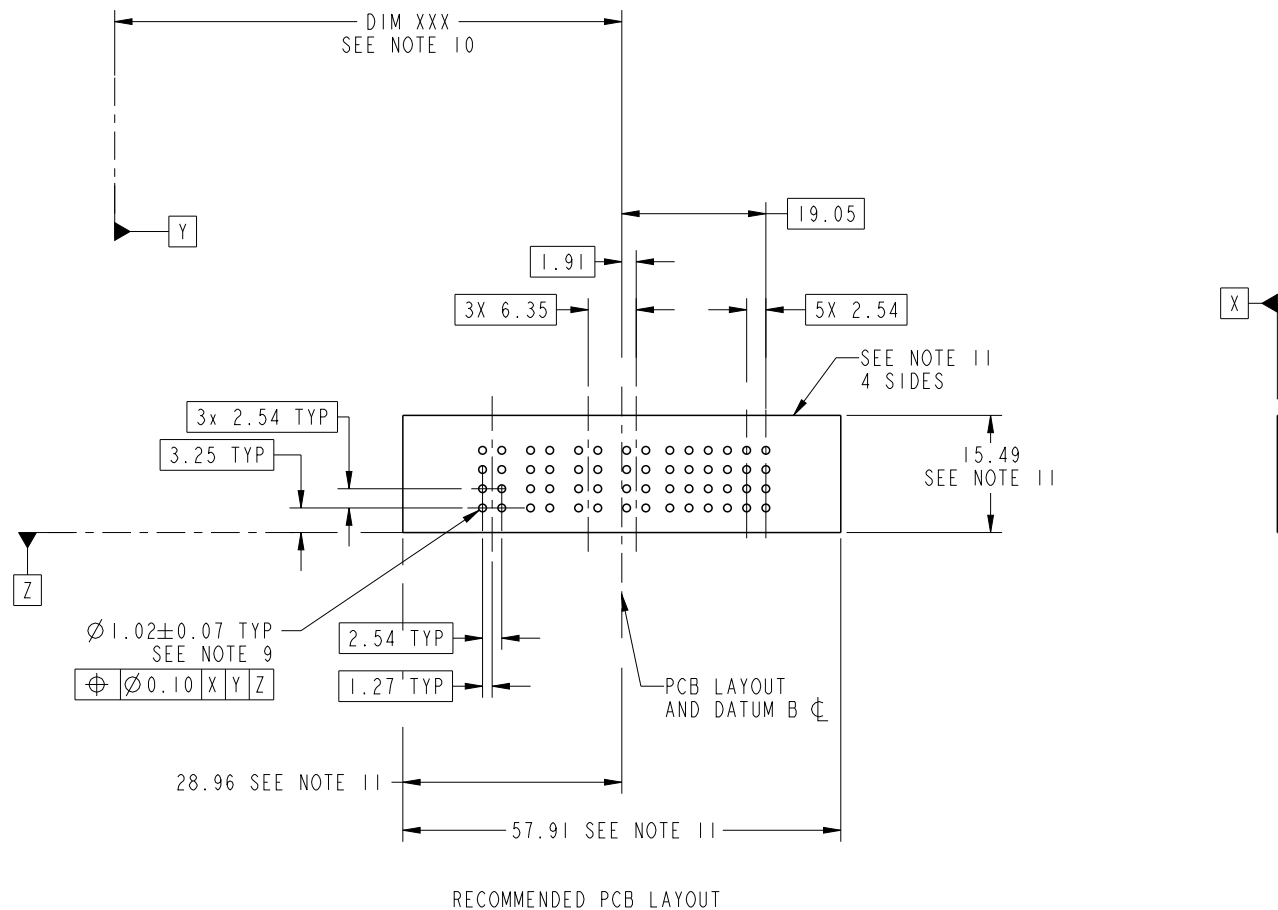
51940-425__
NOTE: 3



dr	Shi Guang	2012/03/31	projection 	MM ←————→	size	A4	scale	1:1
eng	Luo Weller	2013/02/27			ecn no	-		
chr	-	-			rel level	Released		
appr	Pei-Ming Zheng	2013/02/27	product family	PwrBlade	rev	A		
	title	24S + 4P VERTICAL PRESS FIT RECEIPT		dwg no	51940-425			
www.fci.com	cat. no.	*	Product - Customer Drw		sheet 2 of 4			

PRODUCT NUMBER

51940-425__
NOTE: 3



dr	Shi Guang	2012/03/31	projection 	MM 	size	A4	scale	1:1	
eng	Luo Weller	2013/02/27			ecn no	-			
chr	-	-			rel level	Released			
appr	Pei-Ming Zheng	2013/02/27	product family	PwrBlade					
		title	24S + 4P		dwg no	51940-425		rev	A
www.fci.com		cat. no.	*	Product - Customer Drw			sheet 3 of 4		

PRODUCT NUMBER

51940-425__
NOTE: 3

NOTES:

1. DIMENSIONS AND TOLERANCES ARE IN ACCORDANCE WITH ASME Y14.5M, 1994 UNLESS OTHERWISE SPECIFIED.

CONNECTOR NOTES:

- ② HOUSING MATERIAL: UL 94 V-0 GLASS FILLED HIGH-TEMP THERMOPLASTIC
POWER CONTACT MATERIAL: COPPER ALLOY
SIGNAL PIN MATERIAL: COPPER ALLOY
- 3. SEE ITEM 7 & 8 IN PRINT 10064183 FOR PLATING SPEC OF 51940-425 AND 51940-425LF RESPECTIVELY.
- ④ MANUFACTURER'S NAME, DATE CODE AND OPTIONAL P/N TO APPEAR ON THIS SURFACE. THE P/N CAN BE OMITTED IF THERE IS NOT ENOUGH SPACE ON THIS SURFACE.
- 5. PRODUCT SPECIFICATION GS-12-149.
APPLICATION SPECIFICATION BUS-20-067.
- 6. PACKAGED IN TRAYS.
- PCB NOTES:
- 7. ALL HOLE DIAMETERS ARE FINISHED HOLE SIZE.
- ⑧ MOUNTING HOLES, WHERE APPLICABLE, ARE UNPLATED.
- ⑨ $\varnothing 1.151 \pm 0.025$ DRILLED HOLES PLATED WITH
0.008 MIN SnPb OR Sn OVER 0.03
TO 0.08 Cu PLATING TO ACHIEVE
 $\varnothing 1.02 \pm 0.07$ HOLE.
- ⑩ "DIM XXX" TO BE DETERMINED BY THE CUSTOMER.
- ⑪ CONNECTOR KEEP-OUT ZONE.
- 12. THE VOID CORING IN BETWEEN POWER MODULES, SIGNAL MODULES AND END MODULES ARE OPTIONAL AND THE SHAPE MAY BE DIFFERENT FOR OPTIMIZE THE MOLDING PROCESS. THE VOID CORING WILL NOT EFFECT TO PRODUCT FUNCTION.

A

B

C

D

A

B

C

D



Copyright FCI.

dr	Shi Guang	2012/03/31	projection 	MM 	size	A4	scale	1:1	
eng	Luo Weller	2013/02/27			ecn no	-			
chr	-	-			product family	PwrBlade	rel level	Released	
appr	Pei-Ming Zheng	2013/02/27			title	24S + 4P		rev	A
www.fci.com		cat. no.	*	Product - Customer Drw	dwg no	51940-425		sheet 4 of 4	