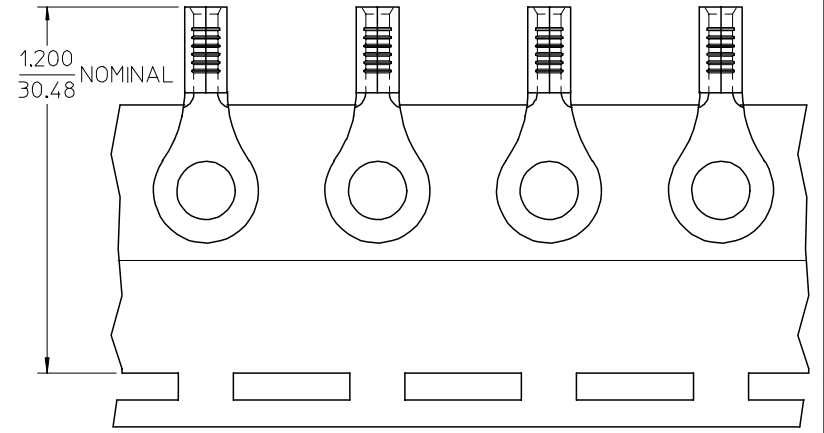
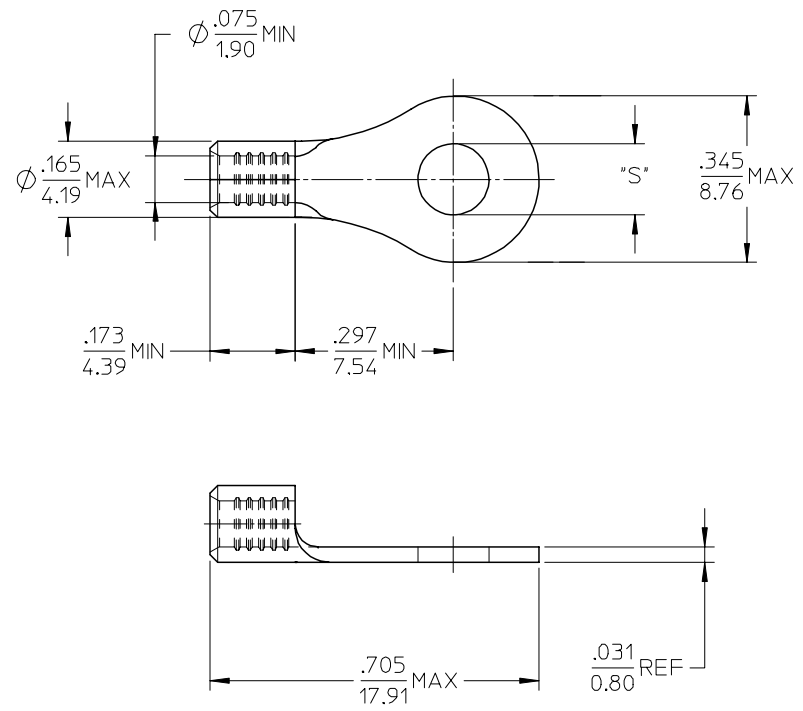


MATERIAL NO.	ENG. NO.	STUD SIZE	"S" MAX	DESCRIPTION
192030488	B-S-137-06	6	.149/3.78	LOOSE
192030048	B-S-137-06T	6	.149/3.78	TAPE



PARTS ON TAPE

NOTE(S):

- MATERIAL: STEEL
- WIRE SIZE: 16-14 AWG (1.5-2.5 MM²)
- FINISH: NICKEL PLATING
- PART IS ROHS COMPLIANT.
- AMBIENT OPERATING TEMPERATURE UP TO 900 °F (483 °C).

ADDED OPERATING TEMP
 EC NO: ETC2007-0297
 DRW: NEHLE 2007/03/13
 CHKD: JMACNEIL 2007/03/13
 APPR: JMACNEIL 2007/03/14

REV	DESCRIPTION	QUALITY SYMBOLS
▽=0		
▽=0		

GENERAL TOLERANCES (UNLESS SPECIFIED)	
	INCH
4 PLACES	± .005
3 PLACES	± .004
2 PLACES	± .003
1 PLACE	± .002
ANGULAR ± .005°	

DIMENSION STYLE	
IN/MM	
DRAWN BY	DATE
EHILE	2006/09/20
CHECKED BY	DATE
JMACNEIL	2006/09/20
APPROVED BY	DATE
JMACNEIL	2006/09/20

SCALE	DESIGN UNITS	THIRD ANGLE PROJECTION
4:1	INCH	☉
TITLE		
RING TONGUE TERMINAL, 16-14 AWG, KRIMPTITE, 900 DEG F (483 DEG C)		
MATERIAL NO. SEE CHART		
DOCUMENT NO. SD-19203-029		SHEET NO. 1 OF 1
THIS DRAWING CONTAINS INFORMATION THAT IS PROPRIETARY TO MOLEX INCORPORATED AND SHOULD NOT BE USED WITHOUT WRITTEN PERMISSION		