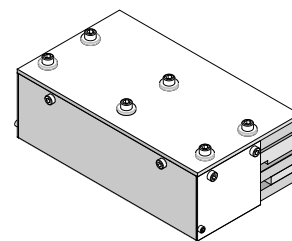


**2-by-12
Stacked Multi-Port
Removal Tool**



**Application Tooling
Specification Sheet**



Order No. 62202-5290

FEATURES

- Lightweight tool used in the removal of Stacked Multi-Port connectors in a PCB
- Removes connector in a PCB without damage to the board
- Use tool 62202-5280 for inserting connectors

SCOPE

Products: Small Form-factor Pluggable (zSFP+™) 2-by-12 Multi-Port Connector with Press-fit PC Tails.

Connector Series No.	Connector Order No.					
170071	170071-1201	170071-1211	170071-1212	170071-1213	170071-1214	170071-1215
171846	171846-1201	171846-1211	171846-1212	171846-1213	171846-1214	171846-1215

Notes:

1. See the following pages for tooling operation instructions.
2. These tools require a “Keep Out Zone” around the connector free of components. The right and left sides should be 0.08” (2mm). The rear of the connector should be .197” (5.0mm). See Figure 1.

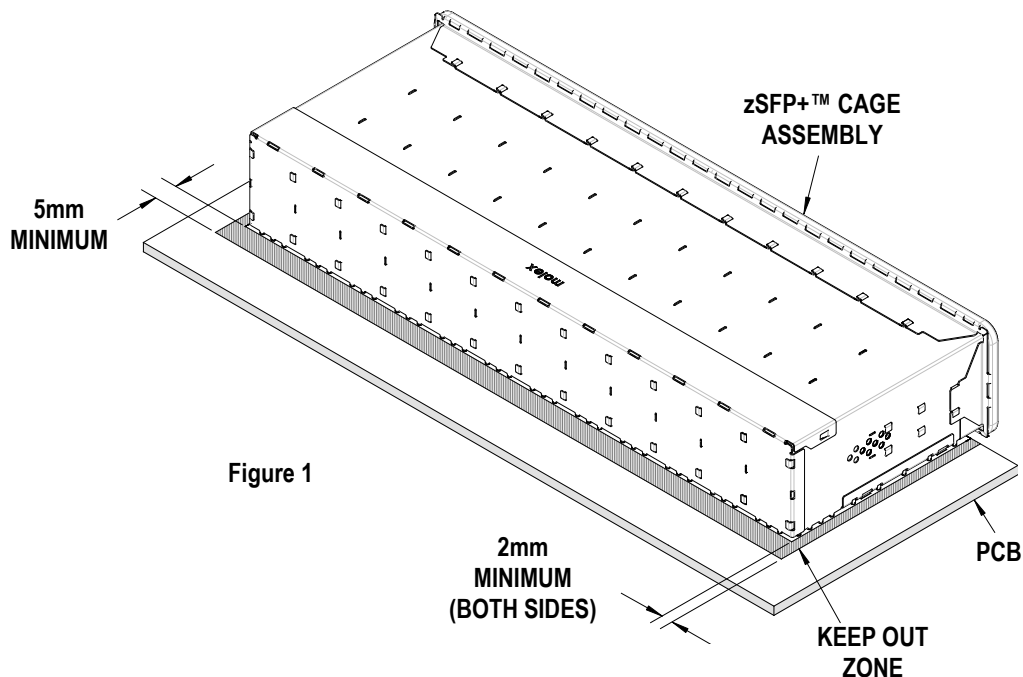


Figure 1

Description

The following Instructions are used for removing a 2 by 12 connector from a PCB.

Operation

1. Disassemble the (2) halves as delivered by unscrewing the screws on the top of the "upper tooling". See Figure 2.
2. Remove the upper tooling from the support tooling.
3. For zSFP+ product remove the flange if applicable, from the connector assembly to ensure full insertion of support tooling into connector ports.
4. Insert the support block assembly into the connector assembly until it is fully seated. See Figure 3.

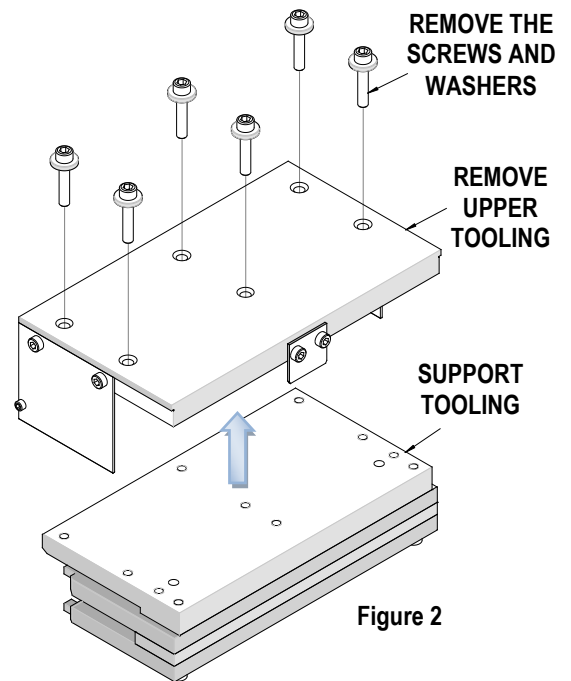


Figure 2

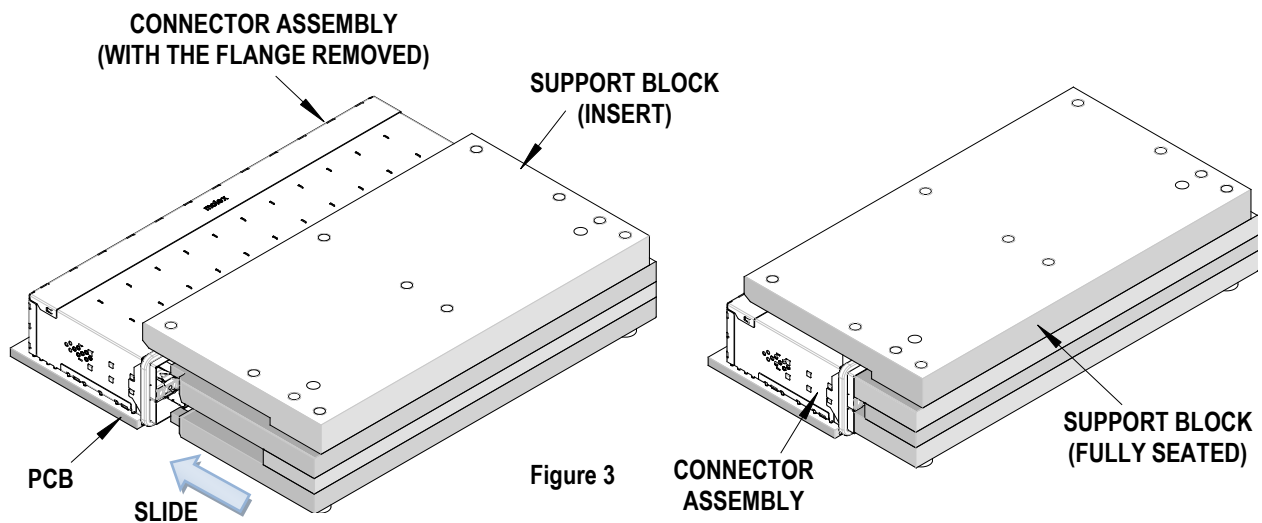
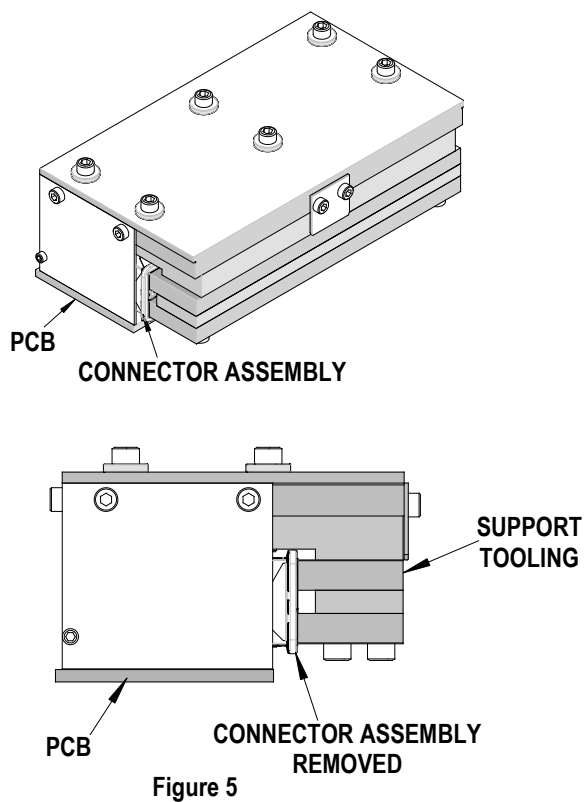
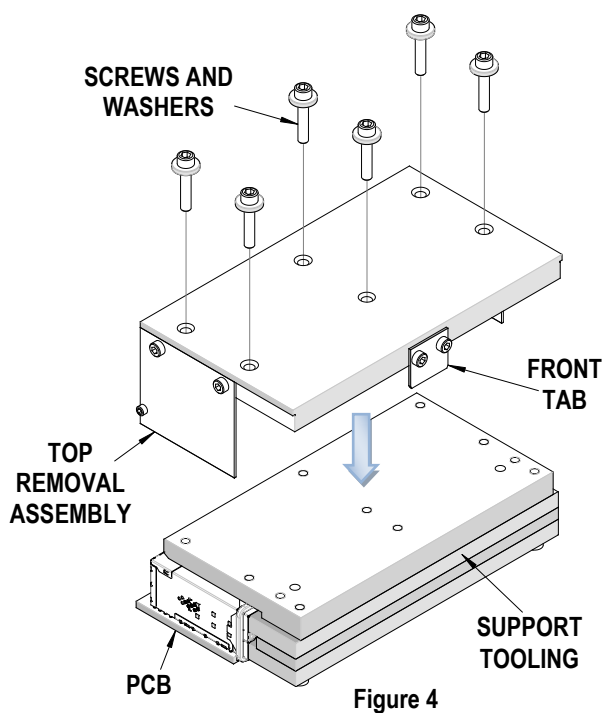


Figure 3

5. Place the top removal assembly over the support block and the connector assembly, aligning the front tab of the top removal assembly with the back edge of the support block. See Figure 4.
6. Now place the washers and screws into the holes in the top removal assembly and turn until seated on the top plate, using a 5/32" hex wrench to tighten the screws.
7. Tighten each screw, one turn in an alternating pattern until the connector assembly is removed from the PCB. See Figure 5.



CAUTION: Molex application tooling specifications are valid only when used with Molex connectors and tooling.

Contact Information

For more information on Molex application tooling please contact Molex at 1-800-786-6539.

Visit our website at <http://www.molex.com>