



## MICRF506

### 410MHz and 450MHz ISM Band Transceiver

## General Description

The MICRF506 is a true single-chip, frequency shift keying (FSK) transceiver intended for use in half-duplex, bidirectional RF links. The multi-channelled FSK transceiver is intended for UHF radio equipment in compliance with the European Telecommunication Standard Institute (ETSI) specification, EN300 220.

The transmitter consists of a PLL frequency synthesizer and power amplifier. The frequency synthesizer consists of a voltage-controlled oscillator (VCO), a crystal oscillator, dual modulus prescaler, programmable frequency dividers, and a phase-detector. The loop-filter is external for flexibility and can be a simple passive circuit. The output power of the power amplifier can be programmed to seven levels. A lock-detect circuit detects when the PLL is in lock. In receive mode, the PLL synthesizer generates the local oscillator (LO) signal. The N, M, and A values that give the LO frequency are stored in the N0, M0, and A0 registers.

The receiver is a zero intermediate frequency (IF) type which makes channel filtering possible with low-power, integrated low-pass filters. The receiver consists of a low noise amplifier (LNA) that drives a quadrature mix pair. The mixer outputs feed two identical signal channels in phase quadrature. Each channel includes a pre-amplifier, a third order Sallen-Key RC low-pass filter that protects the following switched-capacitor filter from strong adjacent channel signals, and a limiter. The main channel filter is a switched-capacitor implementation of a six-pole elliptic low pass filter. The cut-off frequency of the Sallen-Key RC filter can be programmed to four different frequencies: 100kHz, 150kHz, 230kHz, and 340kHz. The I and Q channel outputs are demodulated and produce a digital data output. The demodulator detects the relative phase of the I and the Q channel signal. If the I channel signal lags behind the Q channel, the FSK tone frequency is above the LO frequency (data '1'). If the I channel leads the Q channel, the FSK tone is below the LO frequency (data '0'). The output of the receiver is available on the DatalXO pin. A receive signal strength indicator (RSSI) circuit indicates the received signal level. All support documentation can be found on Micrel's web site at [www.micrel.com](http://www.micrel.com).



RadioWire®

## Features

- True single chip transceiver
- Digital bit synchronizer
- Received signal strength indicator (RSSI)
- RX and TX power management
- Power down function
- Reference crystal tuning capabilities
- Frequency error estimator
- Baseband shaping
- Three-wire programmable serial interface
- Register read back function

## Applications

- Telemetry
- Remote metering
- Wireless controller
- Remote data repeater
- Remote control systems
- Wireless modem
- Wireless security system

General Description .....	1
Features.....	1
Applications .....	1
RadioWire® RF Selection Guide .....	4
Ordering Information.....	4
Block Diagram .....	4
Pin Configuration .....	5
Pin Description.....	5
Absolute Maximum Ratings <sup>(1)</sup> .....	6
Operating Ratings <sup>(2)</sup> .....	6
Electrical Characteristics <sup>(4)</sup> .....	6
Programming .....	9
Writing to the control registers in MICRF506 .....	10
Writing to a Single Register .....	10
Writing to All Registers .....	11
Writing to n Registers having Incremental Addresses.....	11
Writing to n Registers having Non-Incremental Addresses.....	12
Reading from the control registers in MICRF506 .....	12
Programming interface timing.....	12
Power on Reset .....	13
Programming summary .....	14
Frequency Synthesizer .....	15
Crystal Oscillator (XCO).....	16
VCO .....	17
Charge Pump .....	18
PLL Filter .....	18
Lock Detect .....	18
Modes of Operation .....	18
Transceiver Sync/Non-Synchronous Mode.....	19
Data Interface .....	19
Receiver.....	20
Front End .....	20
Sallen-Key Filters .....	20
Switched Capacitor Filter .....	21
RSSI.....	21
FEE .....	22
Bit Synchronizer .....	23
Transmitter.....	24
Power Amplifier .....	24
Modulator .....	26
Using the XCO-tune Bits .....	28
Typical Application.....	30

---

MICRF506BML/YML Land pattern .....	31
Layout Considerations .....	32
Package Information MICRF506BML .....	33
Package Information MICRF506YML .....	34
Overview of programming bit .....	35
Table 1: Detailed description of programming bit .....	35
Table 2: Main Mode bit .....	40
Table 3: Synchronizer mode bit .....	40
Table 4: Modulation bit .....	40
Table 5: Prefilter bit .....	40
Table 6: Power amplifier bit .....	41
Table 7: Generation of <i>Bitrate_clk</i> , <i>BitSync_clk</i> and <i>Mod_clk</i> .....	41
Table 8: Test signals .....	41
Table 10: Frequency Error Estimation control bit .....	42
Table 11: Frequency Error Estimation control bit, cont. ....	42

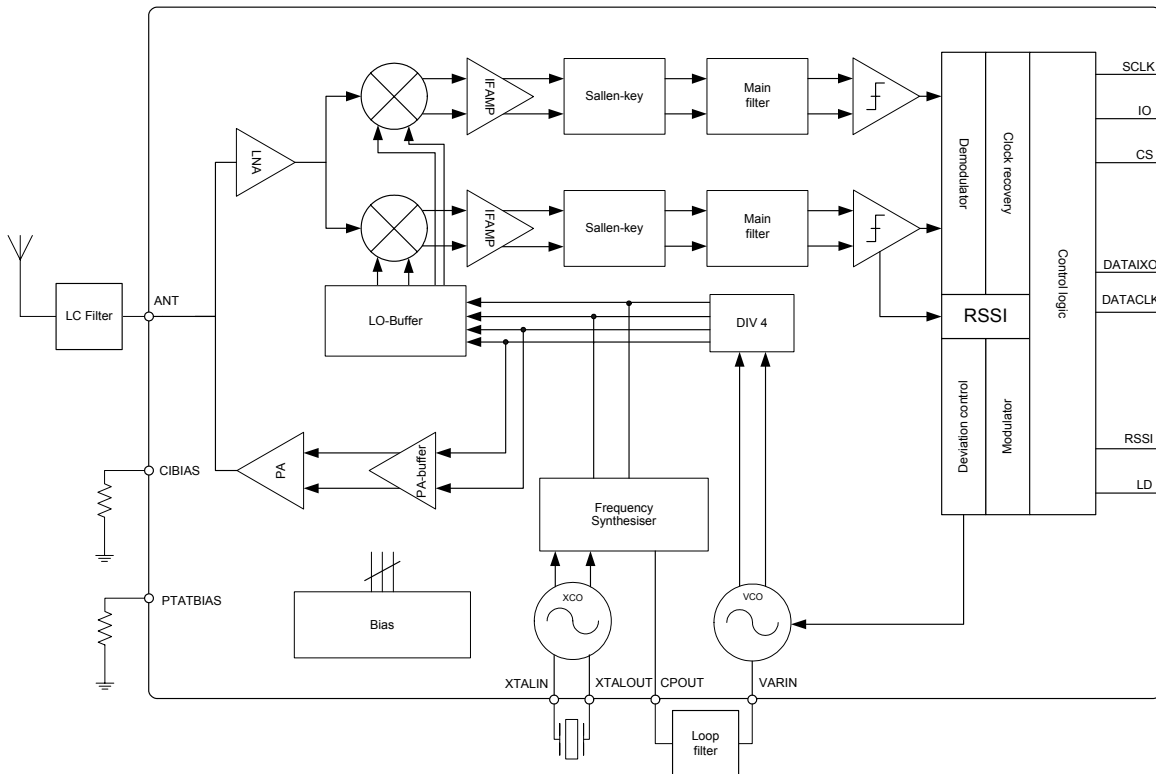
## RadioWire® RF Selection Guide

Device	Frequency Range	Maximum Data Rate	Receive	Supply Voltage	Transmit	Modulation Type	Package
MICRF500	700MHz – 1.1GHz	128k Baud	12mA	2.5 to 3.4V	50mA	FSK	LQFP-44
MICRF501	300MHz – 440MHz	128k Baud	8mA	2.5 to 3.4V	45mA	FSK	LQFP-44
MICRF505	850MHz – 950MHz	200k Baud	13mA	2.0 to 2.5V	28mA	FSK	MLF™-32
MICRF506	410MHz – 450MHz	200k Baud	12mA	2.0 to 2.5V	21.5mA	FSK	MLF™-32
MICRF405	290-980MHz	200k Baud	NA	2.0-3.6V	18mA	FSK/ASK	MLF™-24

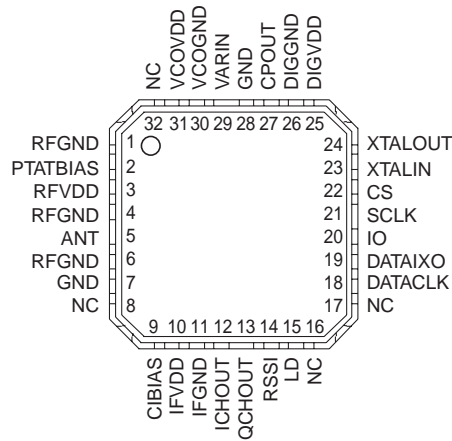
## Ordering Information

Part Number	Junction Temp. Range <sup>(1)</sup>	Package
MICRF506YML TR	-40° to +85°C	Lead free 32-Pin MLF™
MICRF506BML TR	-40° to +85°C	32-Pin MLF™

## Block Diagram



## Pin Configuration



**MICRF506BML**  
**32-Pin MLF™**

## Pin Description

Pin Number	Pin Name	Type	Pin Function
1	RFGND		LNA and PA ground.
2	PTATBIAS	O	Connection for bias resistor.
3	RFVDD		LNA and PA power supply.
4	RFGND		LNA and PA ground.
5	ANT	I/O	Antenna In/Output.
6	RFGND		LNA and PA ground.
7	RFGND		LNA and PA ground.
8	NC		No connect.
9	CIBIAS	O	Connection for bias resistor.
10	IFVDD		IF/mixer power supply.
11	IFGND		IF/mixer ground.
12	ICHOUT	O	Test pin.
13	QCHOUT	O	Test pin.
14	RSSI	O	Received signal strength indicator.
15	LD	O	PLL lock detect.
16	NC		No connect.
17	NC		No connect

Pin Number	Pin Name	Type	Pin Function
18	DATACLK	O	RX/TX data clock output.
19	DATAIXO	I/O	RX/TX data input/output.
20	IO	I/O	3-wire interface data in/output.
21	SCLK	I	3-wire interface serial clock.
22	CS	I	3-wire interface chip select.
23	XTALIN	I	Crystal oscillator input.
24	XTALOUT	O	Crystal oscillator output.
25	DIGVDD		Digital power supply.
26	DIGGND		Digital ground.
27	CPOUT	O	PLL charge pump output.
28	GND		Substrate ground.
29	VARIN	I	VCO varactor.
30	VCOGND		VCO ground.
31	VCOVDD		VCO power supply.
32	NC		No connect.

### Absolute Maximum Ratings<sup>(1)</sup>

Supply Voltage (V <sub>DD</sub> ) .....	+2.7V
Voltage on any pin (GND = 0V). .....	-0.3V to 2.7V
Storage Temperature (T <sub>s</sub> ).....	-55°C to +150°C
ESD Rating <sup>(3)</sup> .....	<b>2kV</b>

### Operating Ratings<sup>(2)</sup>

Supply voltage (V <sub>IN</sub> ) .....	+2.0V to +2.5V
RF Frequencies .....	410MHz to 450MHz
Data Rate .....	<200kBaud
Ambient Temperature (T <sub>A</sub> ).....	-40°C to +85°C
Package Thermal Resistance	
MLF™ (θ <sub>JA</sub> ).....	41.7°C/W

### Electrical Characteristics<sup>(4)</sup>

f<sub>RF</sub> = 433MHz. Data-rate = 125kbps, Modulation type = closed-loop VCO modulation, V<sub>DD</sub> = 2.5V; T<sub>A</sub> = 25°C, bold values indicate -40°C ≤ T<sub>A</sub> ≤ +85°C, unless noted.

Symbol	Parameter	Condition	Min	Typ	Max	Units
	RF Frequency Operating Range		<b>410</b>		<b>450</b>	MHz
	Power Supply		<b>2.0</b>		<b>2.5</b>	V
	Power Down Current			0.3	<b>3</b>	μA
	Standby Current			280		μA
<b>VCO and PLL Section</b>						
	Reference Frequency		<b>4</b>		<b>40</b>	MHz
	PLL Lock Time <sup>(5)</sup> 3kHz bandwidth	433.75MHz to 434.25MHz		0.7	<b>1.3</b>	ms
		430MHz to 440MHz		1.3	<b>2</b>	ms
	PLL Lock Time <sup>(5)</sup> 20kHz bandwidth	433.75MHz to 434.25MHz		0.3		ms
	Switch Time <sup>(5)</sup> 3kHz loop bandwidth	Rx – Tx		1.0	<b>1.4</b>	ms
		Tx – Rx		1.0	<b>2.5</b>	ms
		Standby Rx		1.0	<b>3</b>	ms
		Standby Tx		1.0		ms
	Crystal Oscillator Start-Up Time	16MHz, 9pF load, 5.6pF loading capacitors		1.0		ms
	Charge Pump Current	VCP <sub>OUT</sub> = 1.1V, CP_HI = 0	<b>100</b>	125	<b>170</b>	μA
		VCP <sub>OUT</sub> = 1.1V, CP_HI = 1	<b>420</b>	500	<b>680</b>	μA
<b>Transmit Section</b>						
	Output Power	R <sub>LOAD</sub> = 50Ω, Pa2-0-111		11		dBm
		R <sub>LOAD</sub> = 50Ω, Pa2-0-001			-7	
	Output Power Tolerance	Over temperature range		1		dB
		Over power supply range			3	
	Tx Current Consumption	R <sub>LOAD</sub> = 50Ω, Pa2-0-111		21.5		mA
		R <sub>LOAD</sub> = 50Ω, Pa2-0-001		10.5		mA
		R <sub>LOAD</sub> = 50Ω, Pa2-0-000		8.0		mA
	Binary FSK Frequency Separation <sup>(5)</sup>	Birate = 200kbps	<b>20</b>		<b>500</b>	kHz
	Data Rate <sup>(5)</sup>	VCO modulation	<b>20</b>		<b>200</b>	kbps
		Divider modulation				<b>20</b>

Symbol	Parameter	Condition	Min	Typ	Max	Units	
	Occupied bandwidth <sup>(5)</sup>	38.4kbps, $\beta = 2$ , 20dBc		140		kHz	
		125kbps, $\beta = 2$ , 20dBc		550		kHz	
		200kbps, $\beta = 2$ , 20dBc		800		kHz	
	Harmonics 434MHz <sup>(5)</sup>	ETSI EN300 220 (Using antenna matching network)			-36	dBm	
	Spurious Emission in Restricted bands < 1GHz <sup>(5)</sup>				-54	dBm	
	Spurious Emission < 1GHz <sup>(5)</sup>				-36	dBm	
	Spurious Emission > 1GHz <sup>(5)</sup>				-30	dBm	
<b>Receive Section</b>							
	Rx Current Consumption	All functions turned on		12		mA	
		LNA bypass		10.3		mA	
		Switch cap filter bypass with LNA		9.8		mA	
		Bypass of Switch cap and LNA		8.0		mA	
	Rx Current Consumption Variation	Over temperature		3		mA	
	Receiver Sensitivity	2.4kbps, $\beta = 16$ , BER $10^{-3}$		-113		dBm	
		4.8kbps, $\beta = 16$ , BER $10^{-3}$		-111		dBm	
		19.2kbps, $\beta = 4$ , BER $10^{-3}$		-106		dBm	
		38.4kbps, $\beta = 4$ , BER $10^{-3}$		-104		dBm	
		76.8kbps, $\beta = 2$ , BER $10^{-3}$		-101		dBm	
		125kbps, $\beta = 2$ , BER $10^{-3}$		-100		dBm	
		200kbps, $\beta = 2$ , BER $10^{-3}$		-97		dBm	
	Receiver Maximum Input Power	125kbps, 125kHz deviation		+12		dBm	
		20kbps, 40kHz deviation		+2		dBm	
	Receiver Sensitivity Tolerance	Over temperature		4		dB	
		Over power supply range		1		dB	
	Receiver Bandwidth		50		350	kHz	
	Co-Channel Rejection	19.2 kbps, $\beta = 6$ , SC=133 kHz		-8		dB	
	Adjacent Channel Rejection	500kHz spacing, 19.2kbps, Main filter cut off frequency 133kHz		48		dB	
		1MHz ,19.2kbps, Main filter cut off frequency 133kHz		56		dB	
	Blocking	Desired signal: 19.2 kbps, $\beta = 6$ , 3dB above sens, SC=133 kHz	Offset $\pm 1$ MHz		61		dB
			Offset $\pm 2$ MHz		58		dB
			Offset $\pm 5$ MHz		46		dB
			Offset $\pm 10$ MHz		62		dB
			Offset $\pm 30$ MHz		75		dB
	1dB Compression			-34		dBm	
	Input IP3	2 tones with 1MHz separation		-25		dBm	
	LO Leakage			-90		dBm	
	Spurious Emission <sup>(5)</sup>	<1GHz, EN 300 220			-57	dBm	
		>1GHz, EN 300 220			-47	dBm	
	Input Impedance <sup>(5)</sup>			50		$\Omega$	

Symbol	Parameter	Condition	Min	Typ	Max	Units
	RSSI Dynamic Range			50		dB
	RSSI Output Range	Pin = -110dBm		0.9		V
		Pin = -60dBm		2		V
<b>Digital Inputs/Outputs</b>						
V <sub>IH</sub>	Logic Input High		0.7V <sub>DD</sub>		V <sub>DD</sub>	V
V <sub>IL</sub>	Logic Input Low		0		0.3V <sub>DD</sub>	V
	Clock/Data Frequency <sup>(5)</sup>				10	MHz
	Clock/Data Duty Cycle <sup>(5)</sup>		45		55	%

Notes:

1. Exceeding the absolute maximum rating may damage the device.
2. The device is not guaranteed to function outside its operating rating.
3. Devices are ESD sensitive. Handling precautions recommended. Human body model, 1.5k in series with 100pF.
4. Specification for packaged product only.
5. Guaranteed by design.



## Programming

### General

The MICRF506 functions are enabled through a number of programming bits. The programming bits are organized as a set of addressable control registers, each register holding 8 bits.

There are 23 control registers in total in the MICRF506, and they have addresses ranging from 0 to 22. The user can read all the control registers. The user can write to the first 22 registers (0 to 21); the register 22 is a read-only register.

All control registers hold 8 bits and all 8 bits must be written to when accessing a control register, or they will be read. Some of the registers do not utilize all 8 bits. The value of an unused bit is “don’t care.”

The control register with address 0 is referred to as ControlRegister0, the control register with address 1 is ControlRegister1 and so on. A summary of the control registers is given in the table below. In addition to the unused bits (marked with “-”) there are a number of mandatory bits (marked with “0” or “1”). Always maintain these as shown in the table.

The control registers in MICRF506 are accessed through a 3-wire interface; clock, data and chip select. These lines are referred to as SCLK, IO, and CS, respectively. This 3-wire interface is dedicated to control register access and is referred to as the control interface. Received data (via RF) and data to transmit (via RF) are handled by the DataXO and DataClk (if enabled) lines; this is referred to as the data interface.

The SCLK line is applied externally; access to the control registers are carried out at a rate determined by the user. The MICRF506 will ignore transitions on the SCLK line if the CS line is inactive. The MICRF506 can be put on a bus, sharing clock and data lines with other devices.

All control registers should be written to after a battery reset. During operation, it is sufficient to write to one register only. The MICRF506 will automatically enter power down mode after a battery reset.

Adr	Data							
	D7	D6	D5	D4	D3	D2	D1	D0
0000000	LNA_by	PA2	PA1	PA0	Sync_en	Mode1	Mode0	Load_en
0000001	Modulation1	Modulation0	'0'	'0'	RSSI_en	LD_en	PF_FC1	PF_FC0
0000010	CP_HI	SC_by	'0'	PA_By	OUTS3	OUTS2	OUTS1	OUTS0
0000011	'1'	'1'	'0'	VCO_IB2	VCO_IB1	VCO_IB0	VCO_freq1	VCO_freq0
0000100	Mod_F2	Mod_F1	Mod_F0	Mod_I4	Mod_I3	Mod_I2	Mod_I1	Mod_I0
0000101	-	-	'0'	'1'	Mod_A3	Mod_A2	Mod_A1	Mod_A0
0000110	-	Mod_clkS2	Mod_clkS1	Mod_clkS0	BitSync_clkS2	BitSync_clkS1	BitSync_clkS0	BitRate_clkS2
0000111	BitRate_clkS1	BitRate_clkS0	RefClk_K5	RefClk_K4	RefClk_K3	RefClk_K2	RefClk_K1	RefClk_K0
0001000	'1'	'1'	'0'	ScClk4	ScClk3	ScClk2	ScClk1	ScClk0
0001001	'0'	'0'	'1'	XCOtune4	XCOtune3	XCOtune2	XCOtune1	XCOtune0
0001010	-	-	A0_5	A0_4	A0_3	A0_2	A0_1	A0_0
0001011	-	-	-	-	N0_11	N0_10	N0_9	N0_8
0001100	N0_7	N0_6	N0_5	N0_4	N0_3	N0_2	N0_1	N0_0
0001101	-	-	-	-	M0_11	M0_10	M0_9	M0_8
0001110	M0_7	M0_6	M0_5	M0_4	M0_3	M0_2	M0_1	M0_0
0001111	-	-	A1_5	A1_4	A1_3	A1_2	A1_1	A1_0
0010000	-	-	-	-	N1_11	N1_10	N1_9	N1_8
0010001	N1_7	N1_6	N1_5	N1_4	N1_3	N1_2	N1_1	N1_0
0010010	-	-	-	-	M1_11	M1_10	M1_9	M1_8
0010011	M1_7	M1_6	M1_5	M1_4	M1_3	M1_2	M1_1	M1_0
0010100	'1'	'0'	'1'	'0'	'0'	'0'	'1'	'1'
0010101	-	-	-	-	FEEC_3	FEEC_2	FEEC_1	FEEC_0
0010110	FEE_7	FEE_6	FEE_5	FEE_4	FEE_3	FEE_2	FEE_1	FEE_0

Names of programming bits, unused bits (“-”) and mandatory bits (“1” or “0”) are shown. Change of mandatory bits may cause malfunction.

**Table 1. Control Registers in MICRF506**

**Writing to the control registers in MICRF506**

Writing: A number of octets are entered into MICRF506 followed by a load-signal to activate the new setting. Making these events is referred to as a "write sequence." It is possible to update all, 1, or n control registers in a write sequence. The address to write to (or the first address to write to) can be any valid address (0-21). The IO line is always an input to the MICRF506 (output from user) when writing.

**What to write:**

- The address of the control register to write to (or if more than 1 control register should be written to, the address of the 1<sup>st</sup> control register to write to).
- A bit to enable reading or writing of the control registers. This bit is called the R/W bit.
- The values to write into the control register(s).

What to write:

Field	Comments
Address:	A 7-bit field, ranging from 0 to 21. MSB is written first.
R/W bit:	A 1-bit field, = "0" for writing
Values:	A number of octets (1-22 octets). MSB in every octet is written first. The first octet is written to the control register with the specified address (= "Address"). The next octet (if there is one) is written to the control register with address = "Address + 1" and so on.

**Table 2.**

**How to write:**

Bring CS active to active to start a write sequence. The active state of the CS line is "high." Use the SCLK/IO serial interface to clock "Address" and "R/W" bit and "Values" into the MICRF506. MICRF506 will sample the IO line at negative edges of SCLK. Make sure to change the state of the IO line before the negative edge. Refer to figures below.

Bring CS inactive to make an internal load-signal and complete the write-sequence. Note: there is an exception to this point. If the programming bit called "load\_en" (bit0 in ControlRegister0) is "0", then no load pulse is generated.

**The two different ways to "program the chip" are:**

- Write to a number of control registers (0-22) when the registers have incremental addresses (write to 1, all or n registers)
- Write to a number of control registers when the registers have non-incremental addresses.

**Writing to a Single Register**

Writing to a control register with address "A6. A5, ...A0" is described here. During operation, writing to 1 register is sufficient to change the way the transceiver works. Typical example: Change from receive mode to power-down.

What to write:

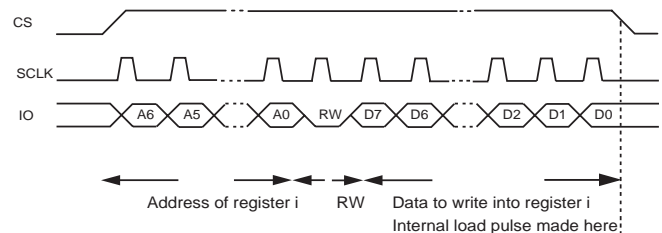
Field	Comments
Address:	7 bit = A6, A5, ...A0 (A6 = msb. A0 = lsb)
R/W bit:	"0" for writing
Values:	8 bits = D7, D6, ...D0 (D7 = msb, D0 = lsb)

**Table 3.**

"Address" and "R/W bit" together make 1 octet. In addition, 1 octet with programming bits is entered. In total, 2 octets are clocked into the MICRF506.

**How to write:**

- Bring CS high
- Use SCLK and IO to clock in the 2 octets
- Bring CS low



**Figure 1.**

In Figure 1, IO is changed at positive edges of SCLK. The MICRF506 samples the IO line at negative edges. The value of the R/W bits is always "0" for writing.

**Writing to All Registers**

After a power-on, all writable registers should be written. This is described here.

Writing to all register can be done at any time. To get the simplest firmware, always write to all registers. The price to pay for the simplicity is increased write-time, which leads to increased time to change the way the MICRF506 works.

What to write

Field	Comments
Address:	'000000' (address of the first register to write to, which is 0)
R/W bit:	"0" for writing
Values:	1 <sup>st</sup> Octet: wanted values for ControlRegister0. 2 <sup>nd</sup> Octet: wanted values for ControlRegister1 and so on for all of the octets. So the 22 <sup>nd</sup> octet wants values for ControlRegister21. Refer to the specific sections of this document for actual values.

**Table 4.**

"Address" and "R/W bit" together make 1 octet. In addition, 22 octets with programming bits are entered. In total, 23 octets are clocked into the MICRF506.

**How to write:**

- Bring CS high
- Use SCLK and IO to clock in the 23 octets
- Bring CS low

Refer to the figure in the next section, "Writing to n registers having incremental addresses".

**Writing to n Registers having Incremental Addresses**

In addition to entering all bytes, it is also possible to enter a set of n bytes, starting from address i = "A6, A5, ... A0". Typical example: Clock in a new set of frequency dividers (i.e. change the RF frequency). "Incremental addresses". Registers to be written are located in i, i+1, i+2.

What to write

Field	Comments
Address:	7 bit = A6, A5, ...A0 (A6 = msb. A0 = lsb) (address of first byte to write to)
R/W bit:	"0" for writing
Values:	n* 8 bits = D7, D6, ...D0 (D7 = msb, D0 = lsb) (written to control reg. with address "i") D7, D6, ...D0 (D7 = msb, D0 = lsb) (written to control reg. with address "i+1")  D7, D6, ...D0 (D7 = msb, D0 = lsb) (written to control reg. with address "i+n-1")

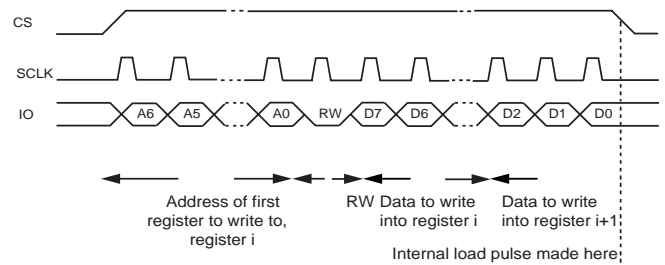
**Table 5.**

"Address" and "R/W bit" together make 1 octet. In addition, n octets with programming bits are entered. Totally, 1 +n octets are clocked into the MICRF506.

**How to write:**

- Bring CS high
- Use SCLK and IO to clock in the 1 + n octets
- Bring CS low

In Figure 1, IO is changed at positive edges of SCLK. The MICRF506 samples the IO line at negative edges. The value of the R/W bits is always "0" for writing.



**Figure 2.**

### Writing to n Registers having Non-Incremental Addresses

Registers with non-incremental addresses can be written to in one write-sequence as well. Example of non-incremental addresses: "0,1,3". However, this requires more overhead, and the user should consider the possibility to make a "continuous" update, for example, by writing to "0,1,2,3" (writing the present value of "2" into "2"). The simplest firmware is achieved by always writing to all registers. Refer to previous sections.

This write-sequence is divided into several sub-parts:

- Disable the generation of load-signals by clearing bit "load\_en" (bit0 in ControlRegister0)
- Repeat for each group of register having incremental addresses:
  - Bring CS active
  - Enter first address for this group, R/W bit and values
  - Bring CS inactive
  - Finally, enable and make a load-signal by setting "load\_en"

Refer to the previous sections for how to write to 1 or n (with incremental addresses) registers in the MICRF506.

### Reading from the control registers in MICRF506

The "read-sequence" is:

1. Enter address and R/W bit
2. Change direction of IO line
3. Read out a number of octets and change IO direction back again.

It is possible to read all, 1 or n registers. The address to read from (or the first address to read from) can be any valid address (0-22). Reading is not destructive, i.e. values are not changed. The IO line is output from the MICRF506 (input to user) for a part of the read-sequence. Refer to procedure description below.

A read-sequence is described for reading n registers, where n is number 1-23.

### Reading n registers from MICRF506

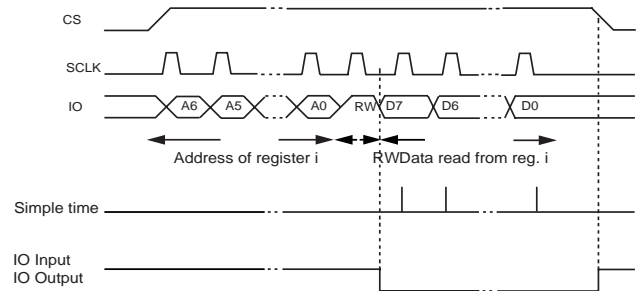


Figure 3.

In the figure, 1 register is read. The address is A6, A5, ... A0. A6 = msb. The data read out is D7, D6, ...D0. The value of the R/W bit is always "1" for reading.

SCLK and IO together form a serial interface. SCLK is applied externally for reading as well as for writing.

- Bring CS active
- Enter address to read from (or the first address to read from) (7 bits) and
- The R/W bit = 1 to enable reading
- Make the IO line an input to the user (set pin in tristate)
- Read n octets. The first rising edge of SCLK will set the IO as an output from the MICRF506. MICRF will change the IO line at positive edges. The user should read the IO line at the negative edges.
- Make the IO line an output from the user again.

### Programming interface timing

Figure 4 and Table 6 shows the timing specification for the 3-wire serial programming interface.

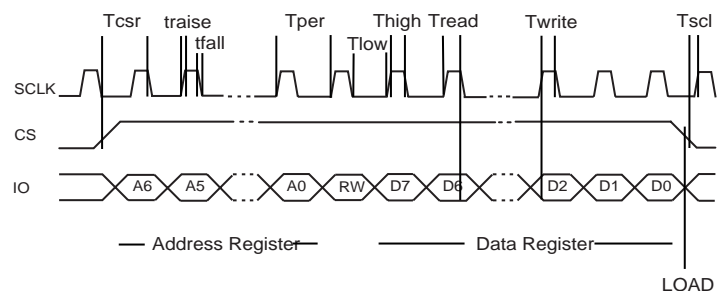


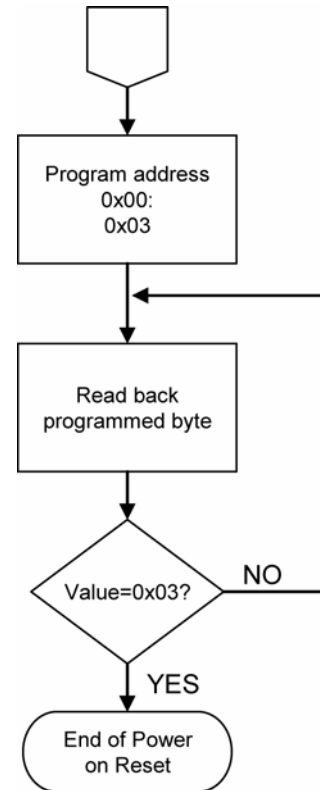
Figure 4.

Symbol	Parameter	Values			Units
		Min.	Typ.	Max.	
Tper	Min. period of SCLK	50			ns
Thigh	Min. high time of SCLK	20			ns
Tlow	Min. low time of SCLK	20			ns
tfall	Max. time of falling edge of SCLK			1	μs
trise	Max. time of rising edge of SCLK			1	μs
Tcsr	Max. time of rising edge of CS to falling edge of SCLK	0			ns
Tcsf	Min. delay from rising edge of CS to rising edge of SCLK	5			ns
Twrite	Min. delay from valid IO to falling edge of SCLK during a write operation	0			ns
Tread	Min. delay from rising edge of SCLK to valid IO during a read operation (assuming load capacitance of IO is 25pF)	75			ns

**Table 6. Timing Specification for the 3-wire Programming Interface**

**Power on Reset**

When applying voltage to the MICRF506 a power on reset state is entered. During the time period of power on reset, the MICRF506 should be considered to be in an unknown state and the user should wait until completed (See Table 6). The power on reset timing given in table 6 is covering all conditions and should be treated as a maximum delay time. In some application it might be beneficial to minimize the power on reset time. In these cases we recommend to follow below procedure:

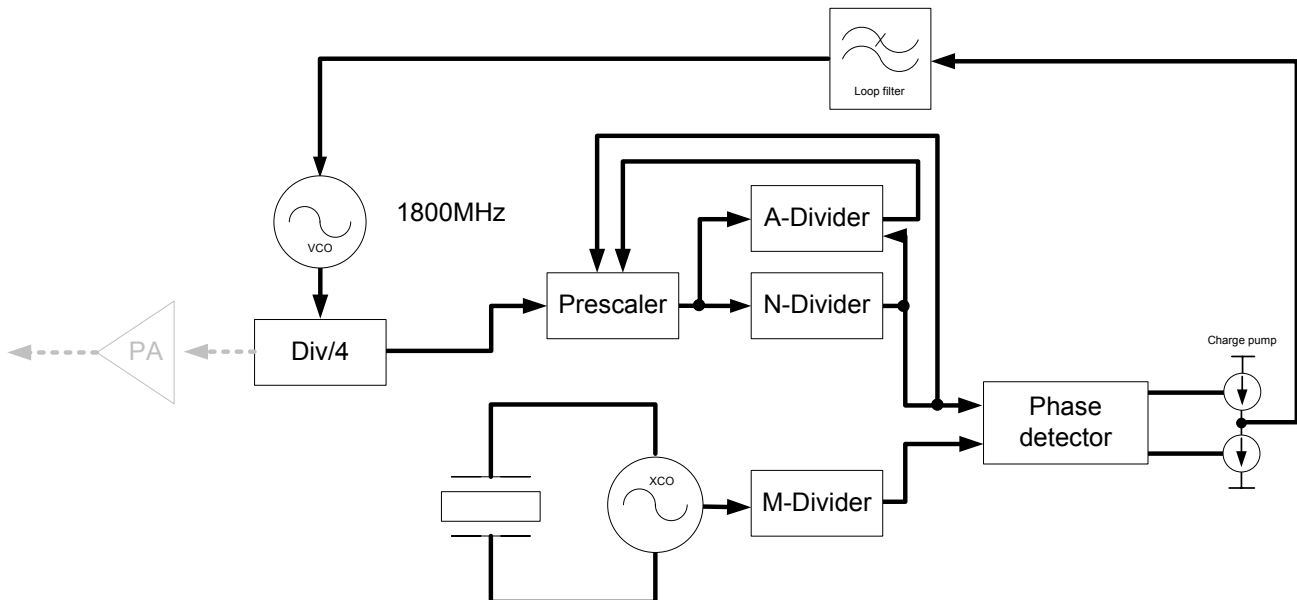


**Programming summary**

- Use CS, SCLK, and IO to get access to the control registers in MICRF506.
  - SCLK is user-controlled.
  - Write to the MICRF506 at positive edges (MICRF506 reads at negative edges).
  - Read from the MICRF506 at negative edges (MICRF506 writes at positive edges)
  - After power-on: Write to the complete set of control registers.
  - Address field is 7 bits long. Enter msb first.
  - R/W bit is 1 bit long (“1” for read, “0” for write)
  - Address and R/W bit together make 1 octet
  - All control registers are 8 bits long.
- Enter/read msb in every octet first.
- Always write 8 bits to/read 8 bits from a control register. This is the case for registers with less than 8 used programming bits as well.
  - Writing: Bring CS high, write address and R/W bit followed by the new values to fill into the addressed control register(s) and bring CS low for loading, i.e. activation of the new control register values (“load\_en” = 1).
  - Reading: Bring CS high, write address and R/W bit, set IO as an input, read present contents of the addressed control register(s), bring CS low and set IO an output.

### Frequency Synthesizer

The MICRF506 frequency synthesizer consists of a voltage-controlled oscillator (VCO), a crystal oscillator, dual modulus prescaler, programmable frequency dividers and a phase-detector. The loop-filter is external for flexibility and can be a simple passive circuit. The phase detector compares frequencies of two signals and produces an error signal which is proportional to the difference between the input frequencies. The error signal is used to control a voltage-controlled oscillator (VCO) which creates an output frequency. The output frequency is fed through a frequency divider back to the input of the phase detector, producing a feedback loop. If the output frequency drifts, the error signal will increase, driving the frequency in the opposite direction so as to reduce the error. Thus the output is locked to the frequency at the other input. This input is called the reference and is derived from a crystal oscillator, which is very stable in frequency. The block diagram below shows the basic elements and arrangement of a PLL based frequency synthesizer. The MICRF506 has a dual modulus prescaler for increased frequency resolution. In a dual modulus prescaler the main divider is split into two parts, the main part N and an additional divider A, where  $A < N$ . Both dividers are clocked from the output of the dual-modulus prescaler, but only the output of the N divider is fed into the phase detector. The prescaler will first divide by 16. Both N and A count down until A reaches zero, at which point the prescaler is switched to a division ratio  $16+1$ . At this point, the divider N has completed A counts. Counting continues until N reaches zero, which is an additional  $N-A$  counts. At this point the cycle repeats.



A6...A0	D7	D6	D5	D4	D3	D2	D1	D0
0001010	-	-	A0_5	A0_4	A0_3	A0_2	A0_1	A0_0
0001011	-	-	-	-	N0_11	N0_10	N0_9	N0_8
0001100	N0_7	N0_6	N0_5	N0_4	N0_3	N0_2	N0_1	N0_0
0001101	-	-	-	-	M0_11	M0_10	M0_9	M0_8
0001110	M0_7	M0_6	M0_5	M0_4	M0_3	M0_2	M0_1	M0_0
0001111	-	-	A1_5	A1_4	A1_3	A1_2	A1_1	A1_0
0010000	-	-	-	-	N1_11	N1_10	N1_9	N1_8
0010001	N1_7	N1_6	N1_5	N1_4	N1_3	N1_2	N1_1	N1_0
0010010	-	-	-	-	M1_11	M1_10	M1_9	M1_8
0010011	M1_7	M1_6	M1_5	M1_4	M1_3	M1_2	M1_1	M1_0

The lengths of the N, M, and A registers are 12, 12 and 6 respectively. The values can be calculated from the following formula:

$$f_{PhD} = \frac{f_{XCO}}{M} = \frac{f_{VCO}}{(16 \times N + A) \times 2} = \frac{f_{RF} \times 2}{(16 \times N + A)}$$

M ≠ 0  
1 ≤ A < N

where

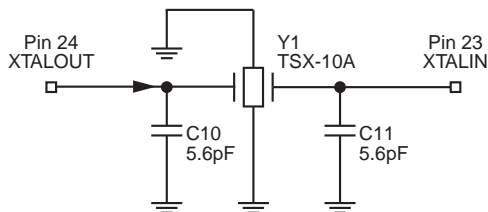
- f<sub>PhD</sub>: Phase detector comparison frequency
- f<sub>XCO</sub>: Crystal oscillator frequency
- f<sub>VCO</sub>: Voltage controlled oscillator frequency
- f<sub>RF</sub>: RF carrier frequency

There are two sets of each of the divide factors (i.e. A0 and A1). If modulation by using the dividers is selected (that is Modulation1=1, Modulation0=0), the two sets should be programmed to give two RF frequencies, separated by two times the specified frequency deviation. For all other modulation methods, and also in receive mode, the 0-set will be used.

**Crystal Oscillator (XCO)**

Adr	D7	D6	D5	D4	D3	D2	D1	D0
0001001	'0'	'0'	'1'	XCOtune4	XCOtune3	XCOtune2	XCOtune1	XCOtune0

The crystal oscillator is a very critical block. As the crystal oscillator is a reference for the RF output frequency and also for the LO frequency in the receiver, very good phase and frequency stability is required. The schematic of the crystal oscillator's external components for 16MHz are shown in Figure 5.



**Figure 5. Crystal Oscillator Circuit**

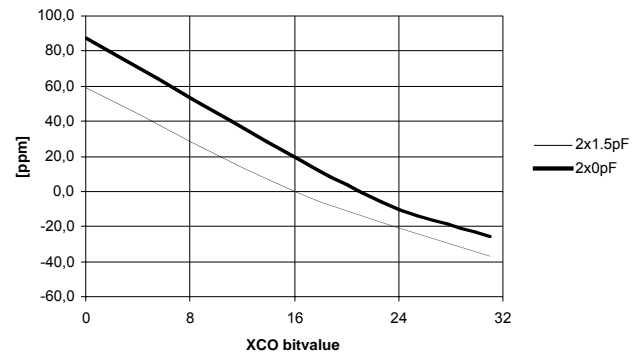
The crystal should be connected between pins XTALIN and XTALOUT (pin 23 and 24). In addition, loading capacitors for the crystal are required. The loading capacitor values depend on the total load capacitance, C<sub>L</sub>, specified for the crystal. The load capacitance seen between the crystal terminals should be equal to C<sub>L</sub> for the crystal to oscillate at the specified frequency.

$$C_L = \frac{1}{\frac{1}{C_{10}} + \frac{1}{C_{11}}} + C_{\text{parasitic}}$$

The parasitic capacitance is the pin input capacitance and PCB stray capacitance. Typically, the total parasitic capacitance is around 6pF. For instance, for a 9pF load crystal the recommended values of the external load capacitors are 5.6pF.

It is also possible to tune the crystal oscillator internally by switching in internal capacitance using 5 tune bits XCOtune4 – XCOtune0. When XCOtune4 – XCOtune0 = 0 no internal capacitors are connected to the crystal pins. When XCOtune4 – XCOtune0 = 1 all of the internal capacitors are connected to the crystal pins. Figure 6 shows the tuning range for two different capacitor values, 1.5pF and no capacitors.

The crystal used is a TN4-26011 from Toyocom. Specification: Package TSX-10A, Nominal frequency 16.000000 MHz, frequency tolerance ±10ppm, frequency stability ±9ppm, load capacitance 9pF, pulling sensitivity 15ppm/pF. When the external capacitors are set to 1.5pF and the XCOtune=16, the total capacitance will normally be ~9pF.



**Figure 6. XCO Tuning**

The start up time is given in Table 7. As can be seen, more capacitance will slow down the start up time.

The start-up time of a crystal oscillator is typically around a millisecond. Therefore, to save current consumption, the XCO is turned on before any other circuit block. During start-up the XCO amplitude will eventually reach a sufficient level to trigger the M-counter. After counting 2 M-counter output pulses the rest of the circuit will be turned on. The current consumption during the prestart period is approximately 280µA.



XCOtune	Start-up Time (µs)
0	590
1	590
2	700
4	700
8	810
16	1140
31	2050

**Table 7. Typical values with C<sub>EXT</sub> = 1.5pF**

If an external reference is used instead of a crystal, the signal shall be applied to pin 24, XTALOUT. Due to internal DC setting in the XCO, an AC coupling is recommended to be used between the external reference and the XTALOUT-pin.

**VCO**

A6..A0	D7	D6	D5	D4	D3	D2	D1	D0
0000011	'1'	'1'	'0'	VCO_IB2	VCO_IB1	VCO_IB0	VCO_freq1	VCO_freq0

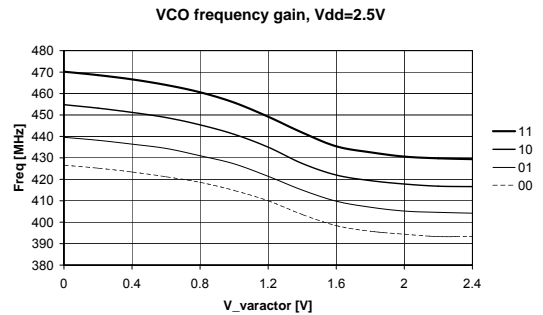
The VCO has no external components. It has three bits to set the bias current and two bits to set the VCO frequency. These five bits are set by the RF frequency, as follows:

RF freq.	VCO_IB2	VCO_IB1	VCO_IB0	VCO_freq1	VCO_freq0
410MHz	1	0	1	0	1
410-423MHz	1	0	1	0	1
423-436MHz	1	0	0	1	0
436-450MHz	0	1	1	1	1

**Table 8. VCO Bit Setting**

The bias bit will optimize the phase noise, and the frequency bit will control a capacitor bank in the VCO. The tuning range, the RF frequency versus varactor voltage, is dependent on the VCO frequency setting, and can be shown in Figure 7. When the tuning voltage is in the range from 0.9V to 1.4V, the VCO gain is at its maximum, approximately 32 to 35MHz/V. It is recommended that the varactor voltage stays in this range.

The input capacitance at the varactor pin must be taken into consideration when designing the PLL loop filter. This is most critical when designing a loop filter with high bandwidth, which gives relatively small component values. The input capacitance is approximately 6pF.



**Figure 7. RF Frequency vs. Varactor Voltage and VCO Frequency bit (V<sub>DD</sub> = 2.25V)**

**Charge Pump**

A6..A0	D7	D6	D5	D4	D3	D2	D1	D0
0000010	CP_HI	SC_by	'0'	PA_by	OUTS3	OUTS2	OUTS1	OUTS1

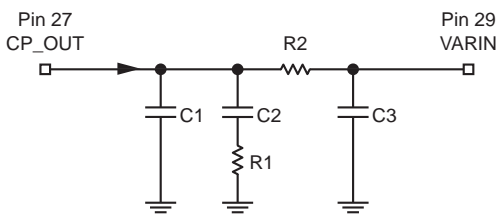
The charge pump current can be set to either 125µA or 500µA by CP\_HI ('1' → 500µA). This will affect the loop filter component values, see "PLL Filter" section. In most cases, the low current is best suited. For applications using phase detector frequency and high PLL bandwidth, the 500µA can be a better choice.

**PLL Filter**

The design of the PLL filter will strongly affect the performance of the frequency synthesizer. The PLL filter is kept externally for flexibility. Input parameters when designing the loop filter for the MICRF506 are mainly the modulation method and the bit rate. These choices will also affect the switching time and phase noise.

The frequency modulation can be done in two different ways with the MICRF506, either by VCO modulation or by modulation with the internal dividers (see chapter Frequency modulation for further details). In the first case, the PLL needs to lock on a new carrier frequency for every new data bit. Now the PLL bandwidth needs to be adequately high. It is recommended to use a third order filter to suppress the phase detector frequency, as this is not suppressed as much as when doing modulation on the VCO with a lower bandwidth filter.

A schematic for a second (R2=0 and C3=NC) and third order loop filter is shown in Figure 8.



**Figure 8. Second and Third Order Loop Filter**

Table 9 shows three different loop filters, the two first for VCO modulation and the last one for modulation using the internal dividers. The component values are calculated with RF frequency = 434MHz, VCO gain = 32MHz/V and charge pump current = 125µA. Other settings are shown in the table. The varactor pin capacitance (pin 29) of 5pF does not influence on the component values for the two filters with lowest bandwidth.

	Baud Rate (kbaud/sec)	PLL BW (kHz)	Phase Margin(°)	Phase Detector Freq. (kHz)	C1	C2	R1	R2	C3
VCO	>38.4	0.8	56	100	10nF	100nF	6.2kΩ	0	NC
VCO	>125	3.2	56	100	680pF	6.8nF	22kΩ	0	NC
Divider	<20	13	86	500	150pF	10nF	18kΩ	82kΩ	4.7pF

**Table 9. Loop Filter Components Values**

**Lock Detect**

A6..A0	D7	D6	D5	D4	D3	D2	D1	D0
0000001	Modulation1	Modulation0	'0'	'0'	RSSI_en	LD_en	PF_FC1	PF_FC0

A lock detector can be enabled by setting LD\_en = 1. When pin LD is high, it indicates that the PLL is in lock.

**Modes of Operation**

A6..A0	D7	D6	D5	D4	D3	D2	D1	D0
0000000	LNA_by	PA2	PA1	PA0	Sync_en	Mode1	Mode0	Load_en

Mode1	Mode0	State	Comments
0	0	Power down	Keeps register configuration
0	1	Standby	Only crystal oscillator running
1	0	Receive	Full receive
1	1	Transmit	Full transmit ex PA state

## Transceiver Sync/Non-Synchronous Mode

A6..A0	D7	D6	D5	D4	D3	D2	D1	D0
0000000	LNA_by	PA2	PA1	PA0	Sync_en	Mode1	Mode0	Load_en
0000110	-	Mod_clkS2	Mod_clkS1	Mod_clkS0	BitSync_clkS2	BitSync_clkS1	BitSync_clkS0	BitRate_clkS2
0000111	BitRate_clkS1	BitRate_clkS0	RefClk_K5	RefClk_K4	RefClk_K3	RefClk_K2	RefClk_K1	RefClk_K0

Sync_en	State	Comments
0	Rx: Bit synchronization off	Transparent reception of data
0	Tx: DataClk pin off	Transparent transmission of data
1	Rx: Bit synchronization on	Bit-clock is generated by transceiver
1	Tx: DATACLK pin on	Bit-clock is generated by transceiver

When Sync\_en = 1, it will enable the bit synchronizer in receive mode. The bit synchronizer clock needs to be programmed, see chapter Bit synchronizer. The synchronized clock will be set out on pin DATACLK.

In transmit mode, when Sync\_en = 1, the clock signal on pin DATACLK is a programmed bit rate clock. Now the transceiver controls the actual data rate. The data to be transmitted will be sampled on rising edge of DATACLK. The micro controller can therefore use the negative edge to change the data to be transmitted. The clock used for this purpose, BITRATE\_CLK, is programmed in the same way as the modulator clock and the bit synchronizer clock:

$$f_{\text{BITRATE\_CLK}} = \frac{f_{\text{XCO}}}{\text{Refclk\_K} \times 2^{(7-\text{BitRate\_clkS})}}$$

where:

$f_{\text{BITRATE\_CLK}}$ : The clock frequency used to control the bit rate, should be equal to the bit rate (bit rate of 20 kbit/sec requires a clock frequency of 20kHz)

$f_{\text{XCO}}$ : Crystal oscillator frequency

Refclk\_K: 6 bit divider, values between 1 and 63

BitRate\_clkS: Bit rate setting, values between 0 and 6

### Data Interface

The MICRF506 interface can be divided in to two separate interfaces, a “programming interface” and a “Data interface”. The “programming interface” has a three wire serial programmable interface and is described in chapter Programming.

The “data interface” can be programmed to sync-/non-synchronous mode. In synchronous mode the

MICRF506 is defined as “Master” and provides a data clock that allows users to utilize low cost micro controller reference frequency.

The data interface is defined in such a way that all user actions should take place on falling edge and is illustrated Figure 9 and 10. The two figures illustrate the relationship between DATACLK and DATAIXO in receive mode and transmit mode.

MICRF506 will present data on rising edge and the “USER” sample data on falling edge in receive mode.

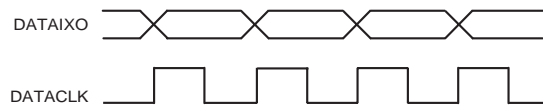


Figure 10. Data interface in Receive Mode

The User presents data on falling edge and MICRF506 samples on rising edge in transmit mode.



Figure 11. Data interface in Transmit Mode

When entering transmit mode it is important to keep DATAIXO in tri-state from the time Tx-mode is entered until user starts sending data. The data is provided directly to the modulation circuit and violation of this may/will cause abnormal behavior. Depending upon the chosen FSK modulation, some sort of encoding might be needed. The different modulation types and encoding is described in chapter Frequency modulation.

## Receiver

The receiver is a zero intermediate frequency (IF) type in order to make channel filtering possible with low-power integrated low-pass filters. The receiver consists of a low noise amplifier (LNA) that drives a quadrature mixer pair. The mixer outputs feed two identical signal channels in phase quadrature. Each channel include a pre-amplifier, a third order Sallen-Key RC lowpass filter from strong adjacent channel signals and finally a limiter. The main channel filter is a switched-capacitor implementation of a six-pole elliptic lowpass filter. The elliptic filter minimizes the total capacitance required for a given selectivity and dynamic range. The cut-off frequency of the Sallen-Key RC filter can be programmed to four different frequencies: 100kHz, 150kHz, 230kHz and 340kHz. The demodulator demodulates the I and Q channel outputs and produces a digital data output. If detects the relative phase of the I and Q channel signal. If the I channel signal lags the Q channel, the FSK tone frequency lies above the LO frequency (data '1'). If the I channel leads the Q channel, the FSK tone lies below the LO frequency (data '0'). The output of the receiver is available on the DataIXO pin. A RSSI circuit (receive signal strength indicator) indicates the received signal level.

### Front End

A6..A0	D7	D6	D5	D4	D3	D2	D1	D0
0000000	LNA_by	PA2	PA1	PA0	Sync_en	Mode1	Mode0	Load_en

A low noise amplifier in RF receivers is used to boost the incoming signal prior to the frequency conversion process. This is important in order to prevent mixer noise from dominating the overall front-end noise performance. The LNA is a two-stage amplifier and has a nominal gain of approximately 23dB at 434MHz. The front end has a gain of about 35dB to 38dB. The gain varies by 1-1.5dB over a 2.0V to 2.5V variation in power supply.

The LNA can be bypassed by setting bit LNA\_by to '1'. This can be useful for very strong input signal levels. The front-end gain with the LNA bypassed is about 12dB. The mixers have a going of about 10dB at 434MHz. The differential outputs of the mixers can be made available at pins lchOut and QchOut. The output impedance of each mixer is about 8kΩ.

The input impedance is close to 50Ω as shown in Figure 12, giving an input reflection of about -20dB. The receiver does not require any matching network to optimize the gain. However, a matching network is recommended for harmonic suppression in Tx and for improved selectivity in Rx.

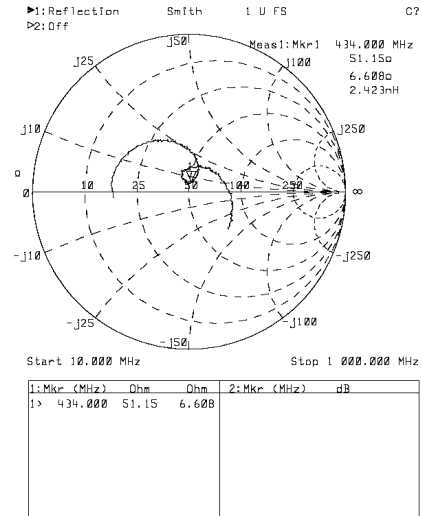


Figure 12. LNA Input Impedance

### Sallen-Key Filters

A6..A0	D7	D6	D5	D4	D3	D2	D1	D0
0000001	Modulation1	Modulation0	'0'	'0'	RSSI_en	LD_en	PF_FC1	PF_FC0

Each channel includes a pre-amplifier and a prefilter, which is a three-pole Sallen-Key lowpass filter. It protects the following switched-capacitor filter from strong adjacent channel signals, and it also works as an anti-aliasing filter. The preamplifier has a gain of 22dB. The maximum output voltage swing is about 1.4Vpp for a 2.25V power supply. In addition, the IF amplifier also performs offset cancellation. Gain varies by less than 0.5dB over a 2.0 – 2.5V variation in power supply. The third order Sallen-Key lowpass filter is programmable to four different cut-off frequencies according to the table below:

PF_FC1	PF_FC0	Cut-off Freq. (kHz)
0	0	100
0	1	150
1	0	230
1	1	340

**Switched Capacitor Filter**

A6..A0	D7	D6	D5	D4	D3	D2	D1	D0
0001000	'1'	ScClk_X2	'0'	ScClk4	ScClk3	ScClk2	ScClk1	ScClk0

The main channel filter is a switched-capacitor implementation of a six-pole elliptic low pass filter. The elliptic filter minimized the total capacitance required for a given selectivity and dynamic range. The cut-off frequency of the switched-capacitor filter is adjustable by changing the clock frequency.

The clock frequency is designed to be 20 times the cut-off frequency. The clock frequency is derived from the reference crystal oscillator. A programmable 6-bit divider divides the frequency of the crystal oscillator. To generate the correct non-overlapping clock-phases needed by the filter this frequency is then divided by 4. The cut-off frequency of the filter is given by:

$$f_{CUT} = \frac{f_{XCO}}{40 \cdot ScClk}$$

$f_{CUT}$ : Filter cutoff frequency

$f_{XCO}$ : Crystal oscillator frequency

ScClk: Switched capacitor filter clock, bits ScClk5-0

For instance, for a crystal frequency of 16MHz and if the 6 bit divider divides the input frequency by 4 the cut-off frequency of the SC filter is 16MHz/(40 x 4) = 100kHz. 1<sup>st</sup> order RC low pass filters are connected to the output of the SC filter-to-filter the clock frequency.

The lowest cutoff frequency in the pre- and the main channel filter must be set so that the received signal is passed with no attenuation, which is frequency deviation plus modulation. If there are any frequency offset between the transmitter and the receiver, this must also be taken into consideration. A formula for the receiver bandwidth can be summarized as follows:

$$f_{BW} = + f_{OFFSET} + f_{DEV} + Baudrate / 2$$

where

$f_{BW}$ : Needed receiver bandwidth,  $f_{cut}$  above should not be smaller than  $f_{BW}$  [Hz]

$f_{OFFSET}$ : Total frequency offset between receiver and transmitter [Hz]

$f_{DEV}$ : Single-sided frequency deviation, see chapter Modulator on how to calculate [Hz]

Baudrate: The baud rate given is bit/sec

**RSSI**

A6..A0	D7	D6	D5	D4	D3	D2	D1	D0
0000001	Modulation1	Modulation0	'0'	'0'	RSSI_en	LD_en	PF_FC1	PF_FC0

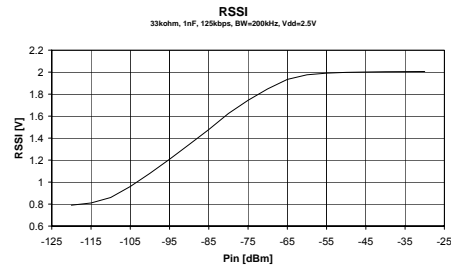


Figure 13. RSSI Voltage

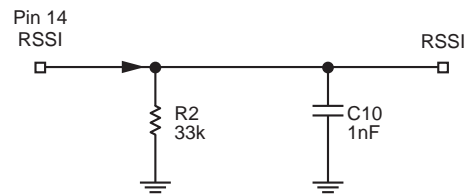


Figure 14. RSSI Network

A Typical plot of the RSSI voltage as function of input power is shown in Figure 13. The RSSI has a dynamic range of about 50dB from about -110dBm to -60dBm input power.

The RSSI can be used as a signal presence indicator. When a RF signal is received, the RSSI output increases. This could be used to wake up circuitry that is normally in a sleep mode configuration to conserve battery life.

Another application for which the RSSI could be used is to determine if transmit power can be reduced in a system. If the RSSI detects a strong signal, it could tell the transmitter to reduce the transmit power to reduce current consumption.

**FEE**

A6..A0	D7	D6	D5	D4	D3	D2	D1	D0
0010101	-	-	-	-	FEEC_3	FEEC_2	FEEC_1	FEEC_0
0010110	FEE_7	FEE_6	FEE_5	FEE_4	FEE_3	FEE_2	FEE_1	FEE_0

The Frequency Error Estimator (FEE) uses information from the demodulator to calculate the frequency offset between its receive frequency and the transmitter frequency. The output of the FEE can be used to tune the XCO frequency, both for production calibration and for compensation for crystal temperature drift and aging.

The inputs to the FEE circuit are the up and down pulses from the demodulator. Every time a '1' is updated, an UP-pulse is coming out of the demodulator, and the same with the DN-pulse every time the '0' is updated. The expected number of pulses for every received symbol is 2 times the modulation index ( $\Delta$ ).

The FEE can operate in three different modes; counting only UP-pulses, only DN-pulses or counting UP+DN pulses. The number of received symbols to be counted is either 8, 16, 32 or 64. This is set by the FEEC\_0...FEEC\_3 control bit, as follows:

FEEC_1	FEEC_0	FEE Mode
0	0	Off
0	1	Counting UP pulses
1	0	Counting DN pulses
1	1	Counting UP and DN pulses. UP increments the counter, DN decrements it.
FEEC_3	FEEC_2	No. of symbols used for the measurement
0	0	8
0	1	16
1	0	32
1	1	65

**Table 10. FEEC Control Bit**

The result of the measurement is the FEE value, this can be read from register with address 0010110b. Negative values are stored as a binary no between 0000000 and 1111111. To calculate the negative value, a two's complement of this value must be performed. Only FEE modes where DN-pulses are counted (10 and 11) will give a negative value.

When the FEE value has been read, the frequency offset can be calculated as follows:

- Mode UP:         $\text{Foffset} = R/(2P) \times (FEE - \Delta F_p)$
- Mode DN:         $\text{Foffset} = R/(2P) \times (FEE + \Delta F_p)$
- Mode UP+DN:    $\text{Foffset} = R/(4P) \times (FEE)$

where FEE is the value stored in the FEE register, ( $F_p$  is the single sided frequency deviation, P is the number of symbols/data bit counted and R is the symbol/data rate. A positive Foffset means that the received signal has a higher frequency than the receiver frequency. To compensate for this, the receivers XCO frequency should be increased (see ANNEX A) on how to tune the XCO frequency based on the FEE value).

It is recommended to use Mode UP+DN for two reasons, you do not need to know the actual frequency deviation and this mode gives the best accuracy.

**Bit Synchronizer**

A6..A0	D7	D6	D5	D4	D3	D2	D1	D0
0000110	-	ModclkS2	ModclkS1	ModclkS0	BitSync_clkS2	BitSync_clkS1	BitSync_clkS0	BitRate_clkS2
0000111	BitRate_clkS1	BitRate_clkS0	RefClk_K5	RefClk_K4	RefClk_K3	RefClk_K2	RefClk_K1	RefClk_K0

A bit synchronizer can be enabled in receive mode by selecting the synchronous mode (Sync\_en=1). The DataClk pin will output a clock with twice the frequency of the bit rate (a bit rate of 20 kbit/sec gives a DataClk of 20 kHz). A received symbol/bit on DataI/O will be output on rising edge of DataClk. The micro controller should therefore sample the symbol/bit on falling edge of DataClk.

The bit synchronizer uses a clock which needs to be programmed according to the bit rate. The clock frequency should be 16 times the actual bit rate (a bit rate of 20 kbit/sec needs a bit synchronizer clock with frequency of 320 kHz). The clock frequency is set by the following formula:

$$f_{\text{BITSYNC\_CLK}} = \frac{f_{\text{XCO}}}{\text{Refclk\_K} \times 2^{(7-\text{BITSYNC\_clkS})}}$$

where

$f_{\text{BITSYNC\_CLK}}$ : The bit synchronizer clock frequency (16 times higher than the bit rate)

$f_{\text{XCO}}$ : Crystal oscillator frequency

Refclk\_K: 6 bit divider, values between 1 and 63

BitSync\_clkS: Bit synchronizer setting, values between 0 and 7

Refclk\_K is also used to derive the modulator clock and the bit rate clock.

At the beginning of a received data package, the bit synchronizer clock frequency is not synchronized to the bit rate. When these two are maximum offset to each other, it takes 22 bit/symbols before synchronization is achieved.

## Transmitter

### Power Amplifier

A6..A0	D7	D6	D5	D4	D3	D2	D1	D0
0000000	LNA_by	PA2	PA1	PA0	Sync_en	Mode1	Mode0	Load_en
0000001	Modulation1	Modulation0	'0'	'0'	RSSI_en	LD_en	PF_FC1	PF_FC0
0000010	CP_HI	SC_by	'0'	PA_By	OUTS3	OUTS2	OUTS1	OUTS0

The maximum output power is approximately 10dBm for a 50Ω load. For maximum output power the load seen by the PA must be resistive. Higher output power can be obtained by decreasing the load impedance. However, this will be in conflict with obtaining impedance match in the LNA. The output power is programmable in seven steps, with approximately 3dB between each step. This is controlled by bits PA2 – PA0.

The power amplifier can be turned off by setting PA2 – PA0 = 0.

For all other combinations the PA is on and has maximum power when PA2 – PA0 = 1.

The PA will be bypassed if PA\_by=1. Output power will drop ~22dB. It is still possible to control the power by PA2 – PA0.

The output power varies about 3dB over power supply 2.0V to 2.5V and about 2dB over temperature -40°C to +85°C. The 2<sup>nd</sup> and 3<sup>rd</sup> harmonic of the PA are as follows:

2<sup>nd</sup> harmonic: <-16dBm

3<sup>rd</sup> harmonic: <-8dBm

To reduce the emission of harmonics, an LC filter can be added between the ANT pin and the antenna as shown in Figure 15.

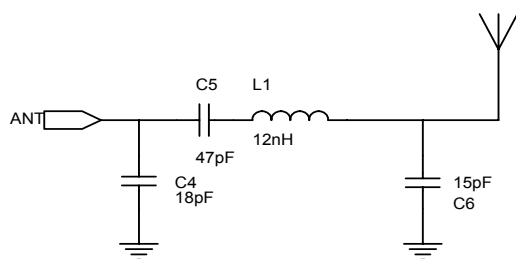


Figure 15. LC Filter

This filter is designed for the 434MHz band with 50Ω terminations. The component values may have to be tuned to compensate for the layout parasitics. This filter may also increase the receiver selectivity.

### Frequency Modulation

A6..A0	D7	D6	D5	D4	D3	D2	D1	D0
0000001	Modulation1	Modulation0	'0'	'0'	RSSI_en	LD_en	PF_FC1	PF_FC0

Modulation1	Modulation0	Modulation Type
0	0	Closed loop modulation using modulator
0	1	Not in use
1	0	FSK applied using two sets of dividers
1	1	Not in use

Table 11. Modulation Bit Setting

When Modulation1 and Modulation0 is 00, the modulator needs to be programmed properly, see “Modulator” section. The modulation signal will now be applied directly on the phase locked VCO. It is therefore important that the PLL bandwidth is not too high, as this will remove the modulation. See “PLL Filter” section on how to calculate the PLL components. When using the modulator the modulation signal is applied to the VCO and therefore some sort of encoding is needed.

The level of encoding is determined by the PLL loop filter bandwidth and data rate. Two of the most common encoding techniques are Manchester encoding and 3B4B. Other encoding schemes may also be used.

Manchester encoding is when one bit is encoded in to a two-bit word and is shown in Table 10. When using Manchester encoding the maximum overhead is 100%. When selecting PLL loop filter it is important to note that the min baud rate is equal to:

$$f_{\text{baud\_min}} = \frac{\text{baud /s}}{4}$$

$f_{\text{baud\_min}}$ : The minimum frequency of the baud rate [Hz]

baud/s: Elements per second (encoded data)

Data	Word
“0”	“10”
“1”	“01”



**Table 12. Manchester Encoding**

Another much more efficient encoding type is 3B4B where three data bits are encoded into a four-bit word. The reason for encoding is to minimize the DC component in the modulated data. To have minimum DC component each four bit word should include two elements of “1” and two elements of “0”. Following this guidance only 6 out of 8 word complies and two encoded words needs special precaution. Whenever 000 and 111 data appear, the user must set/clear a flag that indicate if last encoded word was “Word A” and select the respective encoded word shown in Table 11.

Data	Word A	Word B
000	1011	0100
001	1100	
010	0011	
011	1010	
100	0101	
101	1001	
110	0110	
111	1101	0010

**Table 13. 3B4B Encoding**

Data bits	Encoded words	Comments
000 000 000 000 000	1011 0100 1011 0100 1011	A Flag indicates if “Word A” has been used
111 111 010 110 000	1101 0010 0011 0110 1011	A Flag indicates if “Word A” has been used

**Table 14. Example of 3B4B encoding**

When Modulation1 Modulation0 is 10, two sets of divider values need to be programmed. The formula for calculating the M, N and A values is given in chapter Frequency synthesizer. The divider values stored in the M0-, N0-, and A0- registers will be used when transmitting a ‘0’ and the M1-, N1-, and A1- registers will be used to transmit a ‘1’. The difference between the two carrier frequencies corresponds to the double sided frequency modulation. Opposite from the modulation with the modulator, the PLL shall now lock on a new frequency for every change in the transmitted data. The PLL bandwidth therefore needs to be relatively high, higher bit rate requires a higher PLL bandwidth and vice versa. The data to be transmitted shall be applied to pin DataIXO (see chapter Transceiver sync-/non-synchronous mode on how to use the pin DataClk). The DataIXO pin is set as input in transmit mode and output in receive mode. When set as input, a weak voltage divider will set the level to Vdd/2, when it is not pulled up or down by the controller. When using the modulator, it is important that the DataIXO is kept tristated until the transmission shall begin (when PLL is in lock and the PA is turned on). When Data IXO is tristated, the PLL will lock on the LO frequency (used in receive mode). When DataIXO is set either high or low, the RF frequency will be shifted up or down, centered around the LO-frequency. This is only important when using the modulator, for the other modulation method, if DATAIXO is tristated, the M0-, N0- and A0-registers will be used.

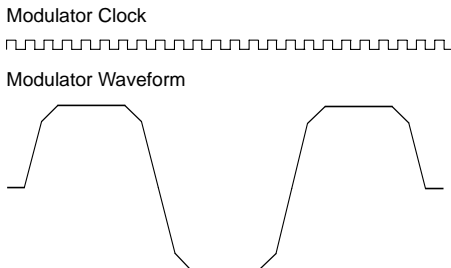
**Modulator**

A6..A0	D7	D6	D5	D4	D3	D2	D1	D0
0000100	Mod_F2	Mod_F1	Mod_F0	Mod_I4	Mod_I3	Mod_I2	Mod_I1	Mod_I0
0000101	-	-	'0'	'1'	Mod_A3	Mod_A2	Mod_A1	Mod_A0
0000110	-	Mod_clkS2	Mod_clkS1	Mod_clkS0	BitSync_clkS2	BitSync_clkS1	BitSync_clkS0	BitRate_clkS2
0000111	BitRate_clkS1	BitRate_clkS0	RefClk_K5	RefClk_K4	RefClk_K3	RefClk_K2	RefClk_K1	RefClk_K0

The modulator will create a waveform with programmable amplitude and frequency. This waveform is fed into a modulation varactor in the VCO, which will create the desired frequency modulation. The frequency spectrum can be narrowed by increasing the rise-and fall times of the waveform.

The modulator waveform is created by charging and discharging a capacitor. A modulator clock controls the timing, as shown in Figure19. For every rise-and fall edge, 4 clock periods are being used. The charging current during these 4 clock periods are not equal, this is to reduce the high frequency components in the waveform, which in turn will narrow the frequency spectrum.

The frequency deviation can be set in three different ways, as will be explained below. A formula for setting the desired deviation is given at the end of this chapter.



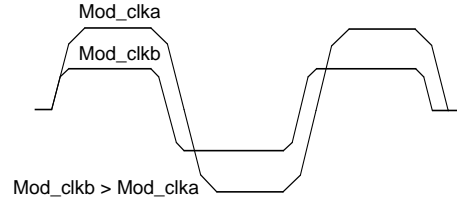
**Figure 19. Modulator Waveform and Clock**

**Modulator Clock**

The modulator clock frequency is set by:

$$f_{\text{MPOD\_CLK}} = \frac{f_{\text{XCO}}}{\text{Refclk\_K} \times 2^{(7-\text{Mod\_clkS})}}$$

where  $f_{\text{MOD\_CLK}}$  is the modulator clock shown in Figure 19,  $f_{\text{XCO}}$  is the crystal oscillator frequency Refclk\_K is a 6 bit number and Mod\_clkS is a 3 bit number. Mod\_clkS can be set to a value between 0 and 7. The modulator clock frequency should be set according to the bit rate and shaping.



**Figure 20. Two Different Modulator Clock Setting**

A  $f_{\text{MOD\_CLK}}$  of 8 times the bit rate (as in Figure 20) corresponds to a signal filtered in a Gaussian filter with a Bandwidth Period product (BT) of 1. When BT is increased, the waveform will be less filtered. Minimum BT is 1 ( $f_{\text{MOD\_CLK}}$  is 8 times the bitrate). Figure 20 shows two waveforms with BT=1 and BT=2, i.e. the  $f_{\text{MOD\_CLK}}$  is 8 and 16 times higher than the bit rate. When changing the BT factor, the charge-and discharge times will also be changed, and therefore the frequency deviation, as shown in Figure 19.

**Modulator Current**

The current used during the rise- and fall times can be programmed with the Mod\_I4..Mod\_I0 bit, the last one being LSB. Figure 21 shows two waveforms generated with two different currents, where  $\text{Mod\_Ia} > \text{Mod\_Ib}$ . Higher current will give a higher frequency deviation and vice versa. The effect of modulator clock and MOD\_1 is illustrated by:

$$f_{\text{DEVIATION}} \times \frac{\text{MOD\_1}}{f_{\text{MOD\_CLK}}}$$

To avoid saturation in the modulator it is important not to exceed maximum Mod\_I. Maximum Mod\_I for a given  $f_{\text{MOD\_clk}}$  is given by:

$$\text{MOD\_I}_{\text{MAX}} = \text{INT}(f_{\text{MOD\_CLK}} \cdot 28 \times 10^6) - 1$$

where INT() returns the integer part of the argument.

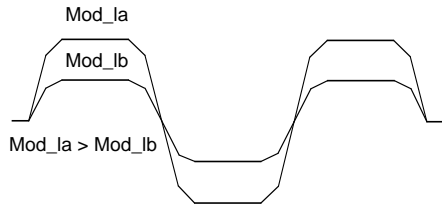


Figure 21. Two Different Modulator Current Settings

**Modulator Attenuator**

A third way to set the deviation is by programming the modulator attenuator, Mod\_A2..Mod\_A0, the last being LSB. The purpose of the attenuator is to allow small deviations when the bit rate is small and/or the BT is small (these settings will give a relatively slow modulator clock, and therefore long rise- and fall times, which in turn results in large frequency deviations). In addition, the attenuator will improve the resolution in the modulator.

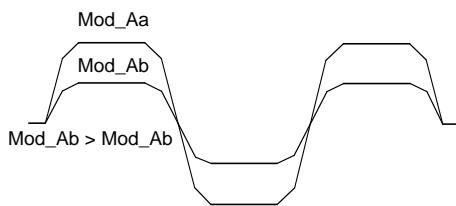


Figure 22. Two Different Modulator Attenuator Settings

The effect of the attenuator is given by:

$$f_{\text{DEVIATION}} \times \frac{1}{1 + \text{Mod}_A}$$

Figure 22 shows two waveforms with different attenuator setting: Mod\_Aa < Mod\_Ab . If Mod\_A is increased, the frequency deviation is lowered and vice versa.

**Modulator Filter**

To reduce the high-frequency components in the generated waveform, a filter with programmable cut-off frequency can be enabled. This is done using Mod\_F2..Mod\_F0, the least one being LSB. The Mod\_F should be set according to the formula:

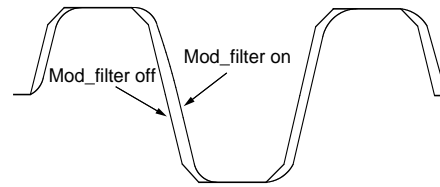


Figure 23. Modulator Waveform with and without Filtering

Mod\_F=0 disables the modulator filter and Mod\_F=7 gives most filtering. Figure 22 shows a waveform with and without the filter.

**Calculation of the Frequency Deviation**

The parameters influencing the frequency deviation can be summarized in the following equations:

$$f_{\text{MOD\_CLK}} = \frac{f_{\text{XCO}}}{\text{Refclk\_K} \times 2^{(7 - \text{Mod\_clkS})}}$$

$$f_{\text{DEV}} = \frac{\text{Mod}_I}{f_{\text{MOD\_CLK}}} \times \frac{1}{1 + \text{Mod}_A} \times (C_1 + C_2 \times f_{\text{RF}})$$

Where:

- f<sub>DEV</sub>: Single sided frequency deviation [Hz]
- f<sub>XCO</sub>: Crystal oscillator frequency [Hz]
- f<sub>RF</sub>: Center frequency [Hz]
- Refclk\_K: 6 bit divider, values between 1 and 63
- Mod\_clkS: Modulator clock setting, values between 0 and 7
- f<sub>MOD\_CLK</sub>: Modulator clock frequency, derived from the crystal frequency, Refclk\_K and Mod\_clkS
- Mod\_I: Modulator current setting, values between 0 and 31
- Mod\_A: Modulator attenuator setting, values between 0 and 15
- C1: -2.17·10<sup>10</sup>
- C2: 82

The modulator filter will not influence on the frequency deviation as long as the programmed cut-off frequency is above the actual bit rate.

The frequency deviation must be programmed so that the modulation index (2 x single sided frequency deviation/Baudrate [bps]) always is greater than or equal to 2 including the total frequency offset between the receiver and the transmitter:

$$f_{DEV} = \text{Baudrate} + f_{OFFSET}$$

The calculated  $f_{DEV}$  should be used to calculate the needed receiver bandwidth, see chapter Switched capacitor filter.

## Using the XCO-tune Bits

The RF chip has a built-in mechanism for tuning the frequency of the crystal oscillator and is often used in combination with the Frequency Error Estimator (FEE). The XCO tuning is designed to eliminate or reduce initial frequency tolerance of the crystal and/or the frequency stability over temperature. If the value in XCO\_tune is increased (adding capacitance), the frequency will decrease.

The XCO uses two external capacitors (see figure 5). The value of these will strongly affect the tuning range. With a 16.0 MHz crystal (TN4-26011 from Toyocom), and external capacitor values of 1.5 pF, the tuning range will be approximately symmetrical around the center frequency. A XCO\_tune >16 will decrease the frequency and vice versa (see figure 6).

A procedure for using the XCO\_tune feature in combination with the FEE is given below. The MICRF506 measures the frequency offset between the demodulated signal and the LO and tune the XCO so the LO frequency is equal to received carrier frequency.

A procedure like this can be called during production (storing the calibrated XCO\_tune value), at regular intervals or implemented in the communication protocol when the frequency has changed.

The FEE can count "UP"-pulses and/or "DOWN"-pulses (pulses out of the demodulator when a logic "1" or logic "0", resp., is received). The FEE can count pulses for n bits, where n = 8, 16, 32 or 64.

Example: In FEE, count up+down pulses, counting 8 bits:

A perfect case ==> FEE = 0

If FEE > 0: LO is too low, increase LO by decreasing XCO\_tune value

v.v. for FEE < 0

FEE field holds a number in the range -128, ... , 127. However, it keeps counting above/below the range, which is:

If FEE = -128 and still counting dwn-pulses:

1) =>-129 = +127

2) 126

3) 125

...

To avoid this situation, always make sure max count is between limits. Suggestion: Count for 8 (or 16) bits only.

Procedure description:

In the procedure below, UP+DWN pulses are counted, and only the sign of the FEE is used. The value of n is 8 or 16.

Assumption:

A transmitter is sending a 1010... pattern at the correct frequency and bitrate.

The wanted receiver frequency is the mid-point between the "0" and "1" frequencies.

Input:

Nothing

Output

The best XCO\_tune value (giving the lowest IFEEI)

Local variables:

XCO\_Present: (5-bit) holds present value in XCO\_tune bits

XCO\_Step: (4-bit) holds increment/decrement of XCO\_tune bits

SCO\_Sign: (1 bit) holds POS or NEG (increment/decrement) increasing LO is done by reducing the XCO\_tune value

### XCO TUNE PROCEDURE

INT:

XCO\_Present = 0

XCO\_Step = 32

XCO\_Sign = NEG

Control\_Word =

Default RX, clocks match transmitter

LOOP:

XCO\_Step = XCO\_Step/2

XCO\_Sign == POS?

Yes --> XCO\_Present- = XCO\_Step // increase LO

No --> XCO\_Present+ = XCO\_Step // decrease LO

XCO\_tune bits = XCO\_Present

Program RFChip

Delay > n bits

Read FEE

FEE > 0?

Yes --> XCO\_Sign = POS

No --> XCO\_Sign = NEG // negative or == 0

XCO\_Step > 1?

Yes --> Branch to LOOP

No -->

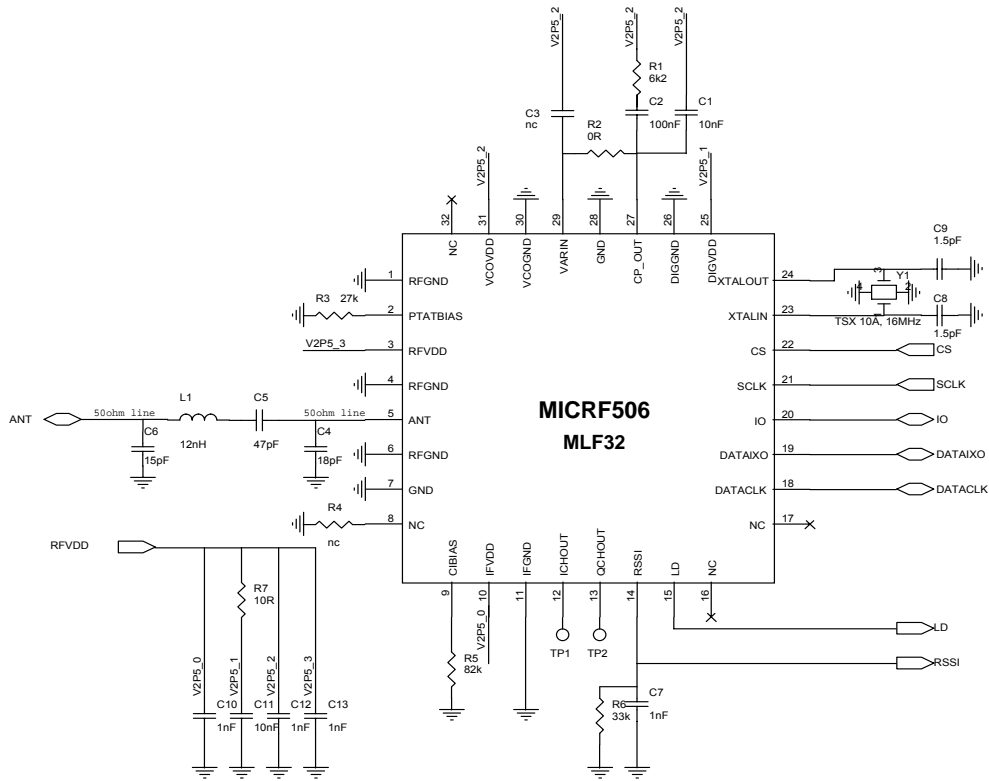
XCO\_Sign == POS?

Yes --> XCO\_Present- = 1

Branch to FIN

FIN: RETURN, return-value = XCO\_Present

# Typical Application

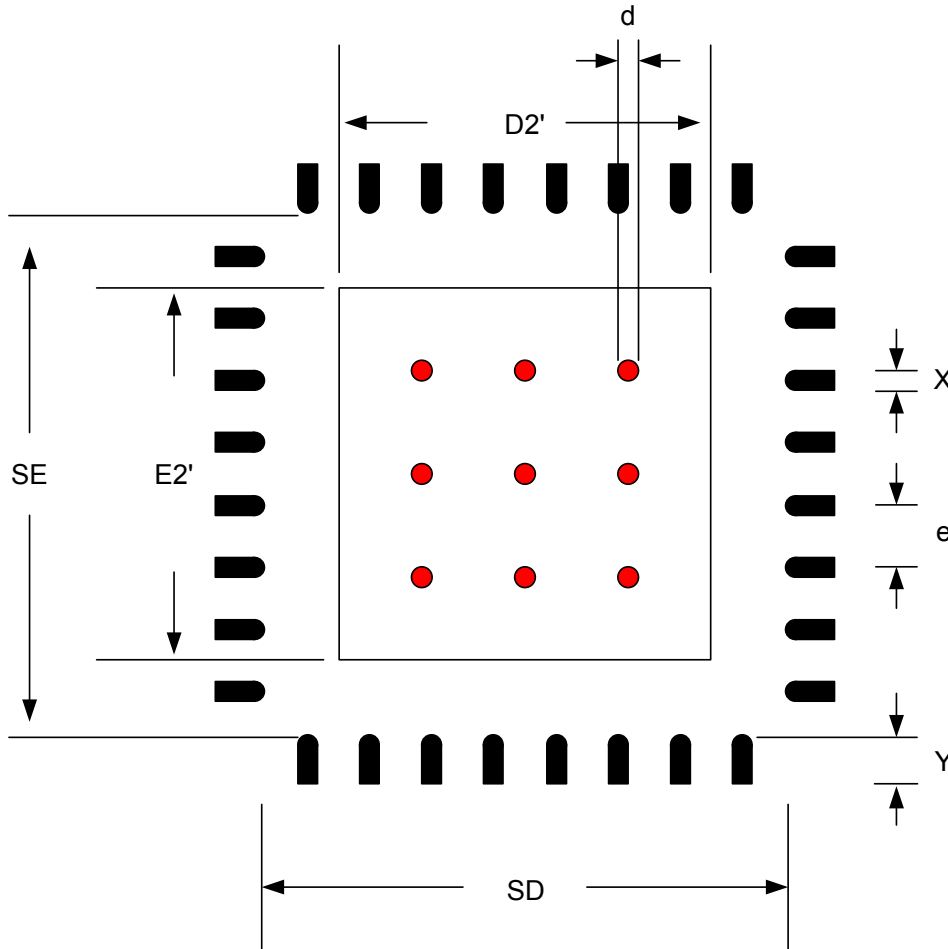


MICRF506 – MLF32

Item	Part	Value	Description	Manufacturer	Part Numner
1	C1	10nF	10nF X7R ±10% 0603 50V	Kyocera	CM105X7R103K50A
2	C2	100nF	100nF X7R ±10% 0603 16V	Kyocera	CM105X7R104K16A
3	C3	NC			
4	C4	18pF	18pF COG ±5% 0603 50V	Kyocera	CM105CG180J50A
5	C5	47pF	47pF COG ±5% 0603 50V	Kyocera	CM105CG470J50A
6	C6	15pF	15pF COG ±5% 0603 50V	Kyocera	CM105CG150J50A
7	C7	1nF	Optional	Kyocera	CM105X7R102K50A
8	C8	1.5pF	1.5pF COG ±0.25pF 0603 50V	Kyocera	CM105CG1R5C50A
9	C9	1.5pF	1.5pF COG ±0.25pF 0603 50V	Kyocera	CM105CG1R5C50A
10	C10	1nF	1nF X7R ±10% 0603 50V	Kyocera	CM105X7R102K50A
11	C11	10nF	10nF X7R ±10% 0603 50V	Kyocera	CM105X7R103K50A
12	C12	1nF	1nF X7R ±10% 0603 50V	Kyocera	CM105X7R102K50A
13	C13	1nF	1nF X7R ±10% 0603 50V	Kyocera	CM105X7R102K50A
14	R1	6.2k	6.2k ±1% 0603 50V	Kyocera	CR10-6201F
15	R2	0Ω	0Ω ±1% 0603 50V	Kyocera	CJ10-000
16	R3	27k	27k ±1% 0603 50V	Kyocera	CR10-2702F
17	R5	82k	82k ±1% 0603 50V	Kyocera	CR10-8202F
18	R6	33k	Optional	Kyocera	CR10-3302F
19	R7	10Ω	10R ±1% 0603 50V	Kyocera	CR10-10R0F
20	L1	12nH	12nH ±5% 0603	Coilcraft	0603CS-12NXJB
21	Y1	16MHz	16MHz, 9pF, 10/10ppm	Toyocom	TN4-26011

### MICRF506BML/YML Land pattern

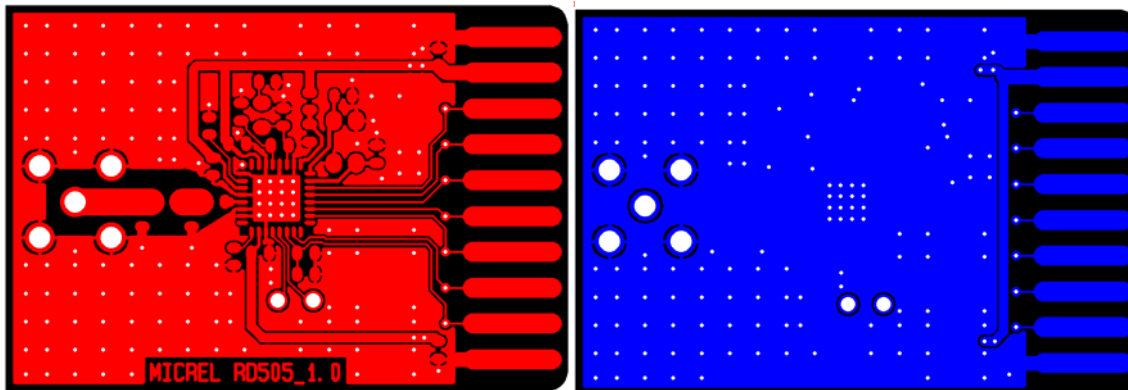
Figure below shows recommended land pattern. Red circles indicate Thermal/RFGND via's. Recommended size is 0.300-0.350mm with a pitch of 1mm. The recommended minimum number of via's are 9 and they should be directly connected to ground plane providing the best RF ground and thermal performance. For best yield plugged or open via's should be used.



D2'	E2'	SD	SE	d	e	X	Y	Units
3.4 ±0.02	3.4 ±0.02	4.2 ±0.05	4.2 ±0.05	0.325 ±0.25	0.5	0.23 ±0.02	0.5 ±0.02	mm
Red circle indicates Thermal Via. Size 0.300-0.350mm								

## Layout Considerations

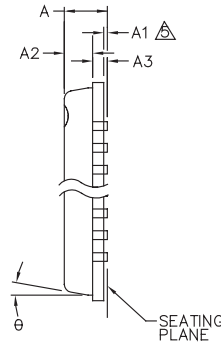
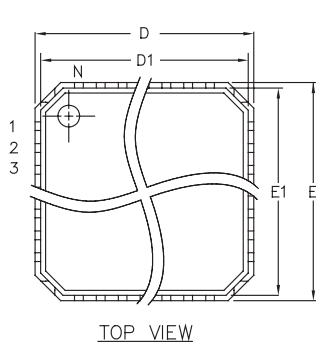
The MICRF506 is a highly integrated RF IC with only a few “hot” pins, however it is suggested to study available reference design on [www.micrel.com](http://www.micrel.com) before starting with schematics and layout.



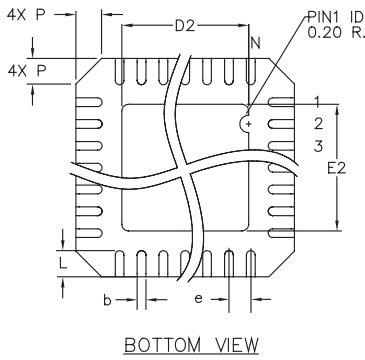
- To ensure the best RF design it is important to plan the layout and dedicate area for the different circuitry. Good RF engineering is to start with the RF circuitry making sure that general RF guidelines are met (following points). Separate noisy circuitry and RF by placing it on the opposite side maximizing the distance between the circuitry. The RF circuitry should be placed as close to what is considered the ground spot (EG battery) to avoid ground currents. Place the RF circuitry in a position that ensure as short and straight trace to the antenna connection to avoid reflections.
- Proper ground is needed. If the PCB is 2-layer, the bottom layer should be kept only for ground. Avoid signal traces that split the ground plane. For a 4-layer PCB, it is recommended to keep the second layer only for ground.
- A ground via should be placed close to all the ground pins. The bottom ground (heat sink) pad should be penetrated with >9 ground via's. These via's should be “open” or “plugged” to avoid air pockets caused by the solder past. If such air pockets appear, the air will expand during the reflow process and may/will cause the device to twist/move.
- The antenna pin (pin 5) has an impedance of ~50 ohm. The antenna trace should be kept to 50 ohm to avoid signal reflection and loss of performance. Minor deviations can be compensated by matching the LC filter. Any transmission line calculator can be used to find the needed trace width given a board build up. Ex: A trace width of 75 mil (1.9 mm) gives 50 impedance on a FR4 board (dielectric cons=4.4) with copper thickness of 35 $\mu$ m and height (layer 1-layer 2 spacing) of 1.00 mm.
- RF circuitry is sensitive to voltage supply and therefore caution should be taken when choosing power circuitry. To achieve the best performance, low noise LDO's with high PSSR should be chosen. What is present on the voltage supply will be directly modulated to the RF spectrum causing degradation and regulatory issues. To make sure you have the right selection, please contact local sales for the latest Micrel offerings in power management and guidance. To avoid “pickup” from other circuitry on the VDD lines, it is recommended to route the VDD in a star configuration with decoupling at each circuitry and at the common connection point (see above layout). If there are noisy circuitry in the design, it is strongly recommended to use a separate power supply and/or place low value resistors (10ohms), inductors in series with the power supply line into these circuitry.
- It is recommended to connect the PLL loop filter to VDD (C1, C3 and R1). The VDD connection should be placed as close to pin 31 (VCOVDD) as possible. The MICRF506 has a integrated VCO where the resonator circuit (varactor ) has a reference to VDD. With a common reference point, the MICRF506 (PLL) will somewhat compensate for noise present on the VDD.
- PLL loop filter components C1, C2, C3, R1 and R2 should have a compact layout and should be placed as close to pin 27 and 29. Avoid signal traces/bus and noisy circuitry around/close/under this area.
- Digital high speed logic or noisy circuitry should/must be at a safe distance from RF circuitry or RF VDD as this might/will cause degradation of sensitivity and create spurious emissions. Example of such circuitry is LCD display, charge pumps, RS232, clock / data bus etc.



Package Information MICRF506BML



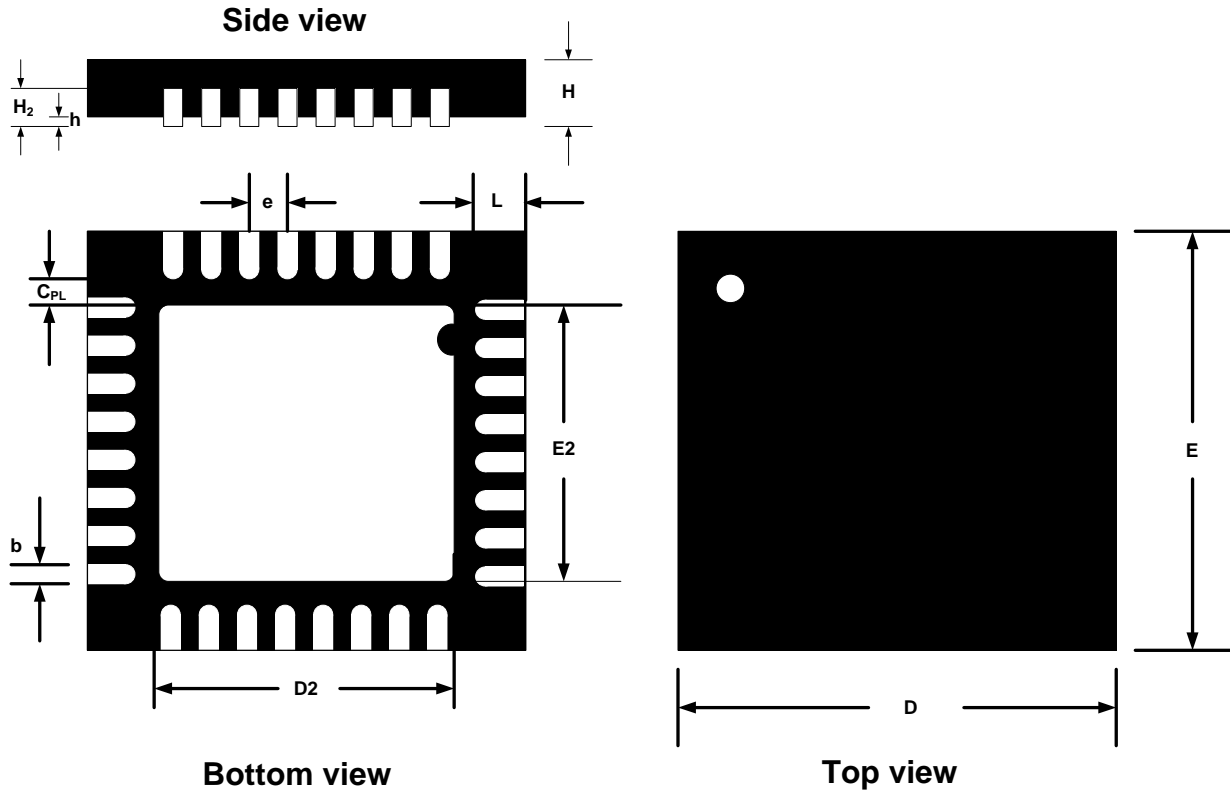
DIMENSION (mm)			
	MIN.	NOM.	MAX.
A	-	0.85	1.00
A1	0.00	0.01	0.05
A2	-	0.65	0.80
A3	0.20 REF.		
D	5.00 BSC		
D1	4.75 BSC		
D2	3.15	3.30	3.45
E	5.00 BSC		
E1	4.75 BSC		
E2	3.15	3.30	3.45
theta	12°		
P	0.24	0.42	0.60
e	0.50 BSC		
N	32		
L	0.30	0.40	0.50
b	0.18	0.23	0.30



- NOTE:
1. ALL DIMENSIONS ARE IN MILLIMETERS.
  2. N IS THE NUMBER OF TERMINALS. THE NUMBER OF TERMINALS PER SIDE IS N/4.
  3. THE PIN#1 IDENTIFIER MUST BE EXISTED ON THE TOP SURFACE OF PACKAGE BY USING IDENTIFICATION MARK OR OTHER FEATURE OF PACKAGE BODY.
  4. PACKAGE WARPAGE MAX 0.05mm.
- ▲ APPLIED FOR EXPOSED PAD AND TERMINALS.

MICRF505BML  
32-Pin MLF (B)

Package Information MICRF506YML



D	D2	E	E2	e	b	L	C <sub>PL</sub>	H	h	H <sub>2</sub>	Units
5.0	3.10±0.10	5.0	3.10±0.10	0.5	0.25	0.4±0.05	0.20	0.85±0.05	0.00-0.05	0.2	mm

### Overview of programming bit

Address	Data							
A6..A0	D7	D6	D5	D4	D3	D2	D1	D0
0000000	LNA_by	PA2	PA1	PA0	Sync_en	Mode1	Mode0	Load_en
0000001	Modulation1	Modulation0	OL_opamp_en ("0")	PA_LDc_en ("0")	RSSI_en	LD_en	PF_FC1	PF_FC0
0000010	CP_HI	SC_by	VCO_by ("0")	PA_by	OUTS3	OUTS2	OUTS1	OUTS0
0000011	IFBias_s ("1")	IFA_HG ("1")	VCO_BIAS_s ("0")	VCO_IB2	VCO_IB1	VCO_IB0	VCO_freq1	VCO_freq0
0000100	Mod_F2	Mod_F1	Mod_F0	Mod_I4	Mod_I3	Mod_I2	Mod_I1	Mod_I0
0000101	-	-	Mod_FHG ("0")	Mod_shape ("1")	Mod_A3	Mod_A2	Mod_A1	Mod_A0
0000110	-	Mod_clkS2	Mod_clkS1	Mod_clkS0	BitSync_clkS2	BitSync_clkS1	BitSync_clkS0	BitRate_clkS2
0000111	BitRate_clkS1	BitRate_clkS0	RefClk_K5	RefClk_K4	RefClk_K3	RefClk_K2	RefClk_K1	RefClk_K0
0001000	SC_HI ("1")	ScClk_X2 ("1")	ScSW_en ("0")	ScClk4	ScClk3	ScClk2	ScClk1	ScClk0
0001001	PrescalMode_s ("0")	Prescal_s ("0")	XCOAR_en ("1")	XCOtune4	XCOtune3	XCOtune2	XCOtune1	XCOtune0
0001010	-	-	A0_5	A0_4	A0_3	A0_2	A0_1	A0_0
0001011	-	-	-	-	N0_11	N0_10	N0_9	N0_8
0001100	N0_7	N0_6	N0_5	N0_4	N0_3	N0_2	N0_1	N0_0
0001101	-	-	-	-	M0_11	M0_10	M0_9	M0_8
0001110	M0_7	M0_6	M0_5	M0_4	M0_3	M0_2	M0_1	M0_0
0001111	-	-	A1_5	A1_4	A1_3	A1_2	A1_1	A1_0
0010000	-	-	-	-	N1_11	N1_10	N1_9	N1_8
0010001	N1_7	N1_6	N1_5	N1_4	N1_3	N1_2	N1_1	N1_0
0010010	-	-	-	-	M1_11	M1_10	M1_9	M1_8
0010011	M1_7	M1_6	M1_5	M1_4	M1_3	M1_2	M1_1	M1_0
0010100	Div2_HI ("1")	LO_IB1 ("0")	LO_IB0 ("1")	PA_IB4 ("0")	PA_IB3 ("0")	PA_IB2 ("0")	PA_IB1 ("1")	PA_IB0 ("1")
0010101	-	-	-	-	FEEC_3	FEEC_2	FEEC_1	FEEC_0
0010110	FEE_7	FEE_6	FEE_5	FEE_4	FEE_3	FEE_2	FEE_1	FEE_0

**Table 1: Detailed description of programming bit**

ADR #	BIT #	NAME	DESCRIPTION	COMMENTS
0000000	7	By_LNA	LNA bypass on/off	
	6	PA2	Power amplifier level, 3.bit	Ref. Table 6
	5	PA1	Power amplifier level, 2.bit	Ref. Table 6
	4	PA0	Power amplifier level, 1.bit	Ref. Table 6
	3	Sync_en	Synchronizer Mode bit	Ref. Table 3
	2	Mode1	Main Mode selection 2. Bit	Ref. Table 2
	1	Mode0	Main Mode selection 1. Bit	Ref. Table 2
	0	Load_en	Load generation (1=enable)	
0000001	7	Modulation1	Modulation selection 2.bit	Ref. Table 4
	6	Modulation0	Modulation selection 1.bit	Ref. Table 4
	5	OL_opamp_en	"0" mandatory. Opamp in OpenLoop circuit (0=disable)	
	4	PA_LDc_en	"0" mandatory. PA controlled by Lock Detect (0=disable)	Ref. Table 6
	3	RSSI_en	RSSI function (1=enable)	

	2	LD_en	Lock detect function (1=enable)	
	1	PF_FC1	Prefilter corner frequency 2.bit	Ref. Table 5
	0	PF_FC0	Prefilter corner frequency 1.bit	Ref. Table 5
0000010	7	CP_HI	High charge-pump current (0=125uA, 1=500uA)	
	6	SC_by	Bypass of Switched Capacitor filter (1=enable)	
	5	VCO_by	"0" mandatory. Bypass of VCO (1=enable)	
	4	PA_by	Bypass of PA (1=enable)	
	3	OUTS3	Test pins output 4.bit	Ref. Table 8
	2	OUTS2	Test pins output 3.bit	Ref. Table 8
	1	OUTS1	Test pins output 2.bit	Ref. Table 8
	0	OUTS0	Test pins output 1.bit	Ref. Table 8
0000011	7	IFBias_s	"1" mandatory.	
	6	IFA_HG	"1" mandatory. High gain setting in preamplifier	
	5	VCO_Bias_s	"0" mandatory. Select separate bias for VCO on VCOBias pin (1=enable)	
	4	VCO_IB2	VCO bias current setting, 3. bit (111 = highest current)	
	3	VCO_IB1	VCO bias current setting, 2. bit	
	2	VCO_IB0	VCO bias current setting, 1. bit	
	1	VCO_freq1	Frequency setting of VCO, 2. bit (11=highest frequency)	
	0	VCO_freq0	Frequency setting of VCO, 1.bit	
0000100	7	Mod_F2	Modulator filter setting, MSB (0=filter active)	
	6	Mod_F1	Modulator filter setting	
	5	Mod_F0	Modulator filter setting, LSB	
	4	Mod_I4	Modulator current setting, MSB	
	3	Mod_I3	Modulator current setting	
	2	Mod_I2	Modulator current setting	
	1	Mod_I1	Modulator current setting	
	0	Mod_I0	Modulator current setting, LSB	
0000101	7	-----	Reserved/not in use	
	6	-----	Reserved/not in use	
	5	Mod_FHG	"0" mandatory. Modulator Test bit.	
	4	Mod_shape	"1" mandatory. Modulator shape enable	
	3	Mod_A3	Modulator attenuator setting, MSB (1=attenuator active)	
	2	Mod_A2	Modulator attenuator setting	
	1	Mod_A1	Modulator attenuator setting	
	0	Mod_A0	Modulator attenuator setting, LSB	
0000110	7	-----	Reserved/not in use	
	6	Mod_clkS2	Modulator clock setting 3.bit, MSB	
	5	Mod_clkS1	Modulator clock setting 2.bit	
	4	Mod_clkS0	Modulator clock setting 1.bit, LSB	
	3	BitSync_clkS2	BitSync clock setting 3.bit, MSB	
	2	BitSync_clkS1	BitSync clock setting 2.bit	
	1	BitSync_clkS0	BitSync clock setting 1.bit, LSB	
	0	BitRate_clkS2	Bitrate clock setting 3.bit, MSB	
0000111	7	BitRate_clkS1	Bitrate clock setting 2.bit	
	6	BitRate_clkS0	Bitrate clock setting 1.bit. LSB:	
	5	RefClk_K5	Reference clock divider 6.bit, MSB	
	4	RefClk_K4	Reference clock divider 5.bit	
	3	RefClk_K3	Reference clock divider 4.bit	
	2	RefClk_K2	Reference clock divider 3.bit	
	1	RefClk_K1	Reference clock divider 2.bit	
	0	RefClk_K0	Reference clock divider 1.bit, LSB	
0001000	7	SC_HI	"1" mandatory. High current in Switched Cap filter	
	6	ScClk_X2	"1" mandatory. Switched Cap clock multiplied by two	
	5	ScSw_EN	"0" mandatory. Switch cap switch enable	

	4	ScClk4	SwitchCap clock divider 5.bit, MSB
	3	ScClk3	SwitchCap clock divider 4.bit
	2	ScClk2	SwitchCap clock divider 3.bit
	1	ScClk1	SwitchCap clock divider 2.bit
	0	ScClk0	SwitchCap clock divider 1.bit, LSB
0001001	7	PrescalMode_s	"0" mandatory. Selects A, N and M divider output control of prescaler mode
	6	Prescal_s	"0" mandatory. Selects pulse swallow prescaler.
	5	XCOAR_en	"1" mandatory. Set XCO amplitude regulation on.
	4	XCOtune4	Crystal oscillator trimming, LSB
	3	XCOtune3	Crystal oscillator trimming
	2	XCOtune2	Crystal oscillator trimming
	1	XCOtune1	Crystal oscillator trimming
	0	XCOtune0	Crystal oscillator trimming, MSB
0001010	7	-----	Reserved/not in use
	6	-----	Reserved/not in use
	5	A0_5	A0-counter 6.bit
	4	A0_4	A0-counter 5.bit
	3	A0_3	A0-counter 4.bit
	2	A0_2	A0-counter 3.bit
	1	A0_1	A0-counter 2.bit
	0	A0_0	A0-counter 1.bit
0001011	7	-----	Reserved/not in use
	6	-----	Reserved/not in use
	5	-----	Reserved/not in use
	4	-----	Reserved/not in use
	3	N0_11	N0-counter 12.bit
	2	N0_10	N0-counter 11.bit
	1	N0_9	N0-counter 10.bit
	0	N0_8	N0-counter 9.bit
0001100	7	N0_7	N0-counter 8.bit
	6	N0_6	N0-counter 7.bit
	5	N0_5	N0-counter 6.bit
	4	N0_4	N0-counter 5.bit
	3	N0_3	N0-counter 4.bit
	2	N0_2	N0-counter 3.bit
	1	N0_1	N0-counter 2.bit
	0	N0_0	N0-counter 1.bit
0001101	7	-----	Reserved/not in use
	6	-----	Reserved/not in use
	5	-----	Reserved/not in use
	4	-----	Reserved/not in use
	3	M0_11	M0-counter 12.bit
	2	M0_10	M0-counter 11.bit
	1	M0_9	M0-counter 10.bit
	0	M0_8	M0-counter 9.bit
0001110	7	M0_7	M0-counter 8.bit
	6	M0_6	M0-counter 7.bit
	5	M0_5	M0-counter 6.bit
	4	M0_4	M0-counter 5.bit
	3	M0_3	M0-counter 4.bit
	2	M0_2	M0-counter 3.bit
	1	M0_1	M0-counter 2.bit
	0	M0_0	M0-counter 1.bit
0001111	7	-----	Reserved/not in use

	6	-----	Reserved/not in use	
	5	A1_5	A1-counter 6.bit	
	4	A1_4	A1-counter 5.bit	
	3	A1_3	A1-counter 4.bit	
	2	A1_2	A1-counter 3.bit	
	1	A1_1	A1-counter 2.bit	
	0	A1_0	A1-counter 1.bit	
0010000	7	-----	Reserved/not in use	
	6	-----	Reserved/not in use	
	5	-----	Reserved/not in use	
	4	-----	Reserved/not in use	
	3	N1_11	N1-counter 12.bit	
	2	N1_10	N1-counter 11.bit	
	1	N1_9	N1-counter 10.bit	
	0	N1_8	N1-counter 9.bit	
0010001	7	N1_7	N1-counter 8.bit	
	6	N1_6	N1-counter 7.bit	
	5	N1_5	N1-counter 6.bit	
	4	N1_4	N1-counter 5.bit	
	3	N1_3	N1-counter 4.bit	
	2	N1_2	N1-counter 3.bit	
	1	N1_1	N1-counter 2.bit	
	0	N1_0	N1-counter 1.bit	
0010010	7	-----	Reserved/not in use	
	6	-----	Reserved/not in use	
	5	-----	Reserved/not in use	
	4	-----	Reserved/not in use	
	3	M1_11	M1-counter 12.bit	
	2	M1_10	M1-counter 11.bit	
	1	M1_9	M1-counter 10.bit	
	0	M1_8	M1-counter 9.bit	
0010011	7	M1_7	M1-counter 8.bit	
	6	M1_6	M1-counter 7.bit	
	5	M1_5	M1-counter 6.bit	
	4	M1_4	M1-counter 5.bit	
	3	M1_3	M1-counter 4.bit	
	2	M1_2	M1-counter 3.bit	
	1	M1_1	M1-counter 2.bit	
	0	M1_0	M1-counter 1.bit	
0010100	7	Div2_HI	"1" mandatory. Sets high bias current in Div2 circuit	
	6	LO_IB1	"0" mandatory. Bias current setting of LObuffer, MSB	
	5	LO_IB0	"1" mandatory. Bias current setting of LObuffer, LSB	
	4	PA_IB4	"0" mandatory. Bias current setting of PA,MSB	
	3	PA_IB3	"0" mandatory. Bias current setting of PA	
	2	PA_IB2	"0" mandatory. Bias current setting of PAbuffer, MSB	Ref. Table 9
	1	PA_IB1	"1" mandatory. Bias current setting of PAbuffer	Ref. Table 9
	0	PA_IB0	"1" mandatory. Bias current setting of PAbuffer, LSB	Ref. Table 9
0010101	7	-----	Reserved/not in use	
	6	-----	Reserved/not in use	
	5	-----	Reserved/not in use	
	4	-----	Reserved/not in use	
	3	FEEC_3	FEE control bit	Ref. Table 11
	2	FEEC_2	FEE control bit	Ref. Table 11
	1	FEEC_1	FEE control bit	Ref. Table 10
	0	FEEC_0	FEE control bit	Ref. Table 10

0010110	7	FEE_7	FEE value, bit 7, MSB	
	6	FEE_6	FEE value, bit 6	
	5	FEE_5	FEE value, bit 5	
	4	FEE_4	FEE value, bit 4	
	3	FEE_3	FEE value, bit 3	
	2	FEE_2	FEE value, bit 2	
	1	FEE_1	FEE value, bit 1	
	0	FEE_0	FEE value, bit 0, LSB	

**Table 2: Main Mode bit**

Mode1	Mode0	State	Comments
0	0	Power down	Keeps Register configuration
0	1	Standby	Crystal Oscillator running
1	0	Receive	Full Receive
1	1	Transmit	Full Transmit ex. PA stage

**Table 3: Synchronizer mode bit**

Sync_en	State	Comments
0	Rx: Bit synchronization off	Transparent reception of data
0	Tx: DataClk pin off	Transparent transmission of data
1	Rx: Bit synchronization on	Bit-clock is generated by transceiver
1	Tx: DataClk pin on.	Bit-clock is generated by transceiver

**Table 4: Modulation bit**

Modulation1	Modulation0	State	Comments
0	0	Closed loop VCO-modulation	VCO is phase-locked
0	1	Open loop VCO-modulation	Not recommend
1	0	Modulation by A,M and N	Modulation inside PLL
1	1	Not defined	Reserved for future use

**Table 5: Prefilter bit**

PF_FC1	PF_FC0	State
0	0	3 dB filter corner at 100 KHz
0	1	3 dB filter corner at 150 KHz
1	0	3 dB filter corner at 230 KHz
1	1	3 dB filter corner at 340 KHz



**Table 6: Power amplifier bit**

PA2	PA1	PA0	State
0	0	0	21dB attenuation/PA off
0	0	1	18dB attenuation
0	1	0	15dB attenuation
0	1	1	12dB attenuation
1	0	0	9dB attenuation
1	0	1	6dB attenuation
1	1	0	3dB attenuation
1	1	1	Max output
<b>PALDc_en</b>			
0	PA is turned off by PA2=PA1=PA0=0		
1	PA is turned on/off by Lock Detect, LD=1 -> PA on PA2=PA1=PA0=0 now gives 21dB attenuation		
<b>PA_By</b>			
0	Power Amplifier enabled		
1	Power Amplifier bypassed, approx 20dB reduced output power.		

**Table 7: Generation of *BitRate\_clk*, *BitSync\_clk* and *Mod\_clk*.**

<i>BitRate_clk</i> <i>BitSync_clk</i> <i>Mod_clk</i>			Clock frequency (F is crystal frequency, K is RefClk integer)
S2	S1	S0	
0	0	0	F/(64K)
0	0	1	F/(32K)
0	1	0	F/(16K)
0	1	1	F/(8K)
1	0	0	F/(4K)
1	0	1	F/(2K)
1	1	0	F/K (*)
1	1	1	F (*)

(\*) Can not be used as *BitRate\_clk*.

**Table 8: Test signals**

OutS3	OutS2	OutS1	OutS0	IchOut	QchOut	Ichout2 / RSSI	QchOut2 / NC
0	0	0	0	Gnd	Gnd	Gnd	Gnd
0	0	0	1	Ip mixer	In mixer	Ip IFamp	In IFamp
0	0	1	0	Qp mixer	Qn mixer	Qp IFamp	Qn IFamp
0	0	1	1	Ip IFamp	In IFamp	Ip SC-filter	In SC-filter
0	1	0	0	Qp IFamp	Qn IFamp	Qp SC-filter	Qn SC-filter
0	1	0	1	Ip SC-filter	In SC-filter	Gnd	I limiter
0	1	1	0	Qp SC-filter	Qn SC-filter	Gnd	Q limiter
0	1	1	1	Ip mixer	In mixer	Ip SC-filter	In SC-filter
1	0	0	0	Qp mixer	Qn mixer	Qp SC-filter	Qn SC-filter
1	0	0	1	Ip mixer	In mixer	Gnd	I limiter
1	0	1	0	Qp mixer	Qn mixer	Gnd	Q limiter
1	0	1	1	Ip mixer	Qp mixer	ModIn	PrescalMode
1	1	0	0	Ip IFamp	Qp IFamp	Tl1	TQ1
1	1	0	1	Ip SC-filter	Qp SC-filter	DemodUp	DemodDn
1	1	1	0	I limiter	Q limiter	Demod	MAout
1	1	1	1	N-div	M-div	Phi1n	Phi2n

**Table 9: PAbuffer bias current setting**

PA_IB2	PA_IB1	PA_IB0	State
0	0	0	PAbuffer uses bias current from PTATBias source, external resistor (Pin 2)
0	0	1	PAbuffer uses bias current from separate bias source, external resistor (Pin 8)
0	1	0	PAbuffer uses bias current from internal bias source, lowest current
0	1	1	PAbuffer uses bias current from internal bias source
1	0	0	PAbuffer uses bias current from internal bias source, typical current
1	0	1	PAbuffer uses bias current from internal bias source
1	1	0	PAbuffer uses bias current from internal bias source
1	1	1	PAbuffer uses bias current from internal bias source, highest current

**Table 10: Frequency Error Estimation control bit**

FEEC_1	FEEC_0	FEE Mode
0	0	Off
0	1	Counting UP pulses
1	0	Counting DN pulses
1	1	Counting UP and DN pulses. UP increments the counter, DN decrements it.

**Table 11: Frequency Error Estimation control bit, cont.**

FEEC_3	FEEC_2	No. of DEMOD_DT bit used during the measurement.
0	0	8
0	1	16
1	0	32
1	1	64

---

**MICREL, INC. 2180 FORTUNE DRIVE, SAN JOSE, CA 95131 USA**  
 TEL +1 (408) 944-0800 FAX +1 (408) 474-1000 WEB <http://www.micrel.com>

The information furnished by Micrel in this data sheet is believed to be accurate and reliable. However, no responsibility is assumed by Micrel for its use. Micrel reserves the right to change circuitry and specifications at any time without notification to the customer.

Micrel Products are not designed or authorized for use as components in life support appliances, devices or systems where malfunction of a product can reasonably be expected to result in personal injury. Life support devices or systems are devices or systems that (a) are intended for surgical implant into the body or (b) support or sustain life, and whose failure to perform can be reasonably expected to result in a significant injury to the user. A Purchaser's use or sale of Micrel Products for use in life support appliances, devices or systems is a Purchaser's own risk and Purchaser agrees to fully indemnify Micrel for any damages resulting from such use or sale.

© 2004 Micrel, Incorporated.