

CY3674 EZ-USB FX1 / CY3684 EZ-USB FX2LP™

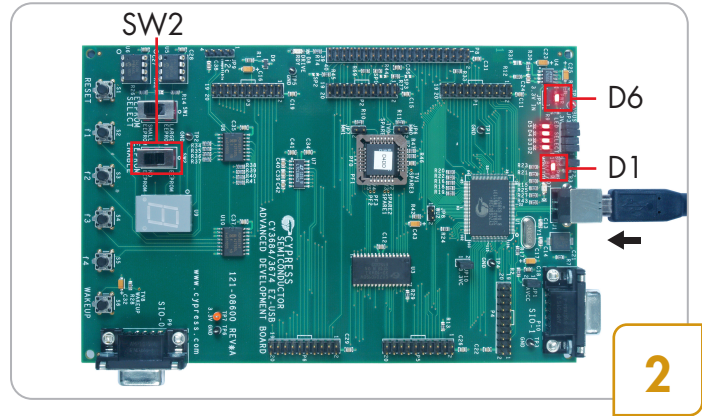


1

Step 1: Software Installation

- Download and Install the latest EZ-USB DVK setup (CY3684Setup.exe) from <http://www.cypress.com/?rID=14321>

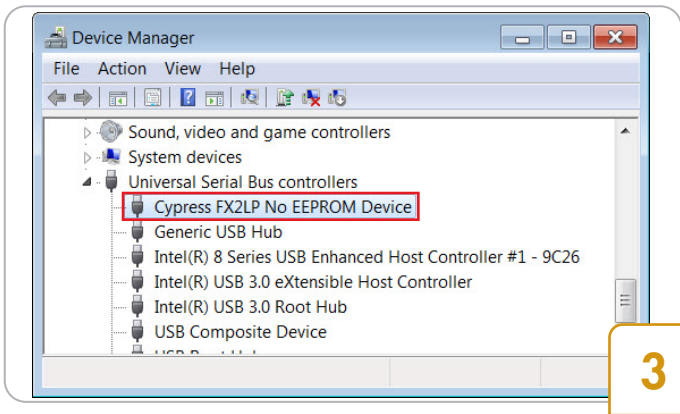
Note: For first time users, Cypress recommends accepting the default options at each stage of the setup



2

Step 2: Hardware Connection

- Ensure that JP2 (BUS PWR), JP5 (3.3V IN) and JP10 (3.3V) jumpers are installed, and the EEPROM ENABLE switch (SW2) is in the NO EEPROM position as shown above
- Connect the B end of the USB cable to the board and connect the other end to the USB 2.0 receptacle on a PC / laptop
- LEDs D1 and D6 glow to indicate that the board is powered

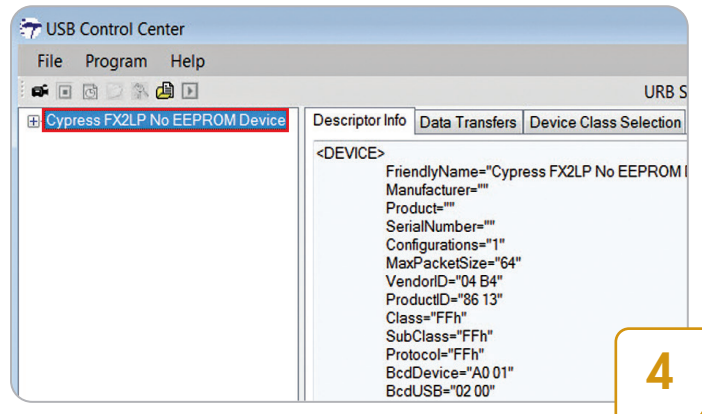


3

Step 3: Driver Installation

- Drivers are installed automatically. In the Windows Device Manager, under Universal Serial Bus Controllers, the CY3684 board appears as **Cypress FX2LP No EEPROM Device** and CY3674 board appears as **Cypress FX1 No EEPROM Device**
- If automatic driver binding does not happen, follow the note below to manually bind the driver

Note: Open Windows **Device Manger**, locate the **unknown device** under **other devices**, and right-click on the device to select **Update Driver**. The drivers are located in **<Installed Directory>\Drivers\Win7\x64**. Select a driver based on the operating system. For example, for Win 7 (64-bit), select win7\x64



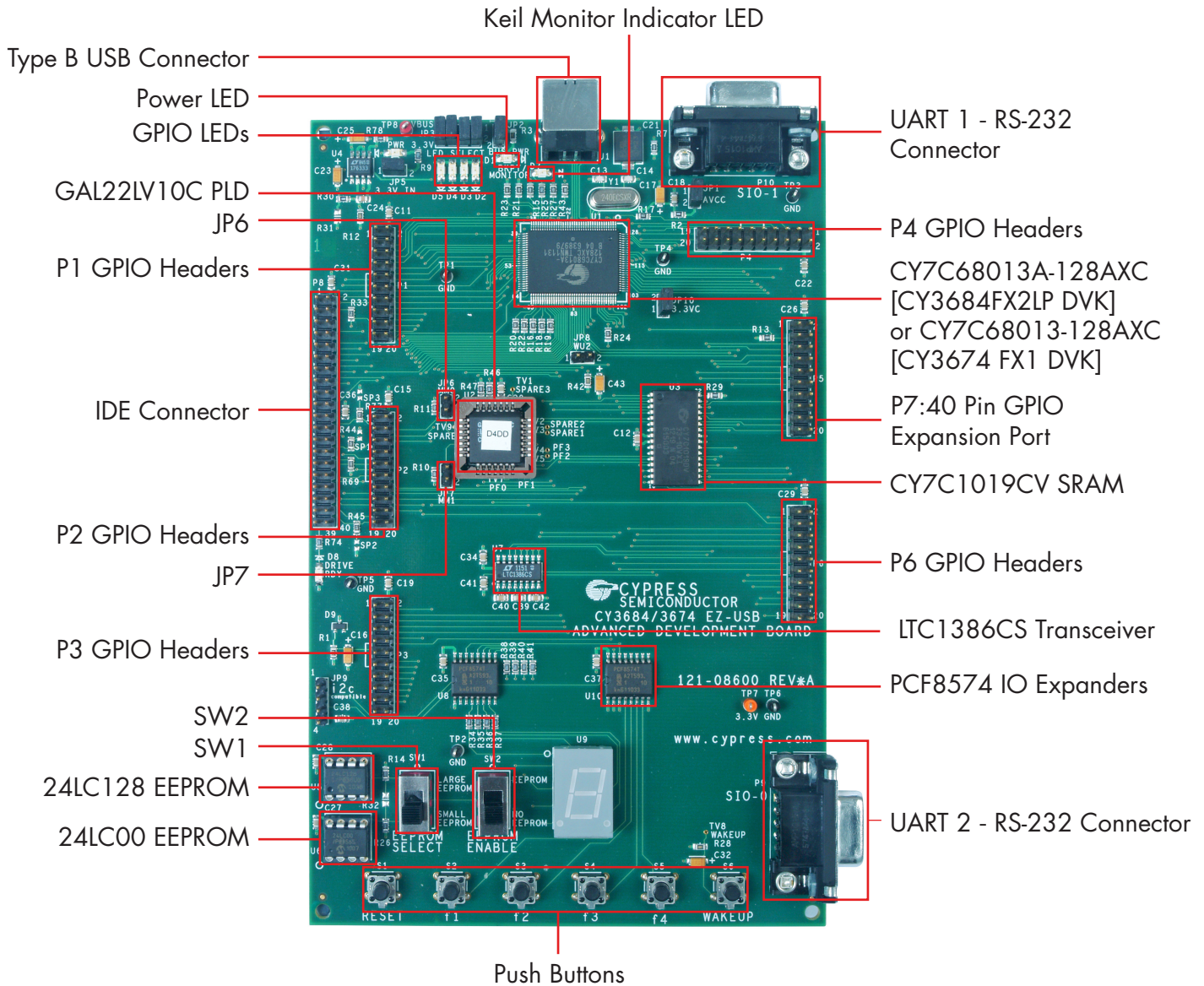
4

Step 4: Start the Cypress USB Control Center

- Run the Cypress USB Control Center by double-clicking the **CyControl.exe** located at **<Installed Directory>\Windows Applications\ Application Source files\c_sharp\controlcenter\bin\Release**. The CY3684 board appears as **Cypress FX2LP No EEPROM Device** and CY3674 board appears as **Cypress FX1 No EEPROM Device** in the left panel of the USB Control Center. Now you can load firmware images into the board and you can schedule **Data Transfers** to FX2LP/FX1 using the USB Control Center. Refer the instructions described in the User Guide (located at **<Installed Directory>\ Documentation**) to try examples on the DVK

CY3674 EZ-USB FX1 / CY3684 EZ-USB FX2LP™

EZ-USB FX1/FX2LP Development Board Details



For the latest information about these kits visit

www.cypress.com/go/CY3684

www.cypress.com/go/CY3674