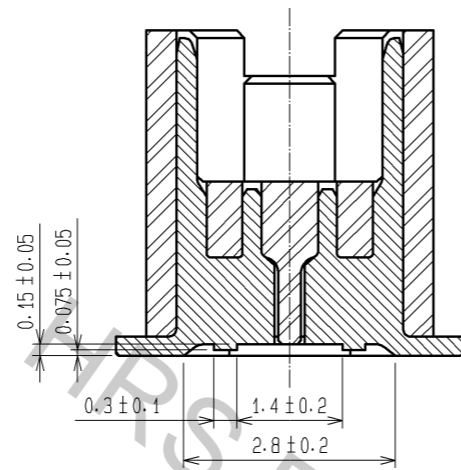
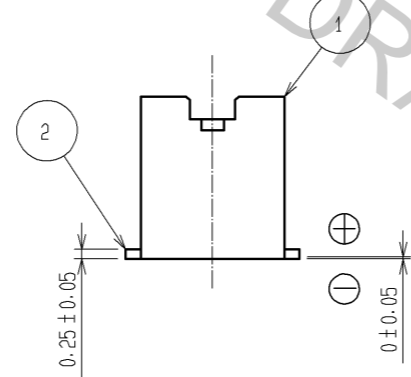
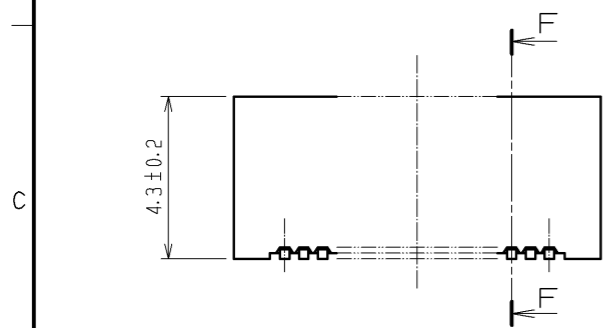


F-F (10:1)

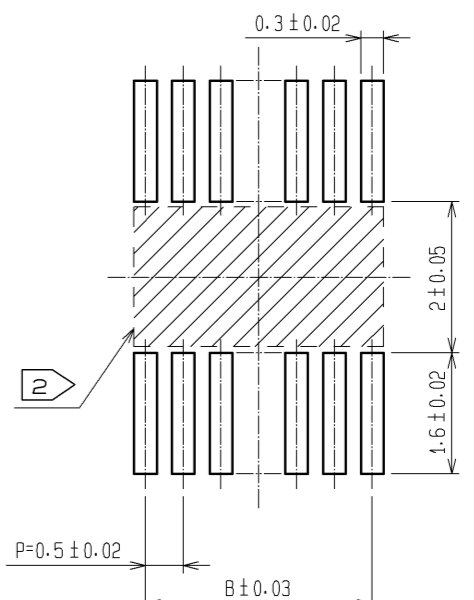
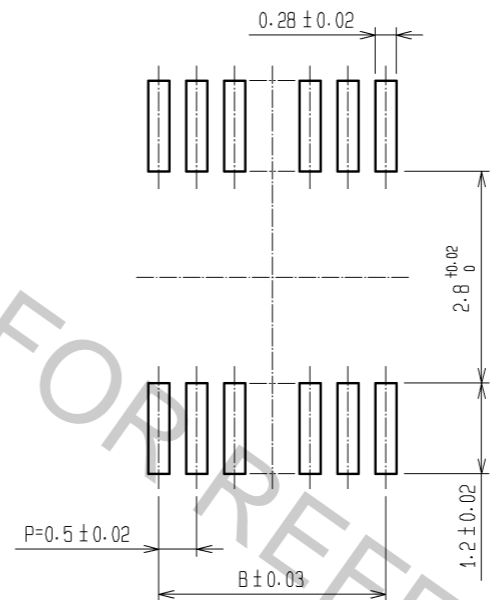


CODE No.	CONTACT	A	B	C	D	E
CL537-0578-8-81	20	7.2	4.5	5.3	5.7	5.3
CL537-0580-0-81	30	9.7	7.0	7.8	8.2	7.8
CL537-0581-2-81	36	11.2	8.5	9.3	9.7	9.3
CL537-0582-5-81	40	12.2	9.5	10.3	10.7	10.3
CL537-0584-0-81	50	14.7	12.0	12.8	13.2	12.8
CL537-0586-6-81	60	17.2	14.5	15.3	15.7	15.3



RECOMMEND METAL MASK PATTERN (10:1)

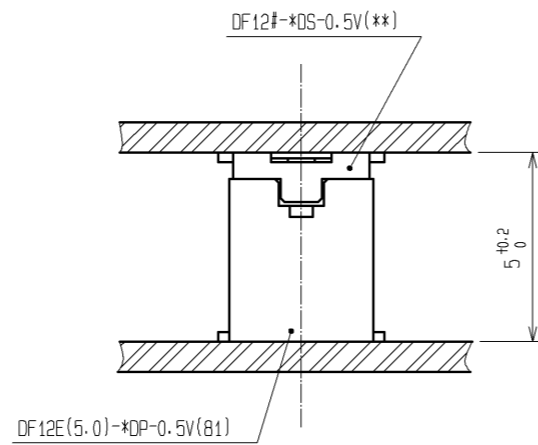
RECOMMENDED LAND PATTERN (10:1)



RECOMMENDED THICKNESS OF METAL MASK : 120 μm

RECOMMENDED THICKNESS OF SOLDER PASTE : 120 μm

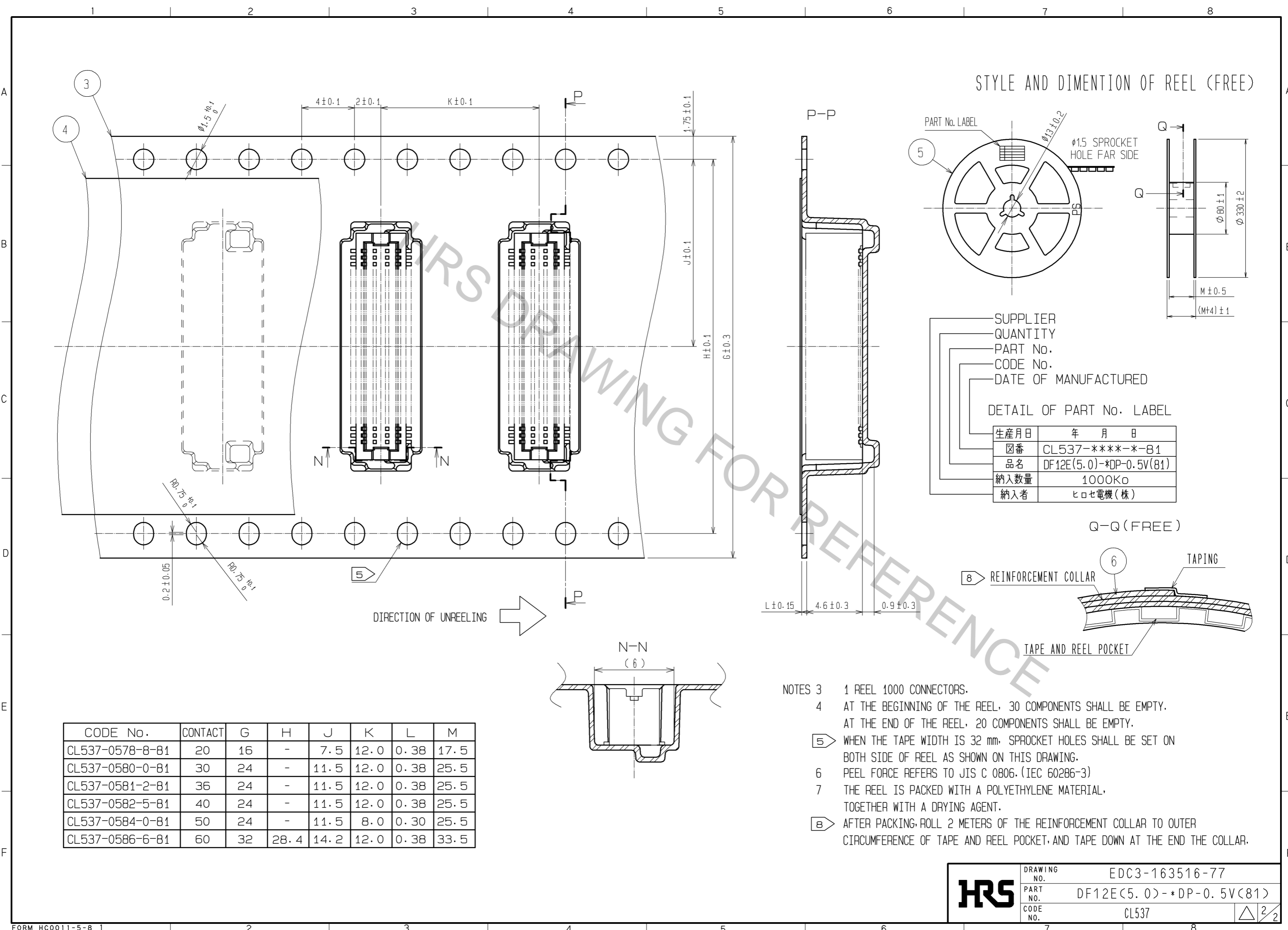
NOTES 1 LEAD CO-PLANARITY SHALL BE 0.08 mm MAX.
 2 IF THERE IS PATTERN ON PART, THERE IS A POSSIBILITY THAT IT WILL MAKE CONTACT WITH THE LEADS.



NO.	MATERIAL	FINISH . REMARKS	NO.	MATERIAL	FINISH . REMARKS
2	PHOSPHOR BRONZE	CONTACT AREA:GOLD PLATED 0.2μm min LEAD AREA:GOLD PLATED 0.015μm min OTHERS(UNDER PLATING):NICKEL PLATED 2μm min	6	PS	CLEAR (REINFORCEMENT COLLAR)
			5	PS	BLACK (PLASTIC REEL)
			4	POLYESTER	CLEAR (COVER TAPE)
1	POLYAMIDE	UL94V-0. NATURAL (BEIGE)	3	PS	CLEAR (EMBOSSED CARRIER TAPE)

UNITS	SCALE	COUNT	DESCRIPTION OF REVISIONS	DESIGNED	CHECKED	DATE
mm	5 : 1	△	APPROVED : KH. IKEDA 13. 08. 19 CHECED : YH. MICHIDA 13. 08. 08 DESIGNED : YN. SAKAMOTO 13. 08. 08 DRAWN : KR. AJITO 13. 08. 08			

DRAWING NO.	PART NO.	CODE NO.
EDC3-163516-77	DF12E(5.0)-*DP-0.5V(81)	CL537



CODE No.	CONTACT	G	H	J	K	L	M
CL537-0578-8-81	20	16	-	7.5	12.0	0.38	17.5
CL537-0580-0-81	30	24	-	11.5	12.0	0.38	25.5
CL537-0581-2-81	36	24	-	11.5	12.0	0.38	25.5
CL537-0582-5-81	40	24	-	11.5	12.0	0.38	25.5
CL537-0584-0-81	50	24	-	11.5	8.0	0.30	25.5
CL537-0586-6-81	60	32	28.4	14.2	12.0	0.38	33.5

HRS	DRAWING NO.	EDC3-163516-77
	PART NO.	DF12E(5.0)-*DP-0.5V(81)
	CODE NO.	CL537
		2/2