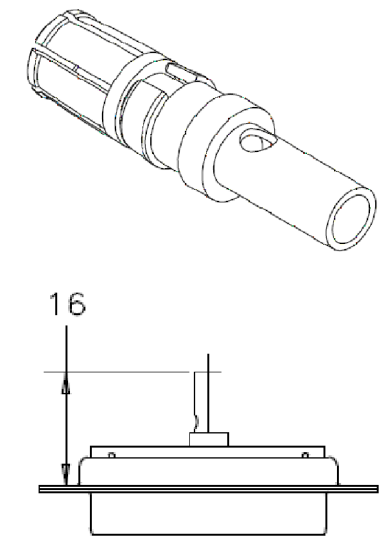
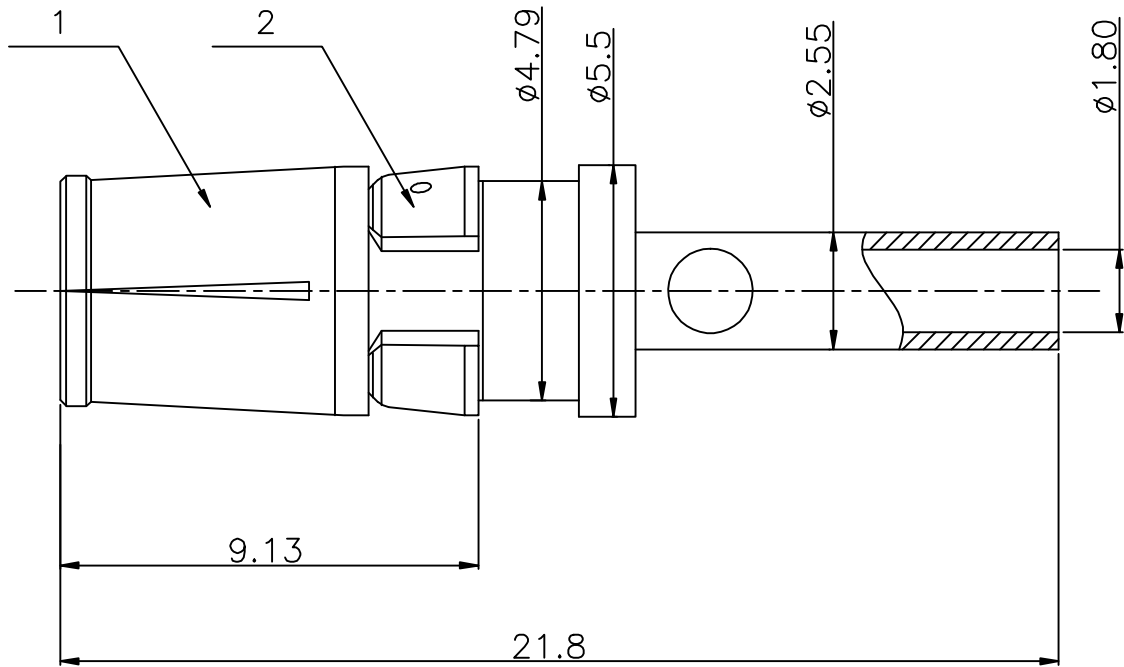


This document is the property of Amphenol Corporation and is delivered on the express condition that it is not to be disclosed, reproduced or used, in whole or in part, for manufacture or sale by anyone other than Amphenol Corporation without its prior consent, & that no right is granted to disclose or to use any information in this document.

REVISIONS				
SYM	ECN	DESCRIPTION	DATE	APPROVED
A		Release drawing	12/12/07	IP



Notes:

- Commercial number is L17DM53744207
- Current rating: 10 to 20A.



Customer drawing

2	4P00100	thermoplastic	
1	CONTACT	CuNi1Pb1P(C97)	0.375um gold over 1.25-2.5um nickel
Sequence	Part number	Material	Plating

UNLESS OTHERWISE SPECIFIED TOLERANCES		APPROVAL		DATE
U.S.	METRIC	DRAWN	Checked	
.X +/-	0.20	Sunny LA	12/12/07	
.XX +/-	0.10	Checked	12/12/07	
.XXX +/-	0.05	Checked		
FRACTIONS +/-				
ANGLES +/-	2'			

<i>Amphenol</i>	
TITLE <i>High power contact</i>	
SIZE	DRAWING NO.
A4	C L17DM53744207
SCALE	REV.
NONE	A
SHEET 1 OF 1	

