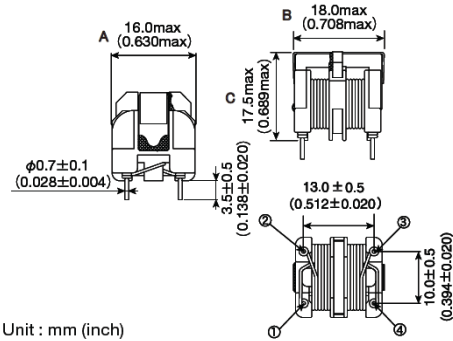


Leaded Common Mode Choke Coils for AC Lines

TLH10UA4321R0



■ Features

- Item Summary
4300 uH, 1 A, 16.0x18.0x17.5mm
- Lifecycle Stage
Mass Production
- Standard packaging quantity (minimum)
Bulk 500pcs

■ Products characteristics table

No. of Lines	2
Normal Mode Inductance (typ)	330 uH
Common Mode Inductance	4300 uH min
Case Size (mm)	16.0x18.0
DC Resistance (max)	0.398 Ω
Rated Current (max)	1 A
Rated Voltage (max)	AC250 V
Operating Temp. Range	-25 to +105 °C (Including-self-generated heat)
Insulation Resistance (min)	100 MΩ
RoHS2 Compliance (10 subst.)	Yes
REACH Compliance (173 subst.)	Yes
Soldering	Wave

■ External Dimensions

Dimension A	Max 16.0 mm
Dimension B	Max 18.0 mm
Dimension C	Max 17.5 mm

2017.04.30

The data is reference only. Electrical characteristics vary depending on environment or measurement condition.
 TAIYO YUDEN reserves the right to make change to the Date at any time without notice.
 Before making final selection, please check product specification.