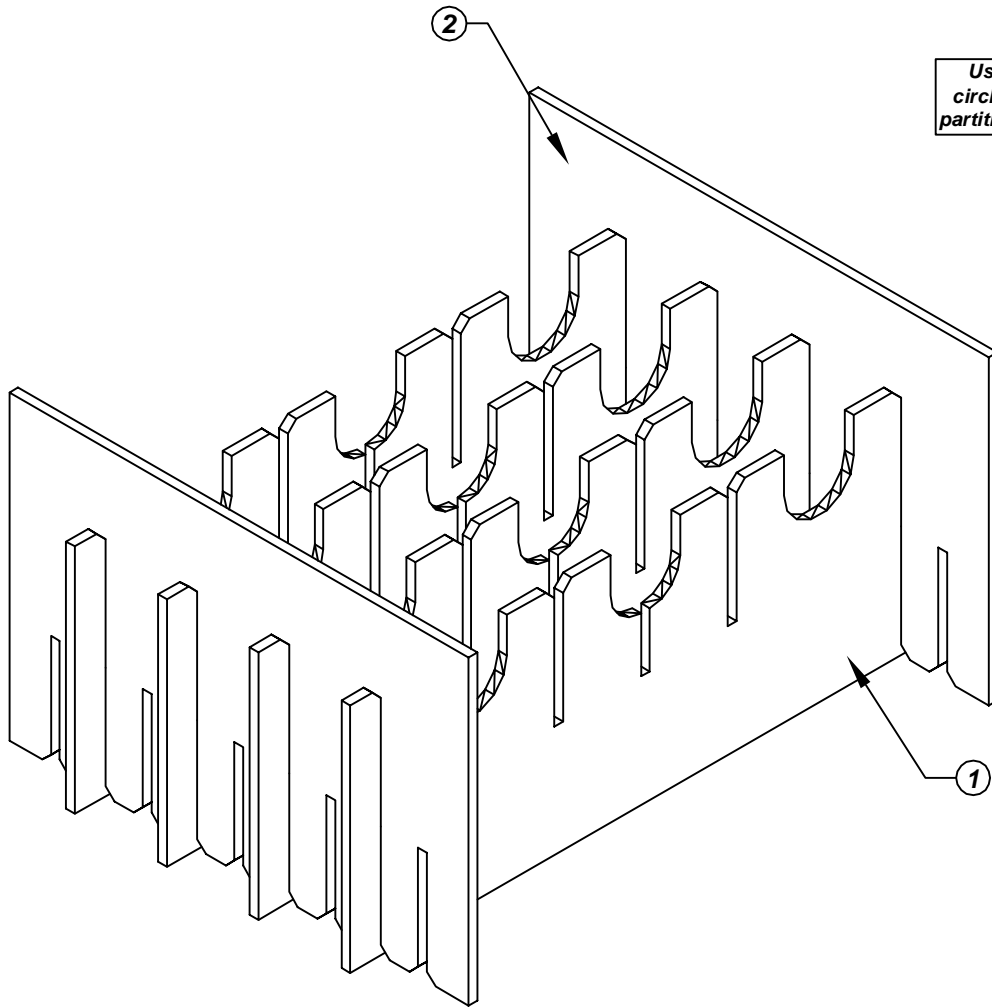
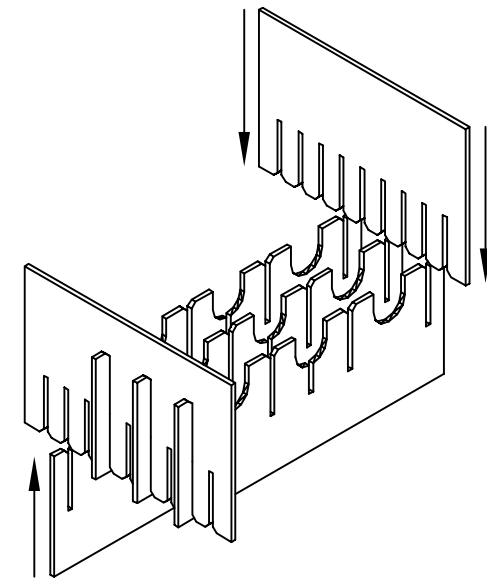
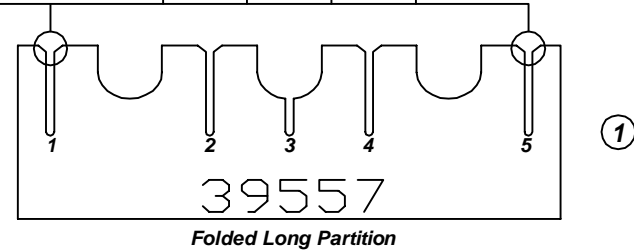
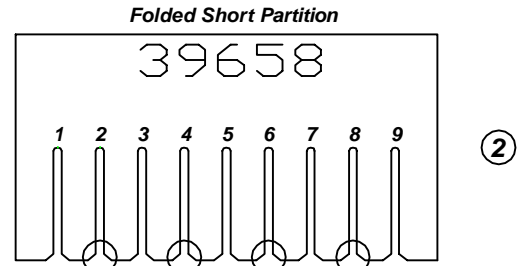


Assembly Instructions for - 37246



Use only the circled slots for partition assembly



Made in America

F/N ①	Part # 39557	Dimensions: 13-7/16" x 16-7/8"	Description: 436/438-LP Long Partition	Qty: 4
F/N ②	Part # 39658	Dimensions: 17-7/16" x 13-1/8"	Description: 438-SP Short Partition	Qty: 2

37246 - 5 Cell Inplant Handler Cell Size - 8-3/4" x 14-5/8" x 2-3/8"

Notes:
For use with the following storage container & lid:
37512 - Storage Container
37551 - Lid

PROTEKTIVE PAK
13520 MONTE VISTA AVENUE, CHINO, CA 91710
PHONE (909) 627-2578, FAX (909) 363-7331
ProtectivePak.com



DRAWING NUMBER
IPH-37246

DATE
Dec. 2007