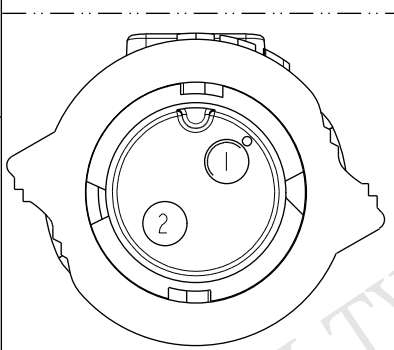
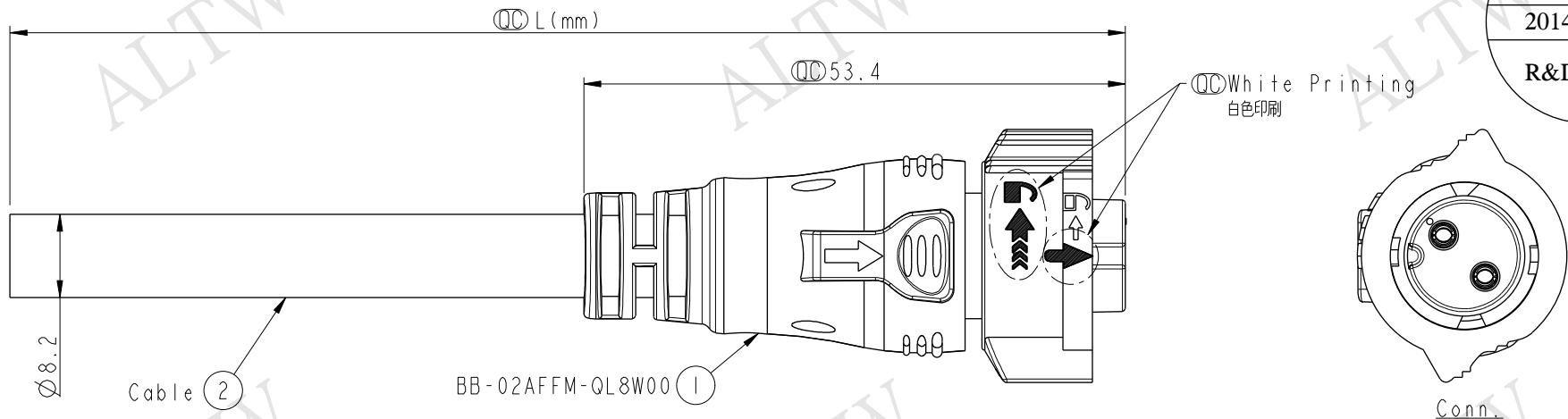


REV.	ECN NO.	DATE	SIGN	DESCRIPTION

ALTW
CONFIDENTIAL
2014-09-12
R&D DEPT.



Pin Assignments
Front View

ALTW
R&D DEPT.
CONFIDENTIAL
2014.11.26
ISSUED

BB-02AFFM-QL8E XX
 ↑
 XX : 01~99Meters
 01 : 01Meter
 02 : 02Meters
 :
 :
 :
 99 : 99Meters

- Note:
- * \varnothing Important Dimension To Check.
 - * Waterproof Rate: IP68(Mated)
 - * Working Voltage Rating: AC 300 V
 - * Working Current Rating: 10A
 - * Flame Class: UL94V-0 (UV Resistance)
 - * Housing: Nylon+GF, Black.
 - * Female Pin: Copper Alloy, Gold Plated.
 - * Rubber: Silicon, Gray
 - * Cable: SJTW 16AWG*2C + Filler
PVC Jacket UV Resistant, OD=8.2, Black.
 - * Cable Length Tolerance: 01M:±40mm
02M~05M:±60mm
06M~10M:±100mm
11M~30M:±200mm
31M~99M:±500mm

2	White	白
1	Black	黑
Conn.	Wire Color	
	Pin Out	

UNIT:mm
 TOLERANCE
 .X ±0.5

TITLE X-Lok B-Size (Power)
Molding F Conn F 2 Pin
 SCALE 3:2 SIZE A4 SHEET 1 OF 1
 REV. A WC-REV. A.1 \varnothing : Inspection item

Amphenol LTW
安費諾亮泰企業股份有限公司

ITEM NO	DRAWN BY Micky	DATE 2014-09-12
DWG NO BB-02AFFM-QL8EXX	CHECKED BY Spring	DATE 2014-09-12
CUSTOMER ALTW	APPROVED BY Kevin	DATE 2014-09-12

THIS DOCUMENT IS SUBJECT TO CHANGE WITHOUT NOTICE. IT IS CONFIDENTIAL AND A PROPERTY OF Amphenol LTW. DISCLOSURE TO THIRD PARTY HAS TO BE AUTHORIZED BY Amphenol LTW.