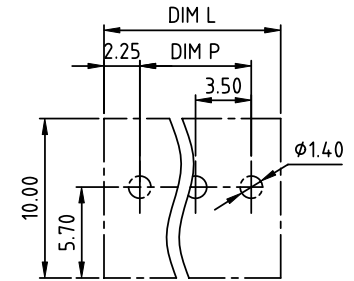
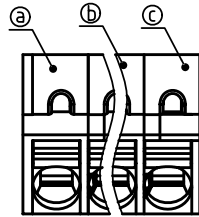
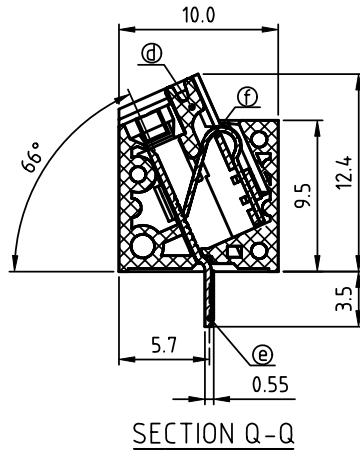
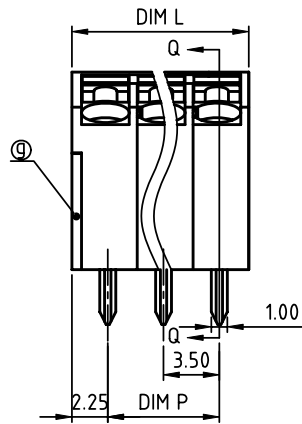


PRODUCT NUMBER	PITCH
NHxx10x000J0G	3.50mm



RECOMMENDED P.C.B LAYOUT  
TOP VIEW



Material:

- Item (a) Terminal with cover of body: Thermoplastic (UL94V-0)
- Item (b) Terminal normal body: Thermoplastic (UL94V-0)
- Item (c) Terminal side body: Thermoplastic (UL94V-0)
- Item (d) Terminal lever: Thermoplastic (UL94V-0) Orange (RAL2011/P)
- Item (e) Female Contact: Brass, Tin Plated
- Item (f) Spring clamp: Stainless steel
- Item (g) Terminal cover: Thermoplastic (UL94V-0)

Electrical:

- Voltage rating: 300 V
- Current rating: 10A
- Wire range:
  - Solid wire (AWG): 16-26
  - Stranded wire (AWG): 16-26
  - Wire strip length: 8-9 mm
- Withstanding Voltage: 1.6 KV
- Operating temperature: -40°C to +115°C
- Soldering temperature: 260°C ±5°C/5 Sec
- Safety Approval:

N=Number of poles

Dim L=N×3.5+0.6		
Dim P=(N-1)×3.5		
POLES	DIM L	DIM P
1p	±0.10	
2p-4p	±0.10	±0.10
5p-8p	±0.20	±0.20
9p-12p	±0.25	±0.25
13p-16p	±0.30	±0.30

PART NO.: NH xx 10 x 000J0 G

No. of poles	0	Black (RAL9005)	RoHS compliant (lead<4%)
End Stackable	2	Red (RAL3001/D)	In copper Alloy
01 1 poles	3	Orange (RAL2011/P)	
02 2 poles	4	Yellow (RAL1018/A)	
...	...	5 Green (RAL6018/T)	
16 16 poles	6	Blue (RAL5015/A)	
	8	Grey (RAL7004/P)	
	9	White (RAL1102)	
	C	Multiple colors	

mat'l. code		surface ASME Y14.5	tolerance ASME Y14.5	projection	product family TERMINAL BLOCK
ltr	ecn no	dr	date		title TERMINAL BLOCK
				tolerances unless otherwise specified	scale MM
				angles $\phi$ X±0.5	dwg no sheet 1 of 1
				X*±1°	size A4
				X.X±0.3	NHxx10x000J0G
				X.XX±0.1	type CUSTOMER Drawing
sheet index		revision	A		
		sheet	1		