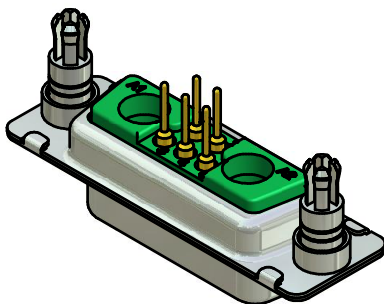
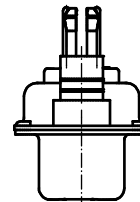
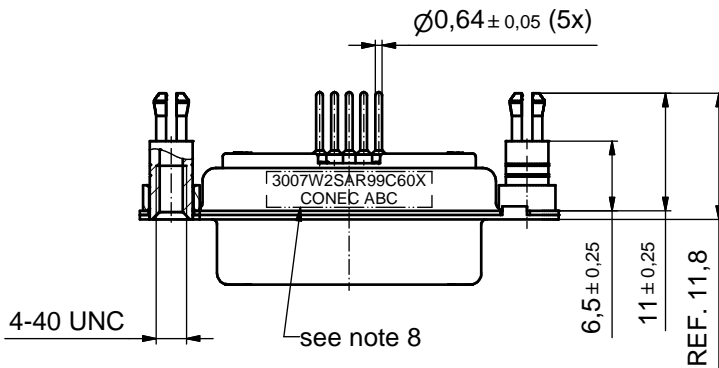
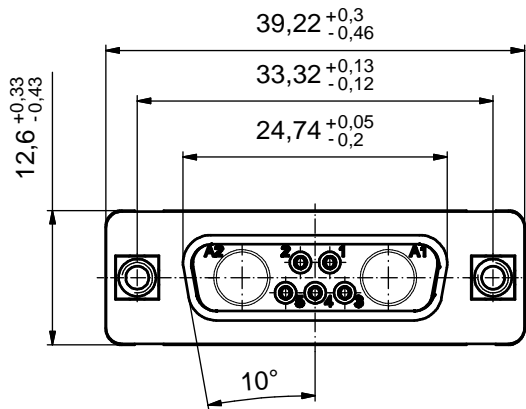
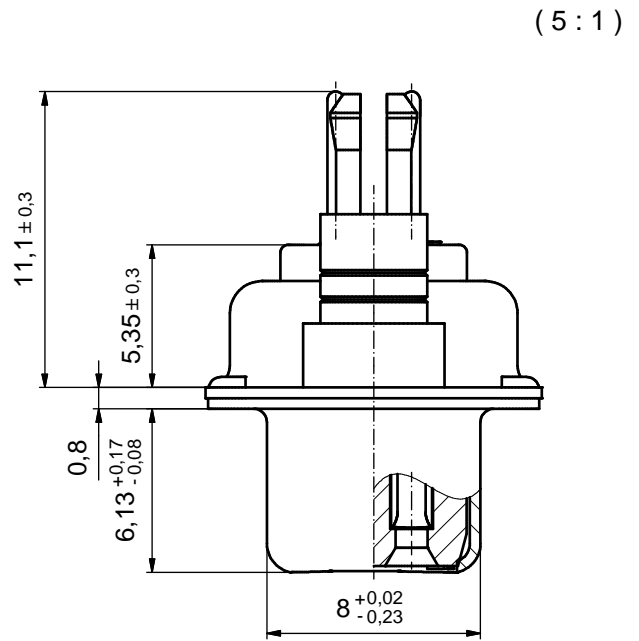


P.C.B. HOLE DRILLINGS
(PCB TOP SIDE)



Directive 2002/95/EC
RoHS
Compliant

NOTES:

- METALSHELLS: STEEL; min. 315µm TIN over 40-80µm NICKEL
- INSULATORS: PBT GF UL 94 V-0, GREEN
- SIGNAL CONTACTS: COPPER ALLOY
PLATING: 8µm HARD GOLD over min. 50µm NICKEL
- NO CONTACTS ON POS. A1 + A2
- THREADED SPACER CLIPS: COPPER ALLOY; min. 200µm TIN over 80µm NICKEL
PCB-HOLE: $\varnothing 3,1 \pm 0,1$ mm; PCB-THICKNESS: 3,2mm
- COLLARS: COPPER ALLOY; min. 200µm TIN over 80µm NICKEL
- MAXIMUM TORQUE VALUE FOR THREAD: 6 in.LB
- CONNECTOR IS PART MARKED: 3007W2SAR99C60X CONEC ABC

APPROVAL # FREIGABE # DEBLOCAGE # AUTORIZACION # APPROVAL	
CUSTOMER APPROVAL DATE:	
NAME:	TITLE:
COMPANY NAME:	
APPROVAL # FREIGABE # DEBLOCAGE # AUTORIZACION # APPROVAL	

THIS DRAWING MAY NOT BE COPIED OR REPRODUCED IN ANY WAY AND MAY NOT BE PASSED ON TO A THIRD PARTY WITHOUT WRITTEN PERMISSION. OWNERSHIP AND COPYRIGHT OF CONEC GmbH			
DO NOT ALTER CAD DRAWING BY HAND			
rev.	description	date	name

tolerance		scale:	2:1 (5:1)
	dim. in mm	material:	see notes
date	name	title:	
drawn 03.05.2010	Henneboel	D-SUB COMBINATION FEMALE	
appd. 03.05.2010	Koch	7W2S	
norm		with threaded spacer clip	
d-old		dwg no:	Inventor 10
a	Origin	13K1A3194	
DIN-A3		sh: 1	
part no:		3007W2SAR99C60X	

