

**80** mm sq.

# San Ace 80



## General Specifications

- Material ..... Frame: Plastics (Flammability: UL94V-0),  
Impeller: Plastics (Flammability: UL94V-1)
- Expected Life ..... Refer to specifications (L10:Survival rate:90% at 60°C ,  
rated voltage, and continuously run in a free air state)
- Lead Wire ..... ⊕red ⊖black (Sensor) yellow (Control) brown
- Storage Temperature ..... -30°C to +70°C (Non-condensing)

**80×80×38**mm (Mass : 220g) **9GV type**

## Specifications

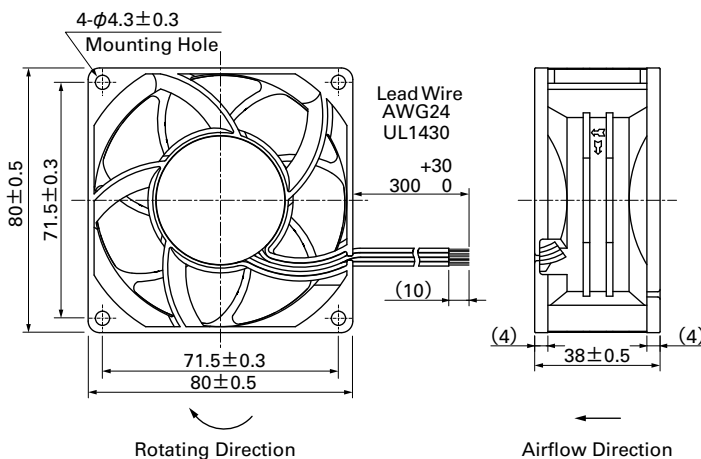
The following nos. **have PWM controls, pulse sensors, and ribs.** For ribless, append "1" to the model no.

Model No.	Rated Voltage [V]	Operating Voltage Range [V]	PWM duty cycle※ [%]	Rated Current [A]	Rated Input [W]	Rated Speed [min <sup>-1</sup> ]	Max. Airflow [m <sup>3</sup> /min] [CFM]	Max. Static Pressure [Pa] [inchH <sub>2</sub> O]	SPL [dB(A)]	Operating Temperature [°C]	Expected Life [h]	
9GV0812P1G03	12	10.8 to 13.2	100	3.80	45.60	10,200	3.90 138.0	490.0 1.97	65	-20 to +70	40,000/60°C	
			0	0.32	3.84	3,000	1.15 40.6	42.4 0.17	34			
9GV0812P1H03			100	3.00	36.00	9,700	3.70 131.0	440.0 1.77	63			
			0	0.20	2.40	2,900	1.11 39.2	39.0 0.16	34			
9GV0812P1F03			10.2 to 13.8	100	1.5	18	8,000	3.05 108.0	301.0 1.21			58
				0	0.12	1.44	2,400	0.92 32.0	27.1 0.11			26
9GV0812P1M03	100	0.75		9	6,000	2.29 81.0	169.0 0.68	51				
	0	0.09		1.08	1,700	0.65 23.0	13.6 0.05	19				
9GV0824P1G03	24	20.4 to 27.6		100	1.6	38.40	10,200	3.9 138.0	490.0 1.97			65
				0	0.3	7.2	4,700	1.79 63.2	104.0 0.41			44
9GV0848P1G03	48	40.8 to 55.2	100	0.84	40.32	10,200	3.9 138.0	490.0 1.97	65			
			0	0.15	7.2	4,700	1.79 63.2	104.0 0.41	44			

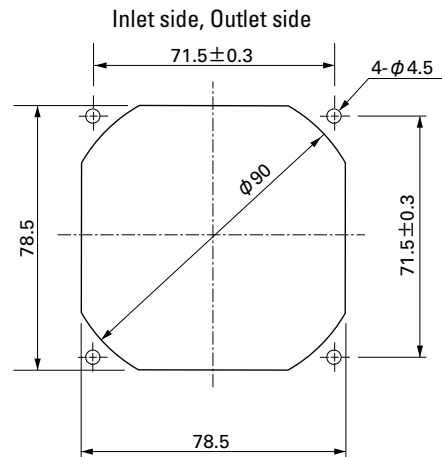
※PWM Frequency : 25kHz

Other sensor specifications are available as options. Please refer to the index (p. 507).

## Dimensions (unit: mm) (With ribs)

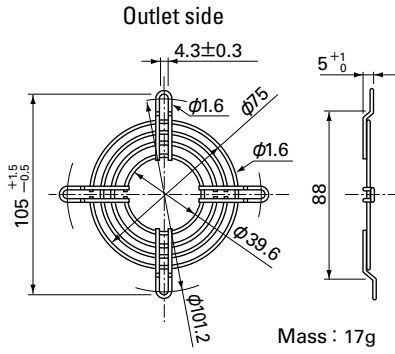


## Reference Dimensions of Mounting Holes and Vent Opening (unit: mm)



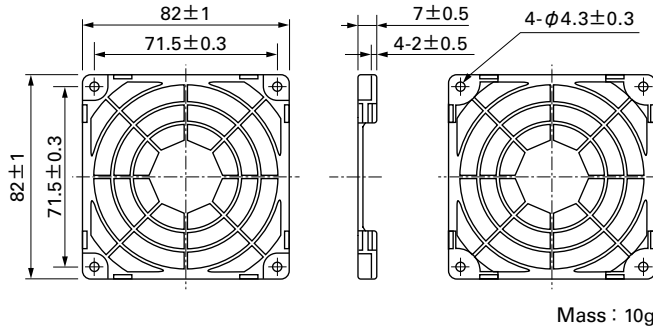
**Finger Guards**

Model : 109-049C Color : Nickel-chrome plating (silver)  
Surface treatment : Nickel-chrome plating (silver)



**Resin Finger Guards**

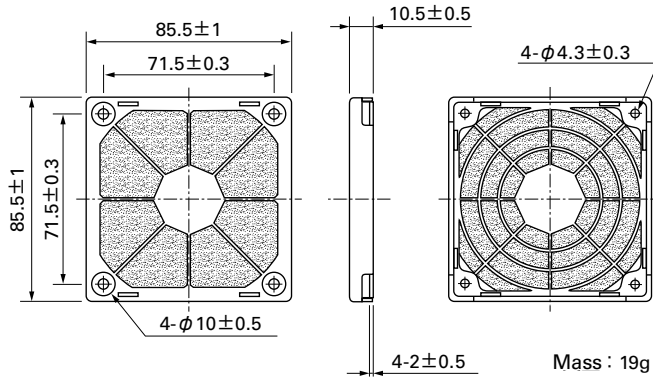
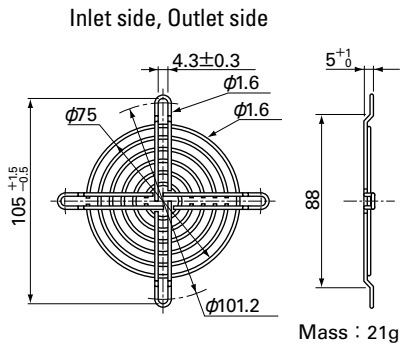
Model : 109-1002G



Model : 109-049E Color : Nickel-chrome plating (silver)  
Surface treatment : Nickel-chrome plating (silver)  
: 109-049H : Cation electropainting (black)

**Resin Filter Kits**

Model : 109-1002F13 (13PPI), 109-1002F20 (20PPI)  
: 109-1002F30 (30PPI), 109-1002F40 (40PPI)



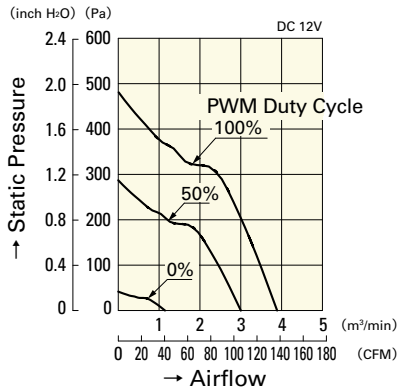
**80** mm sq.

**San Ace 80**

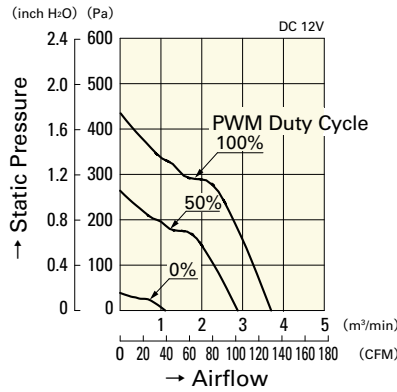
**80×80×38**mm [Mass : 220g]

**Airflow - Static Pressure Characteristics**

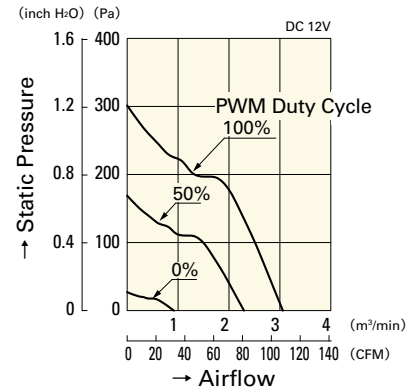
**PWM Duty Cycle**



**9GV0812P1G03**

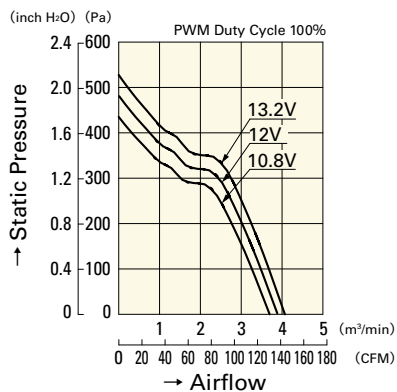


**9GV0812P1H03**

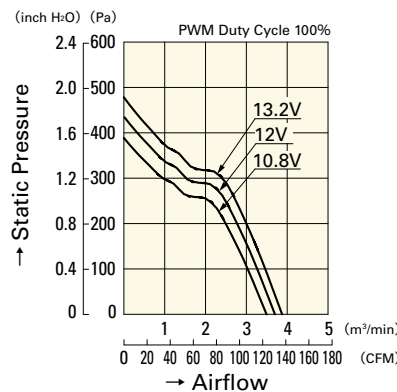


**9GV0812P1F03**

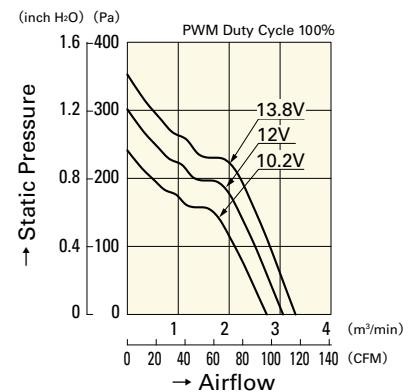
**Operating Voltage Range**



**9GV0812P1G03**

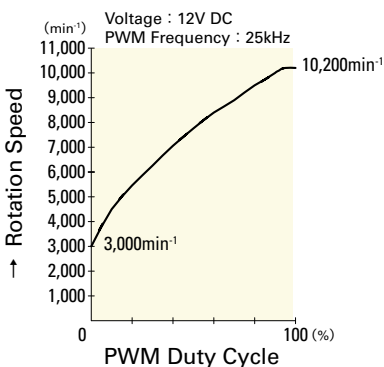


**9GV0812P1H03**

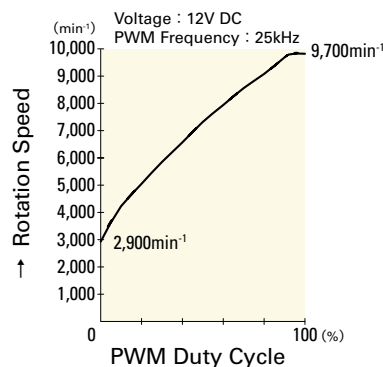


**9GV0812P1F03**

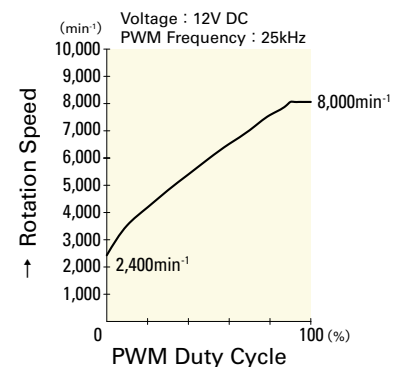
**PWM Duty - Speed Characteristics Example**



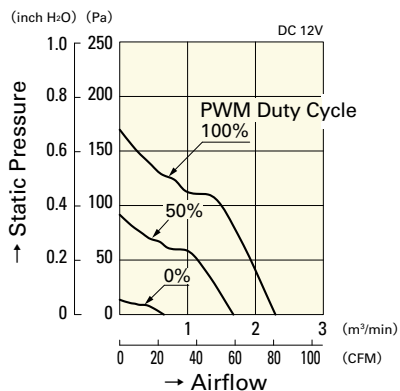
**9GV0812P1G03**



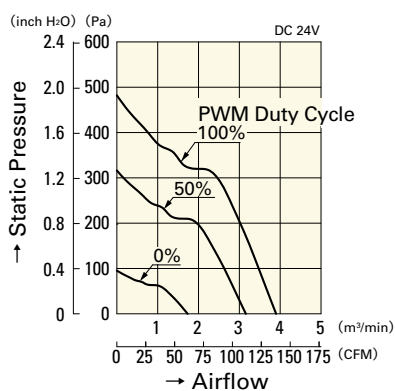
**9GV0812P1H03**



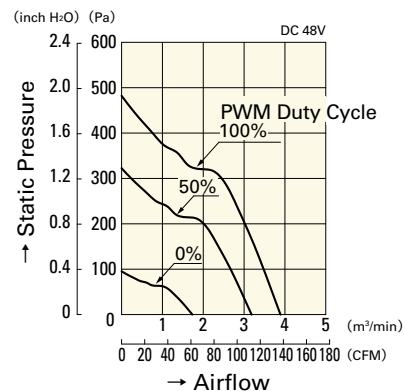
**9GV0812P1F03**



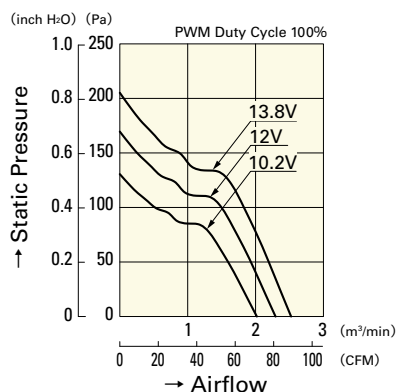
9GV0812P1M03



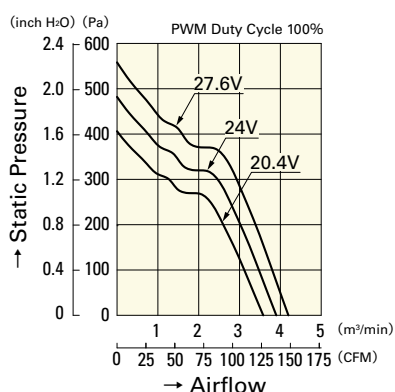
9GV0824P1G03



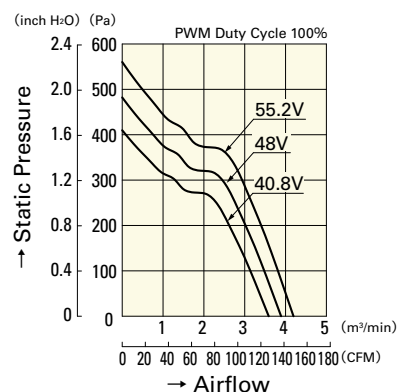
9GV0848P1G03



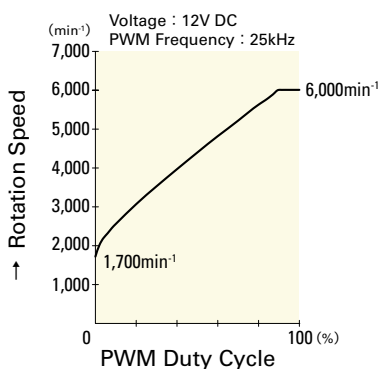
9GV0812P1M03



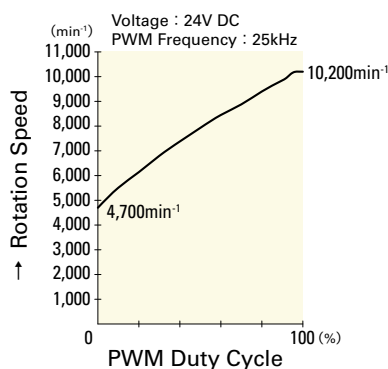
9GV0824P1G03



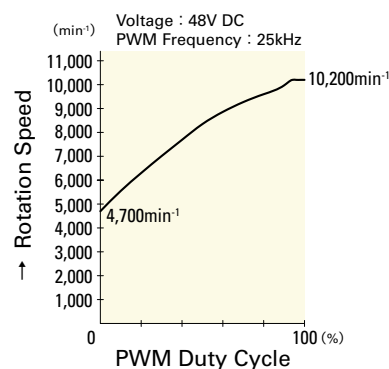
9GV0848P1G03



9GV0812P1M03



9GV0824P1G03



9GV0848P1G03