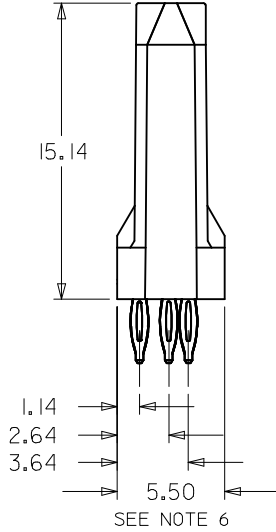
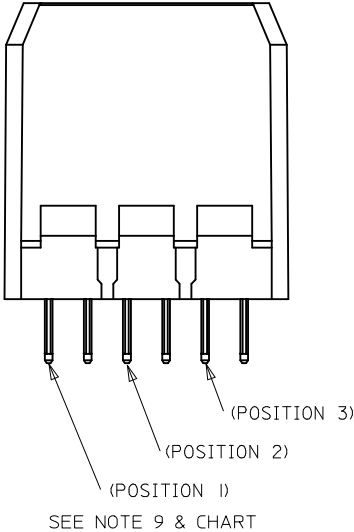
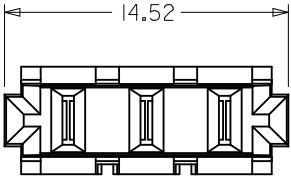
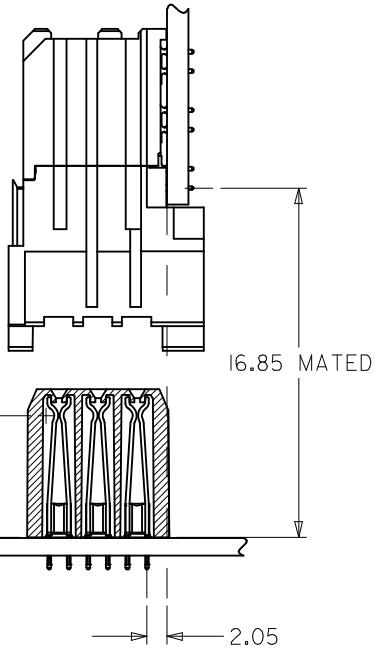
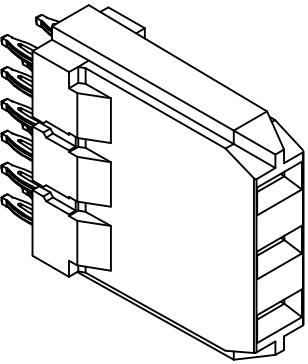


10 9 8 7 6 5 4 3 2 1



NOTES:

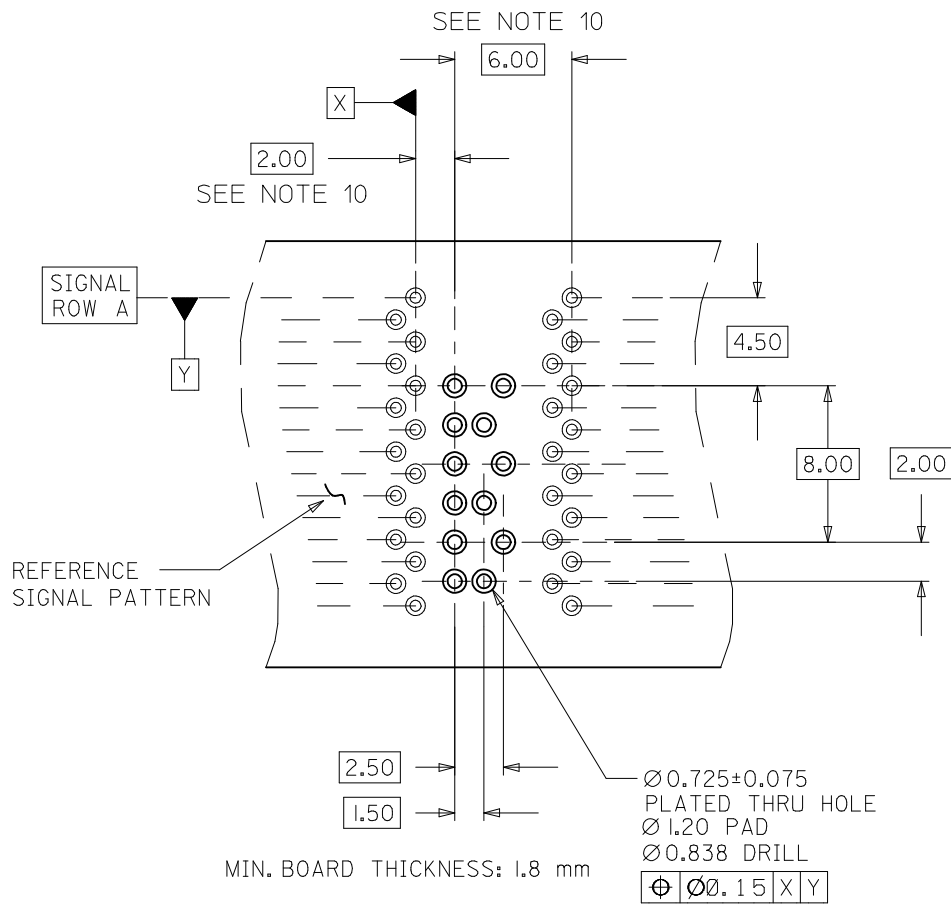
- MATERIALS:  
HOUSING - LIQUID CRYSTAL POLYMER (LCP)  
UL94 V-0 RATED, COLOR: BLACK  
TERMINAL - COPPER ALLOY
- FINISH: 30 MICROINCH MINIMUM GOLD ON MATING SURFACE;  
MATTE TIN (Sn) ON TAILS; NICKEL OVERALL.
- FINISH: 50 MICROINCH MINIMUM GOLD ON MATING SURFACE;  
MATTE TIN (Sn) ON TAILS; NICKEL OVERALL.
- FINISH: 50 MICROINCH MINIMUM GOLD ON MATING SURFACE;  
TIN / LEAD (Sn/Pb) ON TAILS; NICKEL OVERALL.
- THIS PART CONFORMS TO PRODUCT SPECIFICATION PS-74031-999.
- USE 6.00 mm NOMINAL FOR BACKPLANE LAYOUT.
- DIMENSION MEASURED FROM BOTTOM OF HOUSING.
- PACKED PER PK-70873-0876.
- CONTACT NOT PRESENT AT POSITION ON -84\*\* ASSEMBLIES.
- THIS DIMENSION TO BE MULTIPLE OF 2.00 mm AS REQUIRED.

| TIN / LEAD PLATING |                 |           |            | MATTE TIN PLATING |                 |           |            |
|--------------------|-----------------|-----------|------------|-------------------|-----------------|-----------|------------|
| ASSEMBLY #         | CONTACT PLATING | OPEN LOC. | # CONTACTS | ASSEMBLY #        | CONTACT PLATING | OPEN LOC. | # CONTACTS |
| 74029-8950         | SEE NOTE 4      | N/A       | 3          | 74029-8000        | SEE NOTE 2      | N/A       | 3          |
|                    |                 |           |            | 74029-8050        | SEE NOTE 3      | N/A       |            |
| 74029-8450         | SEE NOTE 3      | POS. 2    | 2          | 74029-8400        | SEE NOTE 2      | POS. 2    | 2          |
|                    |                 |           |            | 74029-8450        | SEE NOTE 3      | POS. 2    |            |
|                    |                 |           |            | 74029-8401        | SEE NOTE 2      | POS. 1    |            |
|                    |                 |           |            | 74029-8451        | SEE NOTE 3      | POS. 1    |            |
|                    |                 |           |            | 74029-8403        | SEE NOTE 2      | POS. 3    |            |
|                    |                 |           |            | 74029-8453        | SEE NOTE 3      | POS. 3    |            |

|  |                                      |  |  |  |   |                     |
|--|--------------------------------------|--|--|--|---|---------------------|
| <b>ADD LEADED P/N</b><br>EC NO: UCP2013-0146<br>DRW: S/MANG01 2012/07/16<br>CHKD: MOLF 2012/07/16<br>APPR: SMILLER 2012/08/06<br>K | QUALITY SYMBOLS<br>▽=0<br>▽=0<br>▽=0 | GENERAL TOLERANCES (UNLESS SPECIFIED)<br>mm INCH<br>4 PLACES ± --- ± ---<br>3 PLACES ± --- ± ---<br>2 PLACES ± 0.25 ± ---<br>1 PLACE ± 0.38 ± ---<br>0 PLACE ± ± | DIMENSION STYLE<br><b>MM ONLY</b><br>DRAWN BY DATE<br>TELO 98/10/19<br>CHECKED BY DATE<br>DBREARLEY 98/10/21<br>APPROVED BY DATE<br>SMILLER 2012/01/20 | SCALE<br><b>4:1</b><br>DESIGN UNITS<br><b>METRIC</b><br>THIRD ANGLE PROJECTION | TITLE<br><b>VHDM 8 ROW POWER BACKPLANE SALES DRAWING</b><br><b>molex</b><br>MATERIAL NO.<br><b>SEE TABLE</b><br>DOCUMENT NO.<br><b>SD-74029-002</b> | SHEET NO.<br>1 OF 2 |
|  |                                      | ANGULAR ± 1/2°<br>DRAFT WHERE APPLICABLE<br>MUST REMAIN WITHIN DIMENSIONS  | THIS DRAWING CONTAINS INFORMATION THAT IS PROPRIETARY TO MOLEX INCORPORATED AND SHOULD NOT BE USED WITHOUT WRITTEN PERMISSION                          |  |   |                     |
|  |                                      | REV<br>DESCRIPTION   | SIZE<br><b>B</b>   |  |   |                     |
|  |                                      |  |  |  |   |                     |

9 8 7 6 5 4 3 2 1

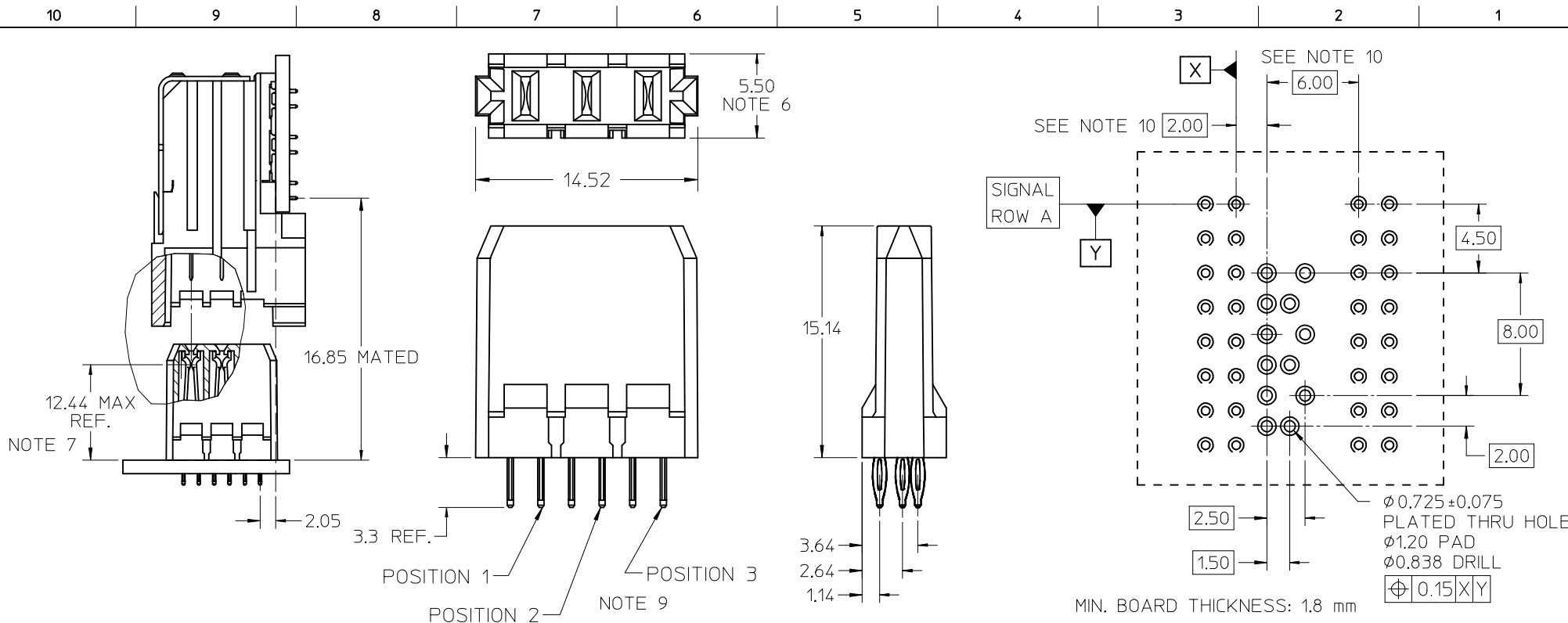
10 9 8 7 6 5 4 3 2 1



| <b>SEE SHEET 1</b><br>EC NO: UCP2013-0146<br>DRWN:SYANG01 2012/07/16<br>CHKD:MWOLFE 2012/07/16<br>APPR:SMILLER 2012/08/06<br>REV | QUALITY SYMBOLS<br>▽/0<br>▽/0<br>▽/0 | GENERAL TOLERANCES (UNLESS SPECIFIED)<br><table border="1"> <thead> <tr> <th></th> <th>mm</th> <th>INCH</th> </tr> </thead> <tbody> <tr> <td>4 PLACES</td> <td>±---</td> <td>±---</td> </tr> <tr> <td>3 PLACES</td> <td>±---</td> <td>±---</td> </tr> <tr> <td>2 PLACES</td> <td>±0.25</td> <td>±---</td> </tr> <tr> <td>1 PLACE</td> <td>±0.38</td> <td>±---</td> </tr> <tr> <td>0 PLACE</td> <td>±</td> <td>±</td> </tr> </tbody> </table> |                    | mm   | INCH                                | 4 PLACES                   | ±--- | ±--- | 3 PLACES | ±--- | ±--- | 2 PLACES | ±0.25 | ±--- | 1 PLACE | ±0.38 | ±--- | 0 PLACE | ± | ± | DIMENSION STYLE<br><b>MM ONLY</b> | SCALE<br><b>4:1</b> | DESIGN UNITS<br><b>METRIC</b> | THIRD ANGLE PROJECTION |
|--|--------------------------------------|--|--------------------|--|-------------------------------------|----------------------------|------|------|----------|------|------|----------|-------|------|---------|-------|------|---------|---|---|-----------------------------------|---------------------|-------------------------------|------------------------|
|  |                                      | mm   | INCH               |  |                                     |                            |      |      |          |      |      |          |       |      |         |       |      |         |   |   |                                   |                     |                               |                        |
|  | 4 PLACES                             | ±---   | ±---               |  |                                     |                            |      |      |          |      |      |          |       |      |         |       |      |         |   |   |                                   |                     |                               |                        |
|  | 3 PLACES                             | ±---   | ±---               |  |                                     |                            |      |      |          |      |      |          |       |      |         |       |      |         |   |   |                                   |                     |                               |                        |
| 2 PLACES   | ±0.25                                | ±---   |                    |  |                                     |                            |      |      |          |      |      |          |       |      |         |       |      |         |   |   |                                   |                     |                               |                        |
| 1 PLACE  | ±0.38                                | ±---   |                    |  |                                     |                            |      |      |          |      |      |          |       |      |         |       |      |         |   |   |                                   |                     |                               |                        |
| 0 PLACE  | ±                                    | ±  |                    |  |                                     |                            |      |      |          |      |      |          |       |      |         |       |      |         |   |   |                                   |                     |                               |                        |
|  |                                      | DRAWN BY<br>TELO   | DATE<br>98/10/19   | TITLE<br><b>VHDM 8 ROW POWER BACKPLANE SALES DRAWING</b> |                                     |                            |      |      |          |      |      |          |       |      |         |       |      |         |   |   |                                   |                     |                               |                        |
|  |                                      | CHECKED BY<br>DBREARLEY  | DATE<br>98/10/21   | <b>molex</b>   |                                     |                            |      |      |          |      |      |          |       |      |         |       |      |         |   |   |                                   |                     |                               |                        |
|  |                                      | APPROVED BY<br>SMILLER   | DATE<br>2012/01/20 | MATERIAL NO.<br><b>SEE TABLE</b>                         | DOCUMENT NO.<br><b>SD-74029-002</b> | SHEET NO.<br><b>2 OF 2</b> |      |      |          |      |      |          |       |      |         |       |      |         |   |   |                                   |                     |                               |                        |

9 8 7 6 5 4 3 2 1

THIS DRAWING CONTAINS INFORMATION THAT IS PROPRIETARY TO MOLEX INCORPORATED AND SHOULD NOT BE USED WITHOUT WRITTEN PERMISSION



- NOTES:
- MATERIALS:  
HOUSING - LIQUID CRYSTAL POLYMER (LCP)  
UL94 V-0 RATED, COLOR: BLACK  
TERMINAL - COPPER ALLOY
  - FINISH: 30 MICROINCHES MINIMUM GOLD ON MATING SURFACE;  
MATTE TIN (Sn) ON TAILS; NICKEL OVERALL.
  - FINISH: 50 MICROINCHES MINIMUM GOLD ON MATING SURFACE;  
MATTE TIN (Sn) ON TAILS; NICKEL OVERALL.
  - FINISH: 50 MICROINCHES MINIMUM GOLD ON MATING SURFACE;  
TIN / LEAD (Sn/Pb) ON TAILS; NICKEL OVERALL.
  - THIS PART CONFORMS TO PRODUCT SPECIFICATION  
PS-74031-999.
  - USE 6.00 mm NOMINAL FOR BACKPLANE LAYOUT.
  - DIMENSION MEASURED FROM BOTTOM OF HOUSING.
  - PACKED PER PK-70873-0876.
  - CONTACT NOT PRESENT AT POSITION ON -84\*\* ASSEMBLIES.
  - THIS DIMENSION TO BE MULTIPLE OF 2.00 mm AS REQUIRED.

| TIN / LEAD PLATING |                 |           |            | MATTE TIN PLATING |                 |           |            |
|--------------------|-----------------|-----------|------------|-------------------|-----------------|-----------|------------|
| ASSEMBLY #         | CONTACT PLATING | OPEN LOC. | # CONTACTS | ASSEMBLY #        | CONTACT PLATING | OPEN LOC. | # CONTACTS |
| 74029-8950         | SEE NOTE 4      | N/A       | 3          | 74029-8000        | SEE NOTE 2      | N/A       | 3          |
|                    |                 |           |            | 74029-8050        | SEE NOTE 3      | N/A       |            |
|                    |                 |           |            | 74029-8400        | SEE NOTE 2      | POS. 2    | 2          |
|                    |                 |           |            | 74029-8450        | SEE NOTE 3      | POS. 2    |            |
|                    |                 |           |            | 74029-8401        | SEE NOTE 2      | POS. 1    |            |
|                    |                 |           |            | 74029-8451        | SEE NOTE 3      | POS. 1    |            |
|                    |                 |           |            | 74029-8403        | SEE NOTE 2      | POS. 3    |            |
|                    |                 |           |            | 74029-8453        | SEE NOTE 3      | POS. 3    |            |

|  |                      |  |                                       |   |   |                        |
|--|----------------------|--|---------------------------------------|---|---|------------------------|
| ADD LEADED P/N<br>EC NO: UCP2013-0146<br>DRWNS:VANG01 2012/07/13<br>CHKD:WOLFE 2012/07/13<br>APPR:SMILLER 2012/08/06 | QUALITY SYMBOLS      | GENERAL TOLERANCES (UNLESS SPECIFIED)                | DIMENSION STYLE<br>MM ONLY            | SCALE<br>4:1  | DESIGN UNITS<br>METRIC                  | THIRD ANGLE PROJECTION |
|  | $\nabla=0$           | 4 PLACES ± --- ± ---                                 | DRAWN BY DATE<br>ELO 2001/10/04       | TITLE   | HSD 8 ROW POWER BACKPLANE SALES DRAWING |                        |
|  | $\nabla=0$           | 3 PLACES ± --- ± ---                                 | CHECKED BY DATE<br>GORSKI 2001/10/05  |   |   |                        |
|  | $\nabla=0$           | 2 PLACES ± 0.25 ± ---                                | APPROVED BY DATE<br>BIXLER 2001/10/08 | MATERIAL NO.  | DOCUMENT NO.                            | SHEET NO.              |
|  | 1 PLACE ± 0.38 ± --- |  | SEE TABLE                             | SD-74029-009  | 1 OF 1                                  |                        |
|  | 0 PLACE ± ±          | ANGULAR ± 5 °  | SIZE B                                | THIS DRAWING CONTAINS INFORMATION THAT IS PROPRIETARY TO MOLEX INCORPORATED AND SHOULD NOT BE USED WITHOUT WRITTEN PERMISSION |   |                        |
|  |                      | DRAFT WHERE APPLICABLE MUST REMAIN WITHIN DIMENSIONS |                                       |   |   |                        |