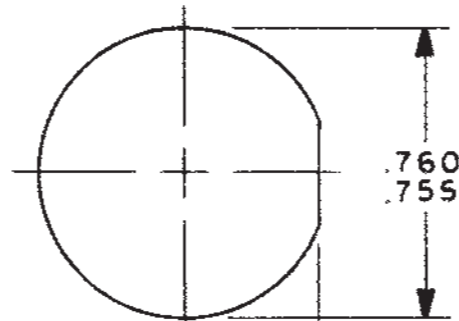
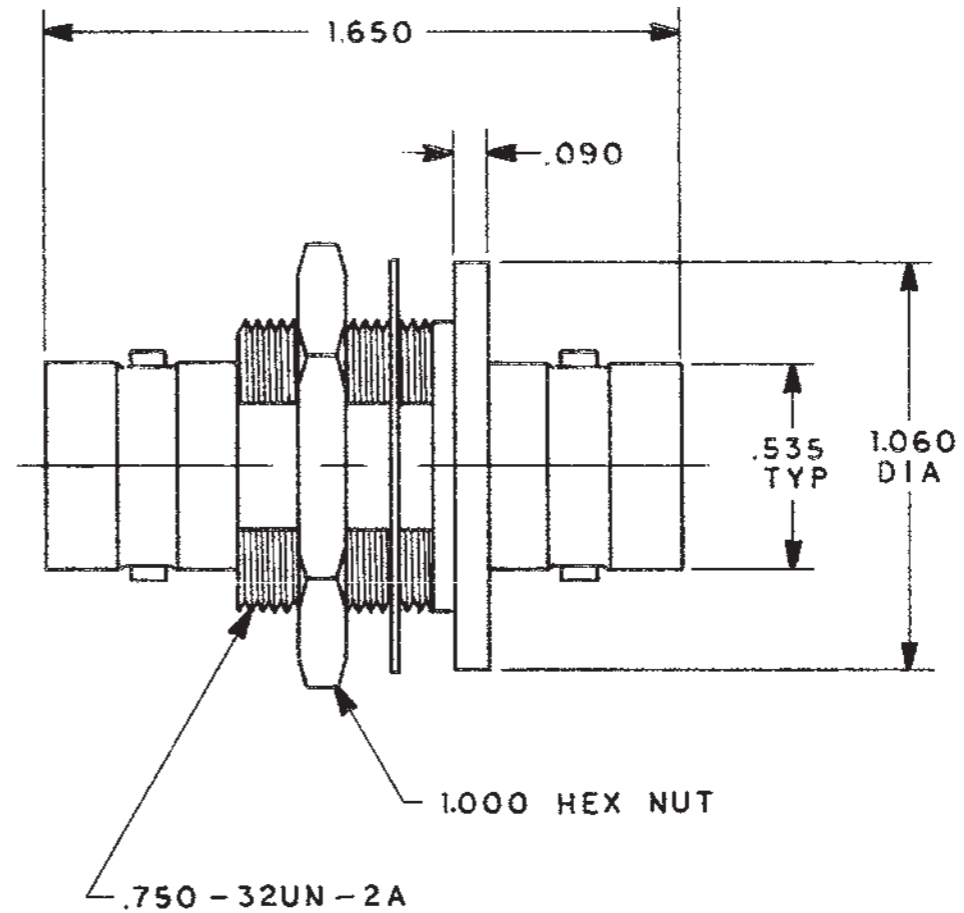
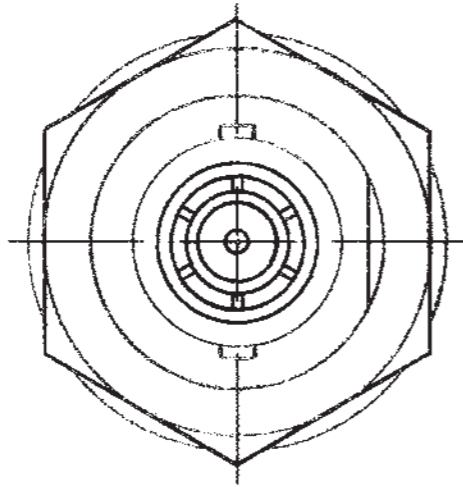


DATA CONTAINED IN THIS DOCUMENT IS PROPRIETARY TO TROMPETER ELECTRONICS INC. AND SHALL NOT BE DISCLOSED, COPIED OR USED FOR PROCUREMENT OR MANUFACTURE WITHOUT EXPRESS WRITTEN PERMISSION.


| REVISIONS | | | 3005-0460 | | SH 1 |
|-----------|----|-------------|-----------|----------|------|
| REV | EO | DESCRIPTION | DWN | APPROVED | DATE |
| | | | | | |

| INCH | MM |
|-------|-------|
| .005 | 0.13 |
| .090 | 2.29 |
| .343 | 8.71 |
| .346 | 8.79 |
| .350 | 8.89 |
| .535 | 13.59 |
| .750 | 19.05 |
| .755 | 19.18 |
| .760 | 19.30 |
| 1.000 | 25.40 |
| 1.060 | 26.92 |
| 1.650 | 41.91 |



RECOMMENDED PANEL CUTOUT
SCALE: 2/1

4. CONCENTRIC TWINAX/TRIAX TRC TYPE NONINSULATED BULKHEAD MOUNT FEEDTHRU JACK
3. MAX PANEL THK .350
2. FINISH: TFS-1A (NICKEL)
1. ALL DIM ARE IN INCHES

| QTY | DESCRIPTION | PART NUMBER | ITEM |
|---|-------------|---|-----------------------|
| TOL UNLESS SPECIFIED .XX ± .XXX ± .005 .XXXX ± ANGLES ± | |  BJ88 | |
| DWN | RAG 4/9/86 | | |
| CHK | F3 9-10-86 | — | 14949 |
| ENGR | RAG 9-25-86 | SCALE 2/1 | DRAWING NO. 3005-0460 |
| APPR | RAG 9-26-86 | DATE 9-29-86 | REV |
| NEXT ASSY | | SHEET 1 OF 2 | |