

- 1 ONLY IN SEAL AREA / (Nur im einzeltuellebereich)
  - 2 ONLY IN SLOT AREA / (Nur im steckfensterbereich)
  - 3 NOMINAL DIMENSION, ONLY FOR INFO: NOT IN INITIAL SAMPLE REPORT / (Nominale Mass, nur zu info: kommt nicht in Erstmusterprüfbericht)
  - 4 RECYCLED MATERIAL MAX. 25% / (Regeneratbeimischung max. 25%) LIQUID COLOR ALLOWED / (Liquideinfärbung zugelassen)
  - 5 SILICONE RUBBER / (Silikonkautschuk) RESISTANT TO OZONE AND TO HOT AIR +180°C / (Ozonbeständig, wärmluftbeständig +180°C) RESISTANT TO COLD -45°C, OIL PRECENTAGE 2%+1% / (Kältebeständig -45°C, ölanteil 2%+1%)
  - 6 USE TEST ADAPTOR FOR CONTINUING TESTING ACCORDING V23542-C1052-B300-\*\*-7424 / (Zu verwenden prüfadaptor siehe V23542-C1052-B300-\*\*-7424)
  - 7 FOR LENGTH TOLERANCES REFER TO DIN 16901-130; FOR ANGLES, FORM AND POSITION TOLERANCES REFER TO DIN ISO 2768-mH / (Längen DIN 16901-130; Winkel, Form und Lage: DIN ISO 2768-mH)
  - 8 -NR.48 CAVITIES SUITABLE FOR ELO SEAL CONTACTS P/N 4-1411572-1 (0,35mm<sup>2</sup>) CRIMPED ON SINGLE WIRE SEALS P/N 964971-1 (OR, IN ALTERNATIVE, P/N 1393457-2) AND P/N 2-1411573-1 (0,5-0,75mm<sup>2</sup>) CRIMPED ON SINGLE WIRE SEALS P/N 1393457-1 (OR, IN ALTERNATIVE, P/N 963530-1). CAVITY PLUG TO CLOSE UNUSED CAVITIES: P/N 1393457-3 (OR, IN ALTERNATIVE, P/N 963531-1)
  - 9 -NR.4 CAVITIES SUITABLE FOR ELO POWER SEAL CONTACTS P/N 1411593-1 (0,75-1,0mm<sup>2</sup>) CRIMPED ON SINGLE WIRE SEALS P/N 1393458-1, AND P/N 1411594-1-1 (1,5-2,5mm<sup>2</sup>) CRIMPED ON SINGLE WIRE SEALS P/N 1393457-4. CAVITY PLUGS TO CLOSE UNUSED CAVITIES: P/N 1393457-5
- 10) CONNECTOR SUITABLE TO MATE WITH HEADER COUNTERPART P/N 8-1393476-0

**TE CONNECTIVITY ORDER NO. / (TE CONNECTIVITY Bestellnummer)**

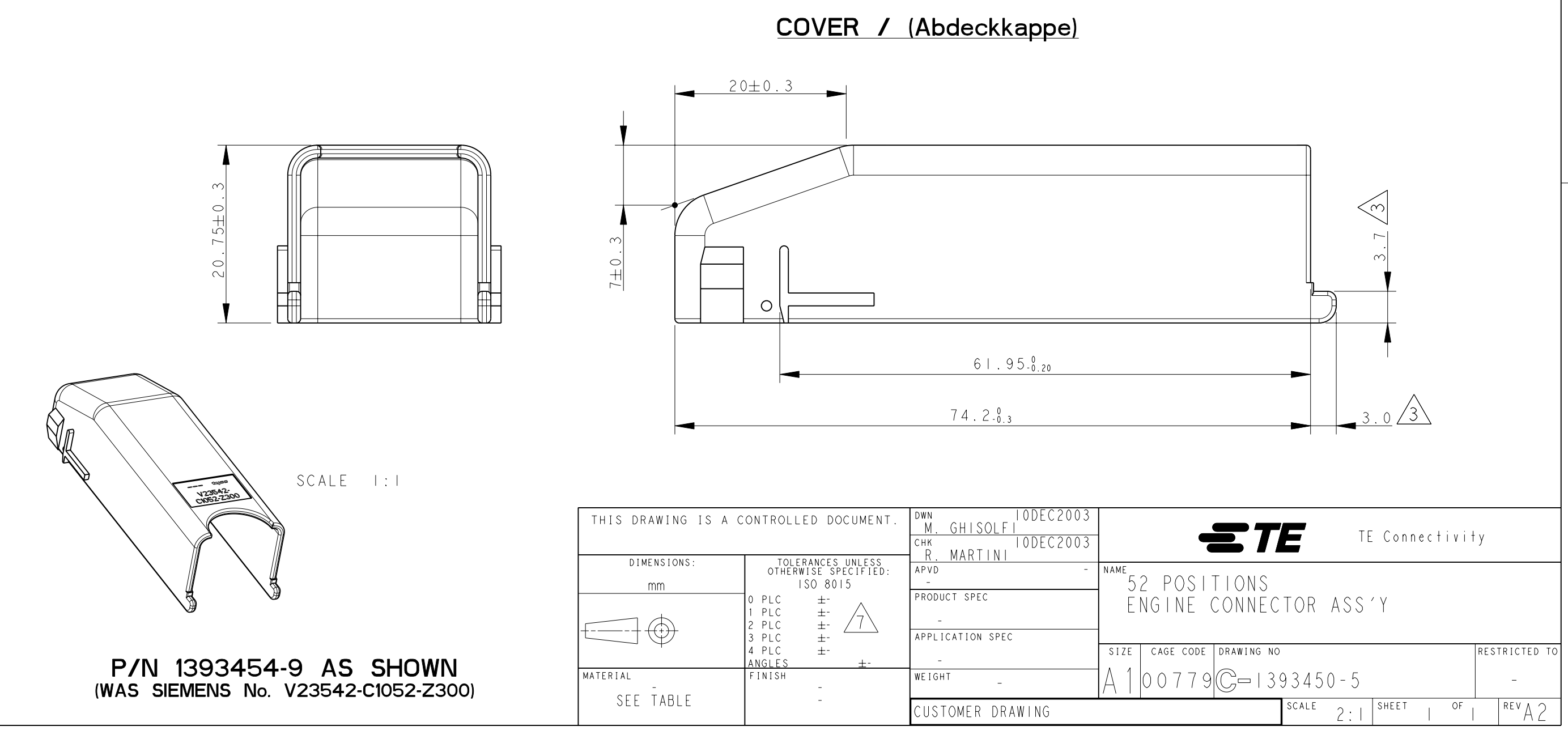
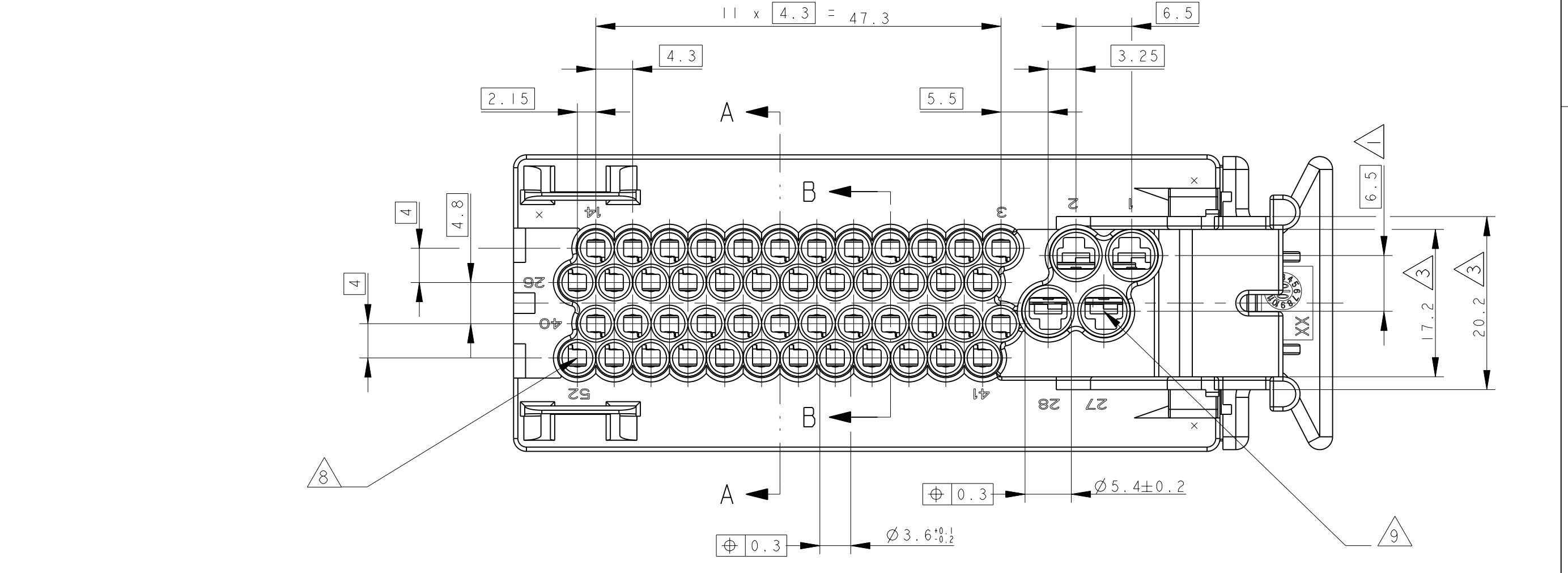
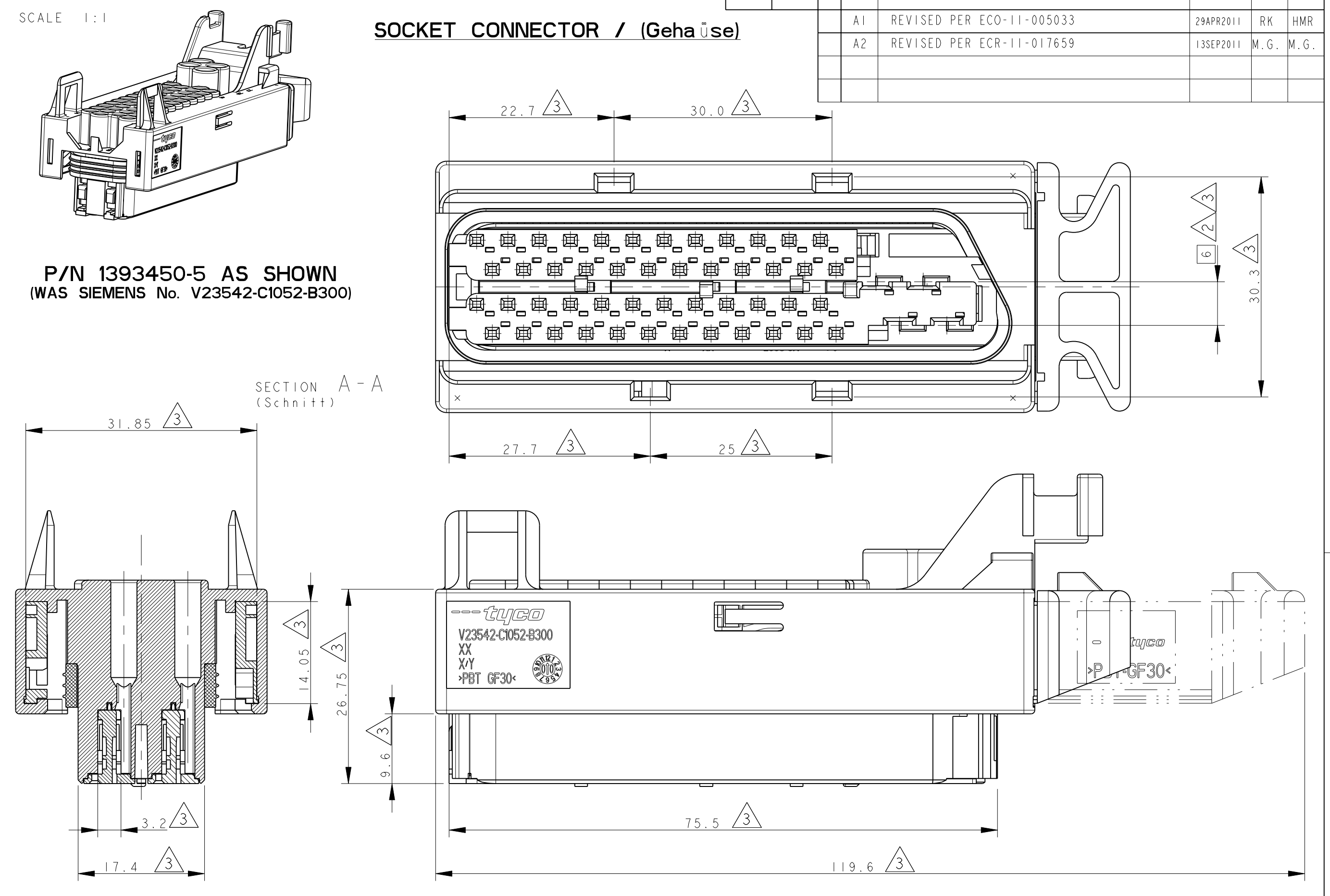
- SOCKET HOUSING WITHOUT COVER P/N 1393450-5 / (Gehäuse ohne Abdeckkappe) (was SIEMENS code V23542-C1052-B300)
- COVER P/N 1393454-9 / (Abdeckkappe) (was SIEMENS code V23542-C1052-Z300)

BOTH PARTS NEED TO BE ORDERED / (Teile müssen einzeln bestellt werden)

TE CONNECTIVITY P/N	REV.	DESCRIPTION	WEIGHT [g]
1393450-5	A	SOCKET CONNECTOR WITHOUT COVER	52.2
1393454-9	A	COVER	9.3

**MATERIAL LIST / (Materialliste)**

ITEM	QTY	DESCRIPTION (Bezeichnung)	MATERIAL (Material)	COLOR (Farbe)
1	1	SOCKET HOUSING / (Grundkörper)	PBT-GF(30±3)%	BLACK / (Schwarz)
2	1	RADIAL SEAL / (Radialdichtung)	VMQ	GREEN / (Grün)
3	1	COVER / (Abdeckkappe)	PBT-GF(20±2)%	BLACK / (Schwarz)
4	1	SECONDARY LOCK (I) / (Kontaktsicherung)	PBT-GF(20±2)%	NATURAL / (Natur)
5	1	SLIDE / (Kulissenutschieber)	PBT-GF(30±3)%	BLACK / (Schwarz)
6	1	SECONDARY LOCK (II) / (Kontaktsicherung)	PBT-GF(20±2)%	NATURAL / (Natur)



LOC	DIST	REV	DESCRIPTION	DATE	DWN	APVD
1	-	A1	REVISED PER ECO-11-005033	29APR2011	RK	HMR
1	-	A2	REVISED PER ECR-11-017659	13SEP2011	M.G.	M.G.

THIS DRAWING IS A CONTROLLED DOCUMENT.

DIMENSIONS: mm	TOLERANCES UNLESS OTHERWISE SPECIFIED: ISO 8015	DWN: M. GHISOLET	TO DEC 2003
1 PLC ±	2 PLC ±	3 PLC ±	4 PLC ±
5 ANGLE ±	6 ANGLE ±	7 ANGLE ±	8 ANGLE ±
MATERIAL: SEE TABLE	FINISH: -	CHK: R. MARTINI	APVD: -
NAME: 52 POSITIONS ENGINE CONNECTOR ASS'Y	PRODUCT SPEC: -	APPLICATION SPEC: -	WEIGHT: -
SIZE: A1	CAGE CODE: -	DRAWING NO: 100779	RESTRICTED TO: -
CUSTOMER DRAWING	SCALE: 2:1	SHEET: 1 OF 1	REV: A2