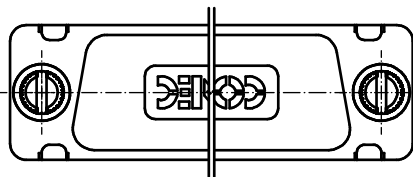
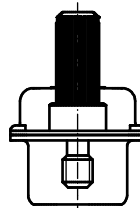
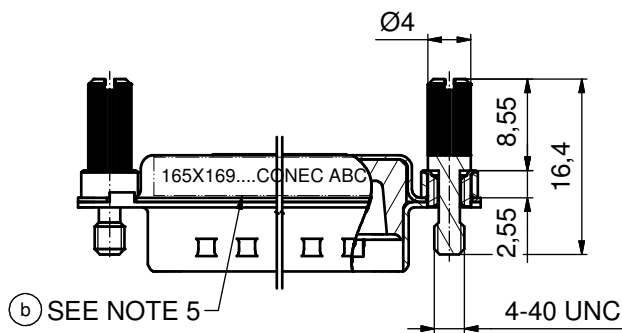
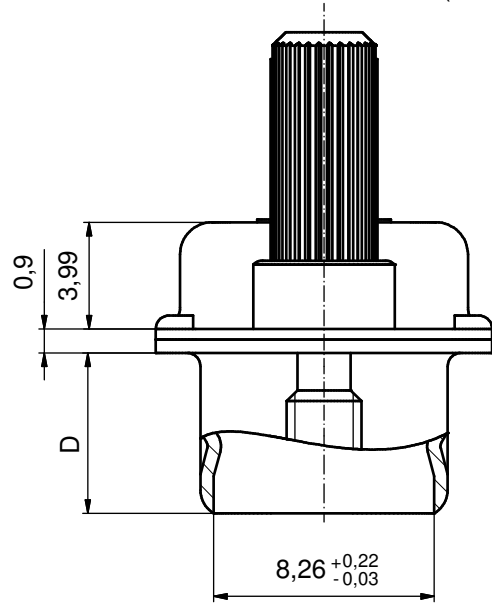
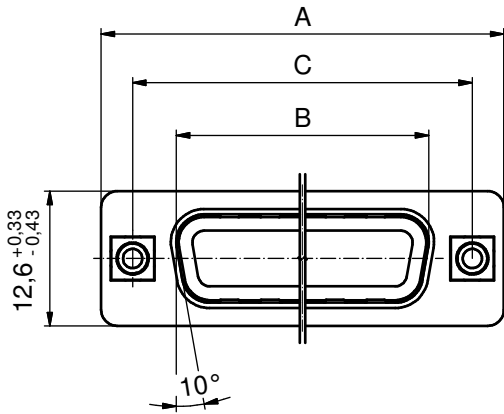


No. of pos.	A <sub>-0,76</sub>	B <sub>+0,25</sub>	C	D <sub>-0,3</sub>	Part-No.
9	31,19	16,79	25,00 <sup>+0,12</sup> <sub>-0,13</sub>	6,12	165X16909X
15	39,52	25,12	33,30 <sup>+0,15</sup> <sub>-0,1</sub>	6,12	165X16919X
25	53,42	38,84	47,04 $\pm$ 0,13	5,99	165X16929X
37	69,70	55,30	63,50 $\pm$ 0,13	5,99	165X16939X

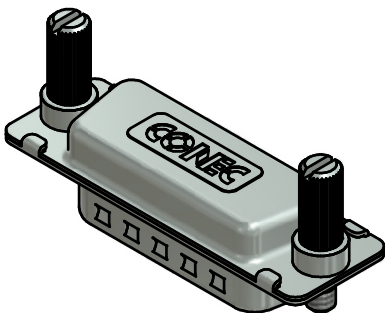
(5:1)



NOTES:

1. METALSHELLS: COPPER ALLOY; min. 315µin TIN over 40-80µin NICKEL
2. INSULATOR: TPE
3. THREADED INSERTS: BRASS
4. SCREW: STEEL; NICKEL PLATED

5. CONNECTOR IS PART MARKED: PART NO. CONEC ABC



Directive 2002/95/EC RoHS compliant

THIS DRAWING MAY NOT BE COPIED OR REPRODUCED IN ANY WAY, AND MAY NOT BE PASSED ON TO A THIRD PARTY WITHOUT WRITTEN PERMISSION. OWNERSHIP AND COPYRIGHT OF CONEC GmbH DO NOT ALTER CAD DRAWING BY HAND				tolerance		dim. in mm	scale: 2:1 (5:1)	
				date			material: SEE NOTES	
				drawn	05.10.05	Lehmenkühler	title: HOOD 9-37pos. (b) WATER RESISTANT AND SHIELDED; FOR EMI/RFI for socket connector, with jack screws	
				appd.	05.10.05	Mickenbecker		
				norm				
				d-old			dwg no:	
3 x b	Ä4840	30.07.2013	K.H.	<b>CONEC</b> ®		16K1A1514		DIN-A3
a	Original					part no: SEE TABLE		sh: 1
rev.	description	date	name					