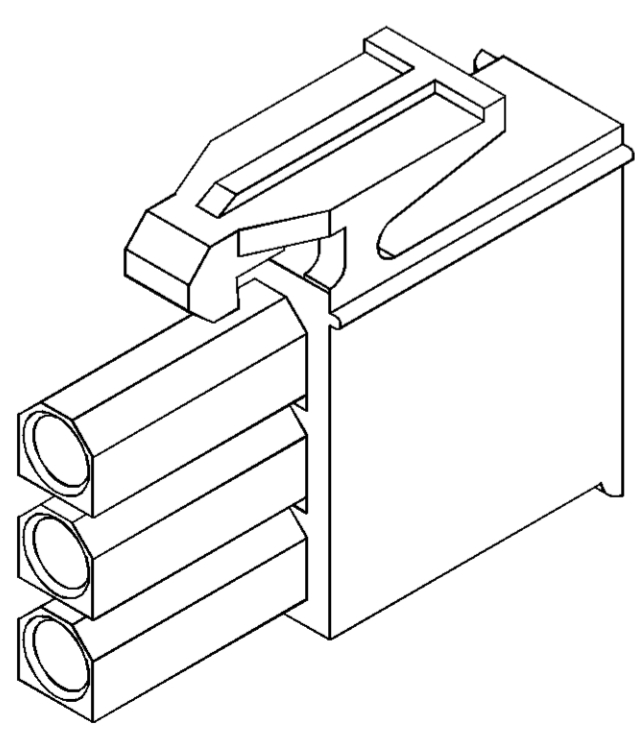
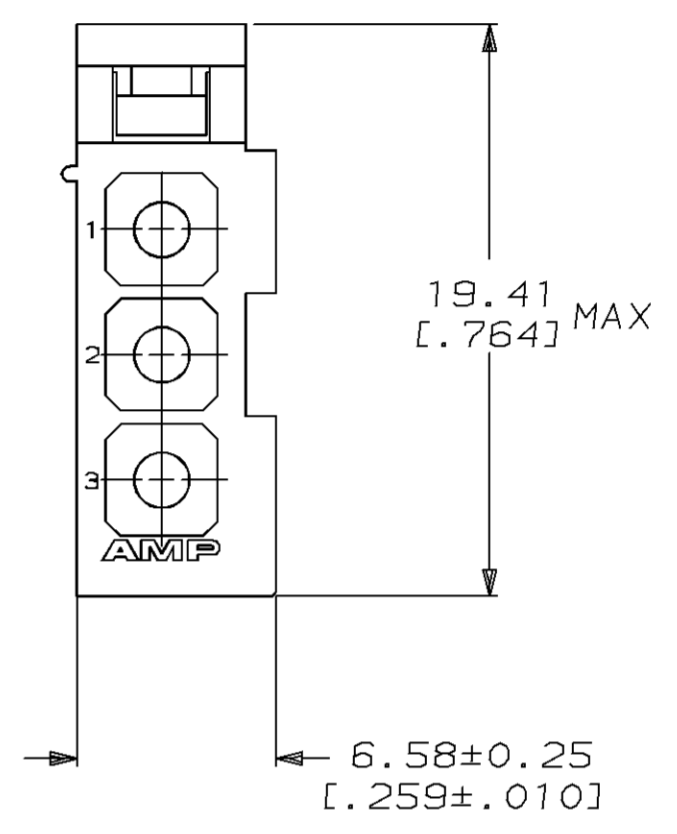
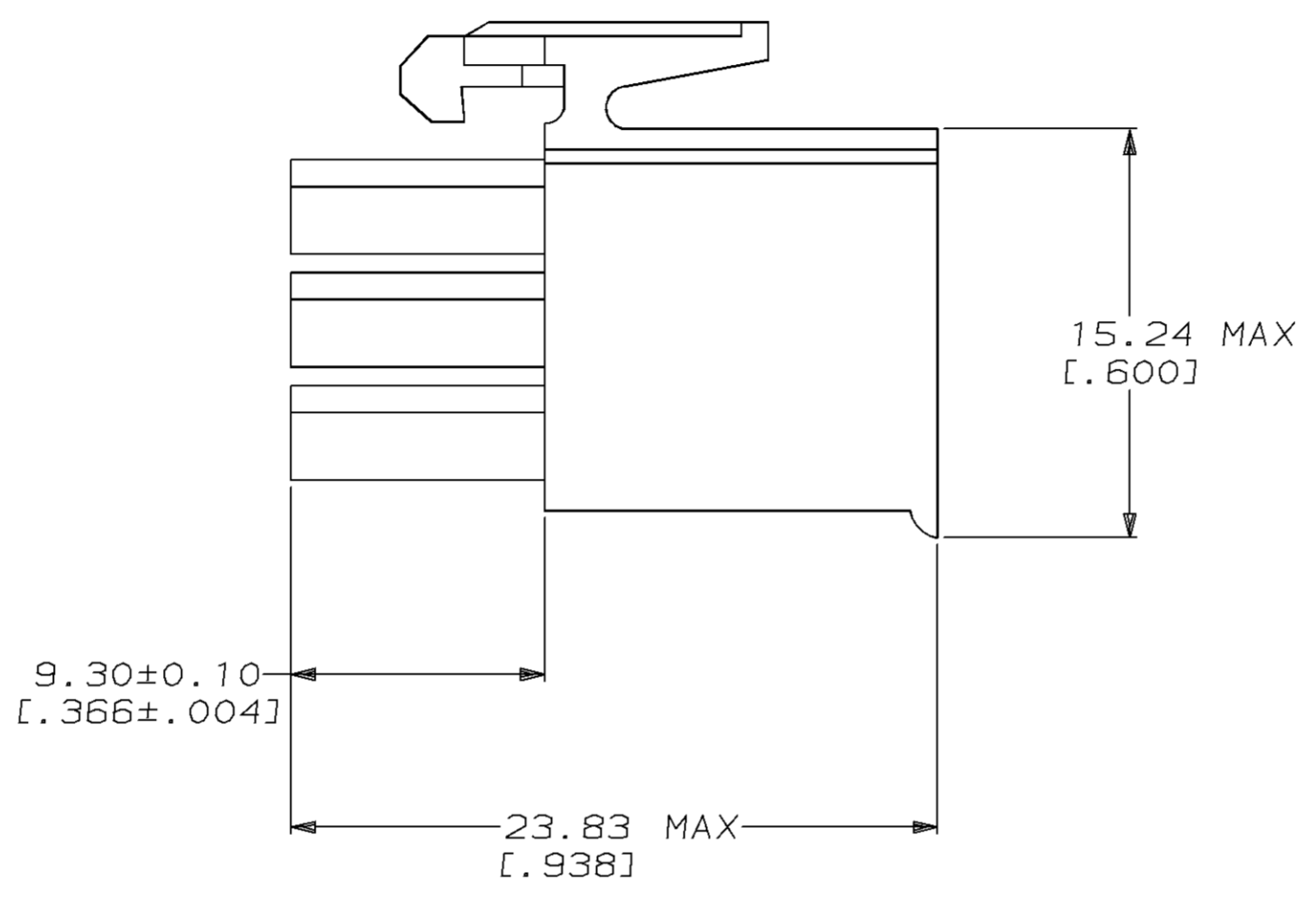
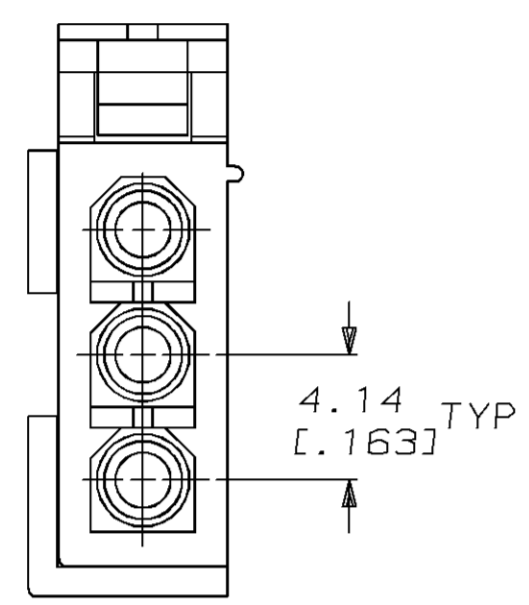


LOC	DIST	P	F	ZONE	LTR	DESCRIPTION	DATE	APPD
CM	53				B	REV PER EC 0730-0105-95	5-18-95	RV RS

1. DIMENSIONS IN BRACKETS ARE IN INCHES.



3-DIMENSIONAL MODEL  
NTS



DO NOT SCALE PRINT. UNLESS SPECIFIED DIMENSIONS IN mm [INCHES] TOLERANCES ON : 2 PLC DEC ± - 3 PLC DEC ± 0.13 [0.005] ANGLES ± -		DR 5-29-91 T. BECK	AMP INCORPORATED Harrisburg, Pa. 17105	
MATERIAL NYLON, UL 94V-0 WHITE	CHK 5-29-91 R. SWING	APPD 5-29-91 L. PURSER		
FINISH -	APPD 5-29-91 L. PURSER	PRODUCT SPEC -	NAME PLUG, 3 CIRCUIT, MINI UNIVERSAL MATE-N-LOK™	
APPLICATION SPEC -	WEIGHT -	SIZE C	CAGE CODE 00779	DRAWING NO 770847
		SCALE 4:1	SHEET 1 OF 1	

770847-1  
PART NO