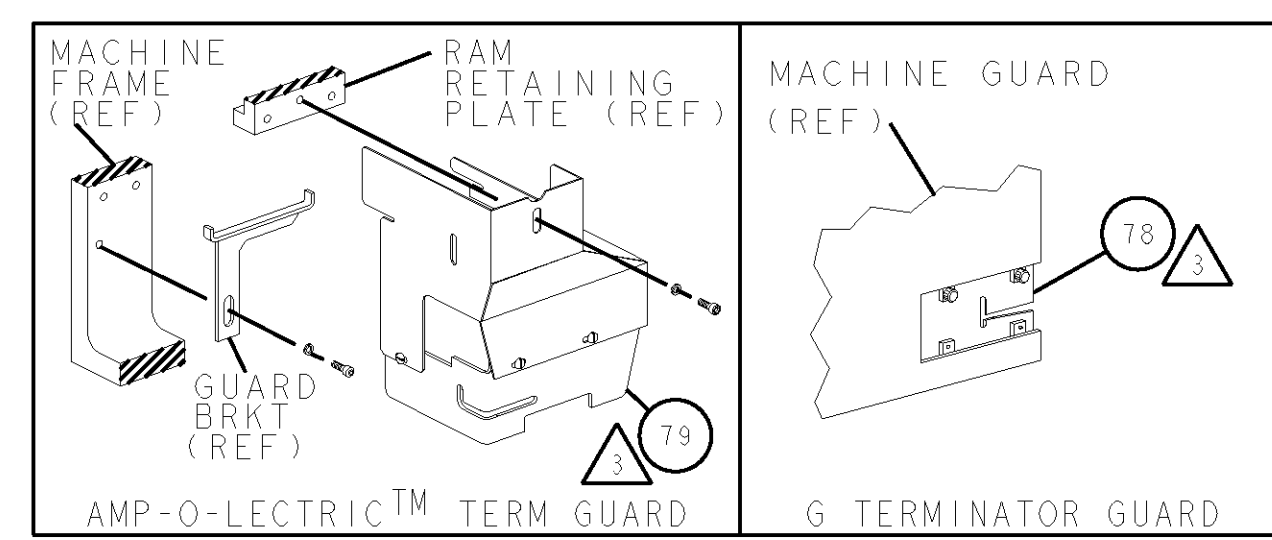
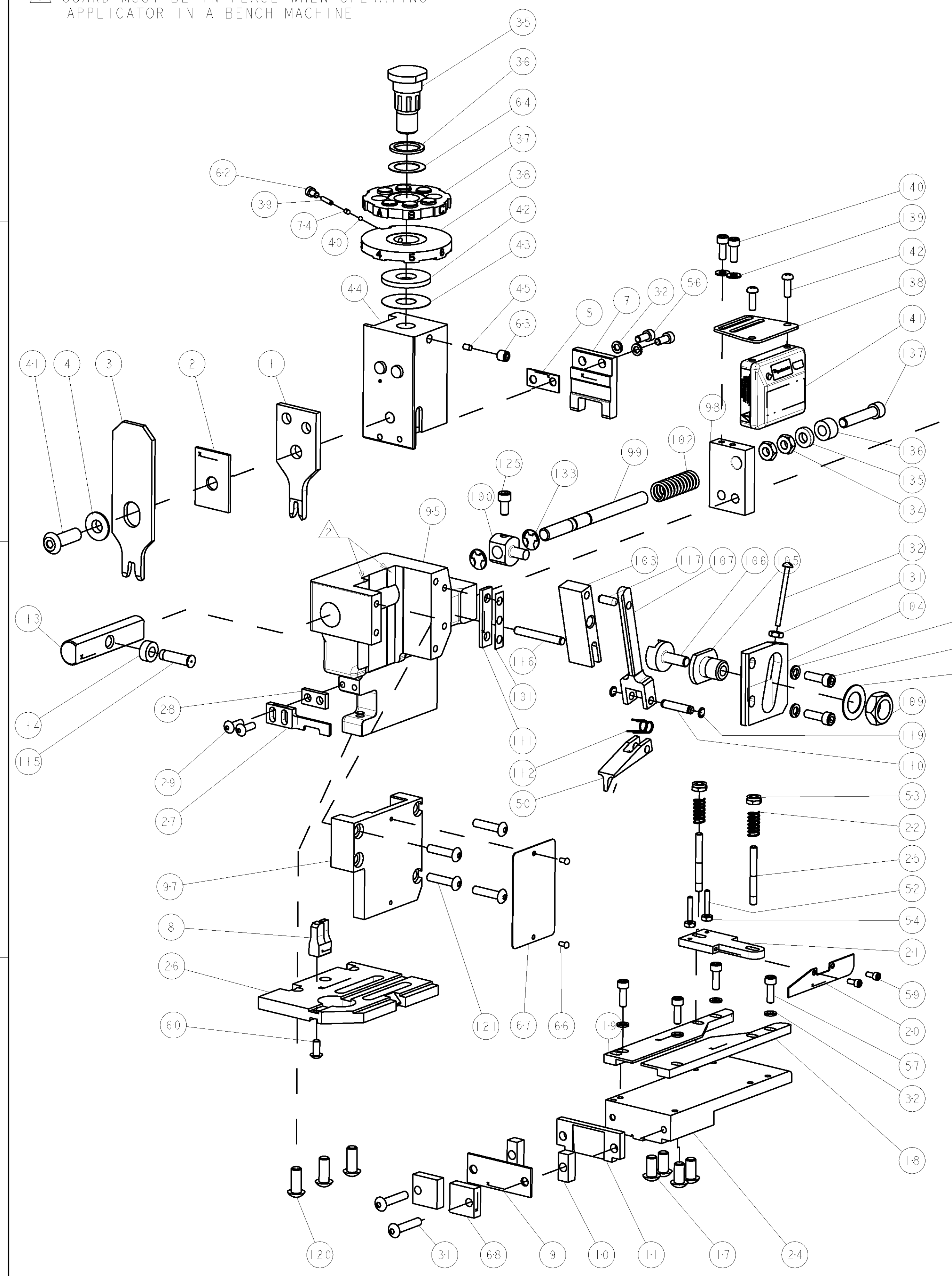
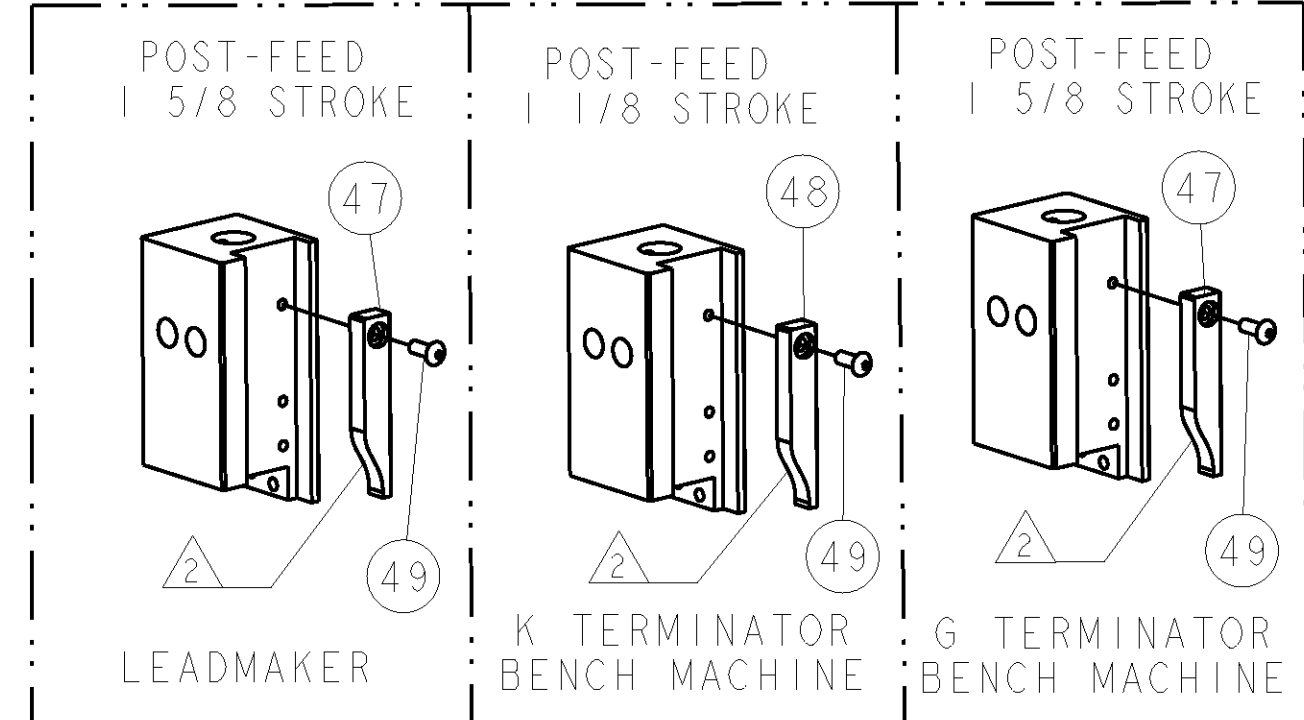


PART NUMBER		REV	FIRST USED	POWER UNIT	FEED TYPE
1852761-1		B	122500-1	LEADMAKER & BENCH MODEL G	POST FEED
1852761-2		B	565435-5	BENCH MODEL K	POST FEED
7-1852761-7		A	-	SPARE PARTS	-

- △ RECOMMENDED SPARE PARTS
- △ GREASE LIGHTLY
- △ GUARD MUST BE IN PLACE WHEN OPERATING APPLICATOR IN A BENCH MACHINE



TERMINAL NAME: RECETPALE, FASTON, FLAG - .250 SERIES					
TE PN	-	TE TERMINAL - TE CRIMP SPECS			
1742718	-				
		PAD LTR	CRIMP HEIGHT	WIRE SIZE	
-	-	A	2.25±0.05mm [.089±.002]	12AWG	
-	-	B	1.95±0.05mm [.077±.002]	14AWG	
-	-	C	1.77±0.05mm [.070±.002]	16AWG	
-	-	D	-	-	
		CRIMP	SIZE	TYPE	RANGE
-	-	WIRE	3.05mm [.120]	F	16-12 AWG
-	-	INSUL	5.08mm [.200]	F	∅3.00-.4.29
WIRE STRIP LENGTH	5.84-6.22	TERM APPL SPEC	114-2124	FEED	19.30
		APPL INSTRUCTIONS	408-8040	SET UP GAGE	



-	2	2	-	994991-5	SCREW, OVL HD, M4X12	142
-	1	1	-	1804300-1	ASSEMBLY, APPLICATOR COUNTER	141
-	2	2	-	9-21000-9	SCR, SKT HD CAP 8-32 X .438	140
-	2	2	-	18028-2	WASHER, FLAT, REG M4	139
-	1	1	-	1804303-1	BRACKET, COUNTER MOUNTING	138
-	1	1	-	3-21081-3	SHCS, 1/4-20 X 1.25	137
-	1	1	-	1804299-1	SPACER, MAGNET	136
-	1	1	-	1804310-1	MAGNET, RING	135
-	2	2	-	22593-1	NUT, HEX, JAM, SS	134
-	2	2	-	1-21046-6	RING, RETAIN, EXTERN, 5/16 E-RING	133
-	1	1	-	3-21016-2	SCREW, MACHINE, SLOTTED ROUND HEAD	132
-	1	1	-	21068-5	NUT, HEX, REG 6-32	131
-	2	2	-	3-21000-6	SCR, SKT HD CAP 10-32 X .625	130
-	2	2	-	9-354778-9	PIN, WIRE DISC, .2990	128
-	2	2	-	8-354778-5	PIN, WIRE DISC, .2920	127
-	2	2	-	5-354778-8	PIN, WIRE DISC, .2785	126
-	1	1	-	3-21000-4	SCR, SKT HD CAP 10-32 X .375	125
-	2	2	-	3-21000-7	SCR, SKT HD CAP 10-32 X .750	123
-	4	4	-	21024-5	WASHER, SPRG LOCK, REG NO 10	122
-	4	4	-	3-21002-0	SCR, BTN SKT HD CAP 10-32 X .875	121
-	3	3	-	2-22733-8	SCR, BHSC, SELF-LOCKING, 1/4-20 X .625	120
-	2	2	-	21045-3	RING, RETAIN, EXTERN, 3/16 CRESCENT	119
-	1	1	-	1-21030-1	PIN, DOWEL, 1.875 X .500	117
-	1	1	-	1-21030-7	PIN, DOWEL, 1.875 X 1.500	116
-	1	1	-	240659-3	PIN, CAM ROLLER	115
-	1	1	-	240658-1	ROLLER, CAM	114
-	1	1	-	454398-1	ROD, FEED	113
-	1	1	-	691499-1	SPRING-FEED FINGER	112
-	1	1	-	238305-5	SPACER, CAP	111
-77	-2	-1	U/M	PART NO	DESCRIPTION	ITEM NO

LOC	66	REV	DESCRIPTION	DATE	DWN	APPR
A			RELEASED	19NOV2008	MEH	TE
B			ECR-11-013421	28JUN2011	RS	SX

-	1	1	-	240624-1	PIN, FEED FINGER	110
-	1	1	-	22594-8	NUT, HEX, JAM	109
-	1	1	-	458109-1	WASHER, SPECIAL ADJUST PLATE	108
-	1	1	-	240634-4	LEVER, TERMINAL FEED	107
-	1	1	-	240626-1	SHAFT-PIVOT AMP-O-MATOR	106
-	1	1	-	240633-1	BUSHING	105
-	1	1	-	240628-3	PLATE, ADJUSTING	104
-	1	1	-	455680-2	LEVER, INTERMEDIATE	103
-	1	1	-	4-22284-9	SPRING, FEED RETURN	102
-	1	1	-	690517-1	SPACER, ADJ PLATE	101
-	1	1	-	240629-1	BLOCK, PIVOT	100
-	1	1	-	1804311-1	SCREW, ADJUSTMENT	99
-	1	1	-	1804305-2	GUIDE, FEED ROD	98
-	1	1	-	458268-1	CAP, RAM	97
-	1	1	-	458267-1	HOUSING, APPLICATOR	95
-	REF	-	-	1-455750-1	GUARD WINDOW	79
-	-	REF	-	679532-1	INSERT, GUARD	78
-	1	1	-	465184-9	LUBRICATOR ASSY	77
-	1	1	-	690603-1	SPRING ASSIST AMP-O-MATOR APPLICATOR	74
-	1	1	-	217238-1	GENERAL INSTRUCTION PKG	72
-	1	1	-	4088039	EF APPL INST 408-8039	71
-	2	2	-	1633372-3	BLOCK, SUPPORT	68
-	1	1	-	461264-1	PLATE, IDENTIFICATION	67
-	2	2	-	21017-2	SCREW, DRIVE	66
-	1	1	-	986950-1	WASHER, FLAT PRECISION	64
-	1	1	-	21009-2	SCR, SET, SELF LOCKING 1/4-20 X .250	63
-	1	1	-	23030-1	SCR, SKT HD CAP 6-32 X .25	62
-	1	1	-	22733-8	SCR, BHSC, SELF-LOCKING, 8-32 X .375	60
-	2	2	-	1-21000-3	SCR, SKT HD CAP 4-40 X .250	59
-	4	4	-	2-21000-7	SCR, SKT HD CAP 8-32 X .500	57
-	2	2	-	2-21000-6	SCR, SKT HD CAP 8-32 X .375	56
-	2	2	-	21018-4	NUT, HEX, REG 4-40	54
-	2	2	-	21022-2	NUT, LOCK, HEX, TORQUE, 8-32	53
-	2	2	-	2-21006-6	SCR, SET, CUP POINT 4-40 X .625	52
-	1	1	-	694921-5	FEED-FINGER MOD	50
-	1	1	-	1-21002-7	SCR, BTN SKT HD CAP 6-32 X .375	49
-	1	1	-	690501-3	CAM, POST FEED, 1 1/8	48
-	-	-	-	690501-4	CAM, POST-FEED 1 5/8	47
-	1	1	-	690191-1	PLUG, NYLON	45
-	1	1	-	458266-2	RAM, DUAL	44
-	1	1	-	690125-1	SHIM SUB-ASSY	43
-	1	1	-	690124-1	WASHER, RAM (.115)	42
-	1	1	-	690686-2	CRIMPER, BOLT SPECIAL	41
-	1	1	-	23241-6	BALL, STEEL	40
-	1	1	-	690170-1	SPRING, COMPRESSION	39
-	1	1	-	690142-1	DISC, INSULATION	38
-	1	1	-	354777-1	WIRE DISC, ASSEMBLY	37
-	1	1	-	22480-5	SPRING, COMPRESSION	36
-	1	1	-	690212-1	POST, RAM	35
-	6	6	-	21024-4	WASHER, SPRG LOCK, REG NO 8	32
-	2	2	-	3-21002-1	SCR, BTN SKT HD CAP 10-32 X 1.00	31
-	2	2	-	2-21002-2	SCR, BTN SKT HD CAP 8-32 X .500	29
-	1	1	-	2-690451-4	SPACER, STRIPPER	28
-	1	1	-	468281-1	STRIPPER	27
-	1	1	-	463915-1	PLATE, BASE	26
-	2	2	-	22354-8	STUD, THREADED	25
-	1	1	-	463903-6	PLATE, STRIP GUIDE	24
-	2	2	-	2-22281-3	SPRING, COMPRESSION	22
-	1	1	-	1-464451-2	ARM, STOCK DRAG	21
-	1	1	-	1-464452-1	DRAG, STOCK	20
-	1	1	-	6-458030-8	STRIP GUIDE, REAR	19
-	1	1	-	7-458031-0	STRIP GUIDE, FRONT	18
-	4	4	-	3-21002-3	SCR, BTN SKT HD CAP 1/4-20 X .500	17
-	1	1	-	458255-2	PLATE, REAR SHEAR	11
-	2	2	-	3-240645-0	SPACER, SHEAR PLATE	10
-	1	1	-	455961-3	PLATE, FRONT SHEAR	9
-	1	1	-	2-1633248-5	ANVIL, COMBINATION	8
-	1	1	-	1-469634-4	BLADE, SLUG	7
-	1	1	-	1-238075-9	SPACER, SLUG BLADE	5
-	1	1	-	238009-1	BLOCK, FL CRIMPER SPACER	4
-	1	1	-	2-468282-1	CRIMPER, INSULATION	3
-	1	1	-	1-455888-5	SPACER, CRIMPER	2
-	1	1	-	852743-7	CRIMPER, WIRE PREMIUM	1

DIMENSIONS: INCHES		TOLERANCES UNLESS OTHERWISE SPECIFIED:		DWG: HERR 13OCT2008		CHK: G. BAILEY 13OCT2006		APPR: DEMING 13OCT2008		NAME: END FEED HDM APPLICATOR	
9 PLC ±.01 3 PLC ±.01 3 PLC ±.001 4 PLC ±.0001		.015 ±.001 .015 ±.001 .015 ±.001 .015 ±.001		DIM: HERR 13OCT2008 CHK: G. BAILEY 13OCT2006 APPR: DEMING 13OCT2008		PRODUCT SPEC: - APPLICATION SPEC: - MATERIAL: - FINISH: -		WEIGHT: - CUSTOMER DRAWING: -		SIZE: A1 CAGE CODE: 00779 DRAWING NO: C=1852761 SCALE: 3:5 SHEET: 1 OF 1 REV: B	

CUSTOMER VIEWABLE ASSEMBLY