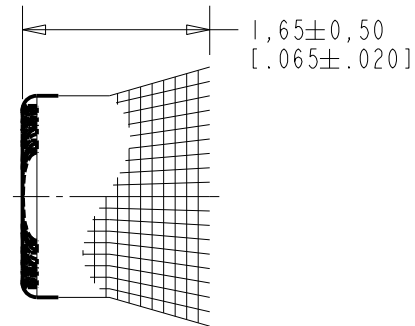
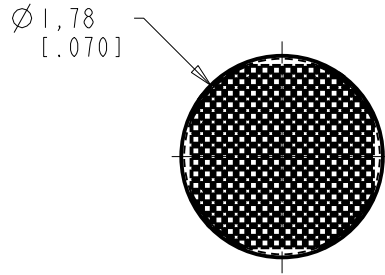


**BF-3035-000**  
SHT 1.1

(E) NOTE:

1. ACOUSTIC RESISTANCE IS MEASURED WITH ELEMENT INSERTED IN HOLE 1,80 [.071] DIA X 2,54 [.100] LONG.
2. ACOUSTICAL RESISTANCE TO BE  $1000 \pm 20\% \Omega$  COLOR BROWN.
3. ACOUSTIC DAMPING ELEMENTS ARE PACKED 100 PIECES PER BOX.



DIMENSIONS IN MILLIMETERS [INCHES]

Revision	C.O. #	Implementation Date	RELEASE LEVEL	REVISION
E	MI0105938	3-18-15	<b>Active</b>	<b>E</b>
D	MI0105061	5-9-13		
C	MI0100342	4-6-05		

**KNOWLES ELECTRONICS**  
ITASCA, ILLINOIS U.S.A.

SCALE: <b>15:1</b>		DR. BY	DATE
DO NOT SCALE DRAWING		GJP	3-9-84
		CK. BY	DATE
TITLE: <b>BF DAMPER</b>		KHW	3-10-87
		<b>BF-3035-000</b>	
OUTLINE DRAWING		APP. BY	DATE
		KHW	3-10-87
<b>SHT 1.1</b>			