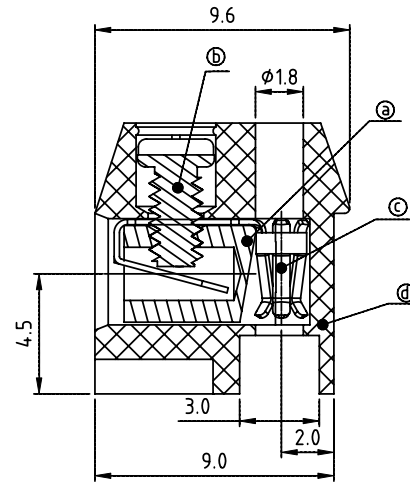
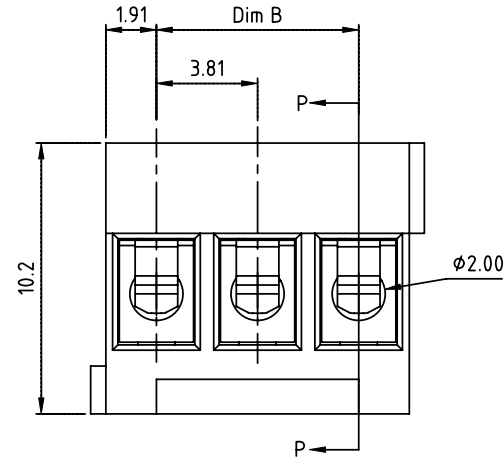
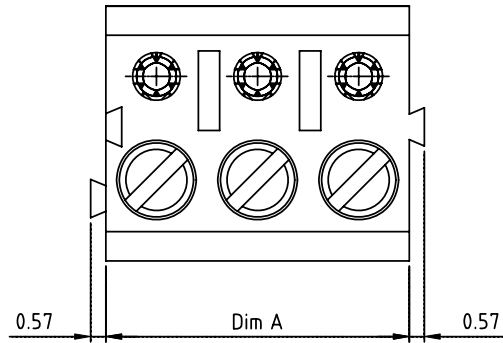


PRODUCT NUMBER	PITCH
THxx41x000JOG	3.81 mm



Section P-P

Material

- Item (A) Clamp: Brass (CuZn) Ni plated
- Item (B) Terminal screw: Steel Zinc plating "-" slot type
- Item (C) Female contact : PhBz (CuSn) Tin plated
- Item (D) Terminal housing : Thermoplastic (UL94V-0)

Electrical cULus

- Voltage rating: 300V
- Current rating: 10A
- Wire range:
 - Solid wire (AWG): 16-28
 - Stranded wire (AWG): 16-28
- Torque: 1.7Lb-In
- Screw: M2
- Wire strip length: 5-6mm
- Withstanding Voltage: 1.6KV
- Operating temperature: -40°C to +115°C
- Safety approval: cULus

PART NO.: TH xx 41 x 0 00J0 G

DIMENSION

Dim A	N×3.81
Dim B	(N-1)×3.81

N = Number of poles

Poles	Tolerance
2p-6p	±0.15
7p-12p	±0.25
13p-16p	±0.35
17p-24p	±0.40

End Stackable	0	Body Color	Black (RAL9005)	RoHS compliant	(lead<4%)
No. of poles	2		Red (RAL3001/D)	In copper Alloy	
	02		3 Orange (RAL2011/P)		
	03		4 Yellow (RAL1018/A)		
	...		5 Green (RAL6018/T)		
	24		6 Blue (RAL5015/A)		
			8 Grey (RAL7035/D)		
			9 White (RAL1102)		
			C Green (RAL6018/U)		

mat'l. code				surface	tolerance	projection	product family	
ASME Y14.5				ASME Y14.5	ASME Y14.5	 MM	TERMINAL BLOCK	
tolerances unless otherwise specified							title	
ltr	ecn	no	dr	date	angles	TERMINAL BLOCK		
					X±0.5	PLUGGABLE, 180D WIRE INLET, END STACKABLE		
					X.X±0.3	scale		
					X*±1*	X.XX±0.1		
			dr	EVIN ZHONG	041614		dwg no	
			enr	EVIN ZHONG	041614		sheet 1 of 1 size	
			chr	HANKE FENG	041614		THxx41x000JOG A4	
			appd	SHI JUN	041614		type	
sheet index		revision		A		CUSTOMER Drawing		
1		1						