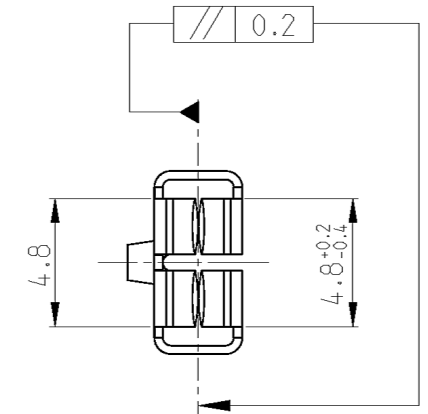
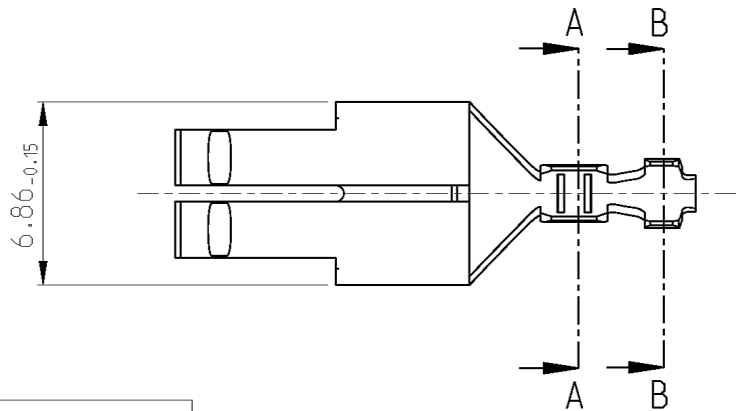
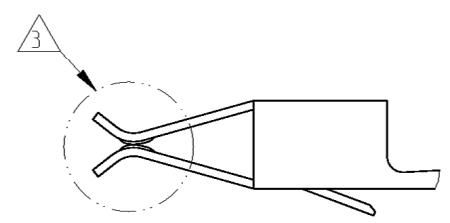
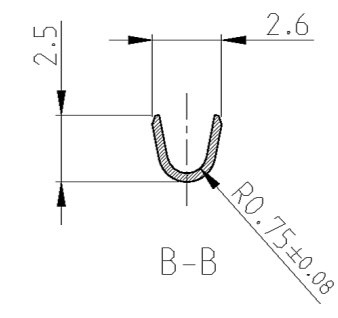
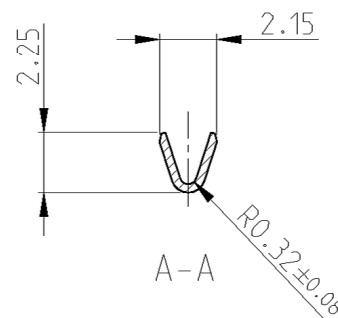
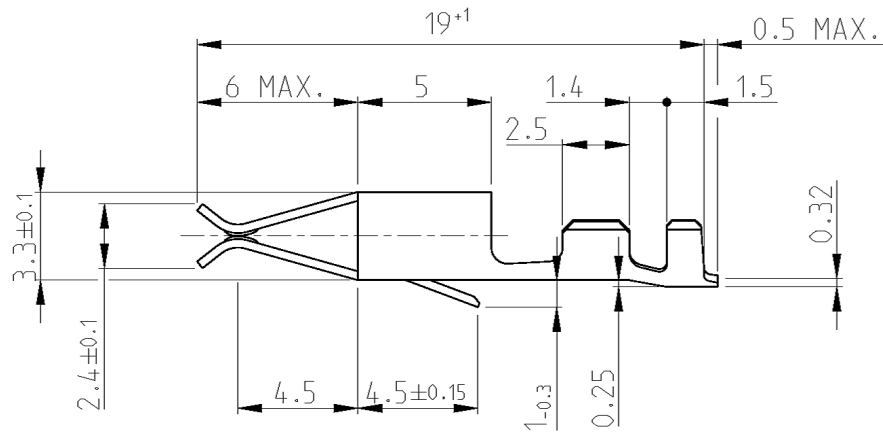


LOC	DIST	REVISIONS			
P	LTR	DESCRIPTION	DATE	DWN	APVD
AL	2	D1	SEE ECR 12-001772	30-Jan-12	JS RS



CROSS-SECTION IN mm ²	
SINGLE CONNECTION	
0.20	X
0.25	X
0.35	X
0.50	X

NOTES

- 1 WIRE RANGE 0.2 - 0.5 mm²
- 2 INSULATION RANGE Ø1.0 - 1.6
- 3 SELECTIVE LUBRICATED IN INDICATED AREA WITH ANTI-FREETING LUBRICANT

	TIN (vorverzinnt)	CuZn30	1-926984-1	D
926985-2	TIN (vorverzinnt)	CuSn4	926984-2	D
926985-1	TIN (vorverzinnt)	CuZn30	926984-1	D
LOOSE PIECE	FINISH	MATERIAL	PART NO.	REV.

THIS DRAWING IS A CONTROLLED DOCUMENT.		DWN JS 27-Jan-12	TE Connectivity	
DIMENSIONS: mm		CHK XP 27-Jan-12		
TOLERANCES UNLESS OTHERWISE SPECIFIED:		APVD RS 27-Jan-12	NAME STANDARD TIMER CONTACT	
		PRODUCT SPEC 108-18054 (DES. OBJ.)		RESTRICTED TO -
MATERIAL - FINISH -		APPLICATION SPEC 114-18080		
		WEIGHT -	SIZE A3	CAGE CODE 00779
		CUSTOMER DRAWING	DRAWING NO. C=926984	
		SCALE 5:1	SHEET 1 OF 1	REV D1