



User Manual – AS5510 Demo Kit

**AS5510**

**10-bit Linear Incremental Position  
Sensor with Digital Angle output**

## Table of Contents

1. General Description .....	2
2. Board Description .....	2
3. Operating the Demoboard .....	3
4. Hardware Indicators and Connectors .....	3
5. Demo board block diagram, schematics and layout .....	6
6. Ordering Information.....	8
Copyright.....	9
Disclaimer .....	9

## 1. General Description

The AS5510 is a linear Hall sensor with 10 bit resolution and I<sup>2</sup>C interface. It can measure absolute position of lateral movement of a simple 2-pole magnet.

Depending on the magnet size, a lateral stroke of 0.5~2mm can be measured with air gaps around 1.0mm. To conserve power, the AS5510 may be switched to a power down state when it is not used.

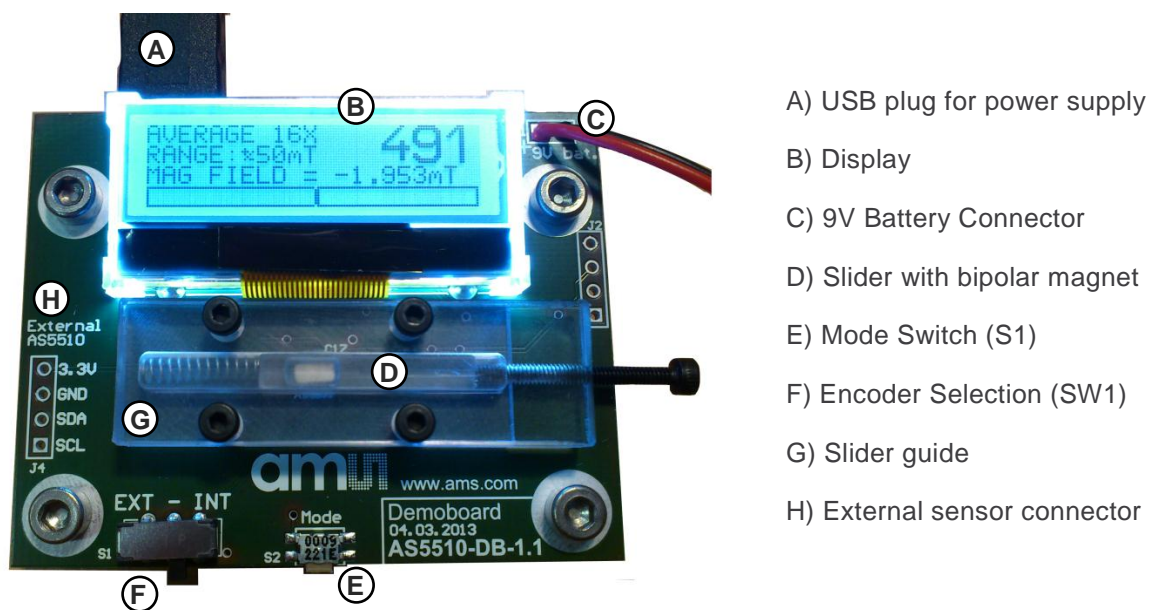
It is available in a WLCSP package and qualified for an ambient temperature range from -30°C to +85°C.

## 2. Board Description

The AS5510 demoboard is a complete linear encoder system with built-in microcontroller, USB interface, graphical LCD display, incremental indicators, incremental counter serial communication and PWM output LED.

The board is USB powered or externally supplied with a 9V battery for standalone operation.

Figure 1:  
AS5510-DK Demo Kit



### 3. Operating the Demoboard

The AS5510 demoboard can be powered in several ways:

- Supplied by a 9V battery
  - Connect a 9V battery to the battery connector on the top right side of the board.
  - No other connection is required.
- Supplied by the USB port
  - Connect the demoboard to a PC using a USB/USB cable (included in demoboard shipment). The board is supplied by the 5V supply of the USB port. No other connection is required.

Turn the screw on the right side to move precisely the magnet left and right.

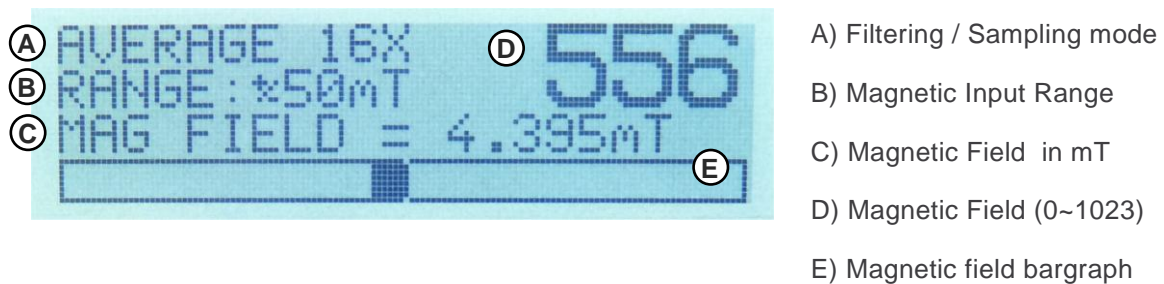
### 4. Hardware Indicators and Connectors

#### Display Description

The LCD display shows the realtime absolute magnetic field strength measured by the AS5510:

Moving the slider from right to left will increase the absolute value until 4095 (1999 $\mu$ m) with 0.488 $\mu$ m steps, then returns to zero.

Figure 2:  
AS5510-DK Display in standalone mode



A) Filtering / Sampling mode

B) Magnetic Input Range

C) Magnetic Field in mT

D) Magnetic Field (0~1023)

E) Magnetic field bargraph

### Mode Switch S1

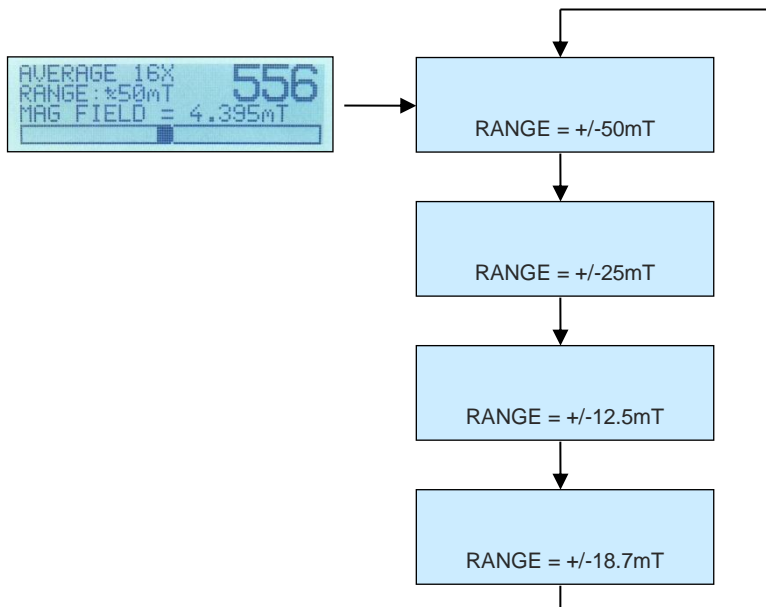
The Mode Switch S1 allows changing the parameters of the AS5510 and of the demoboard itself. Depending on how long you keep S1 pressed, you will enter the **Quick menu** or the **Configuration menu**.

### Quick Menu

The Quick Menu changes the sensitivity setting of the AS5510.

From the main screen, press **S1 shortly** (<1s).

Figure 3:  
AS5510-DK Display Quick Menu



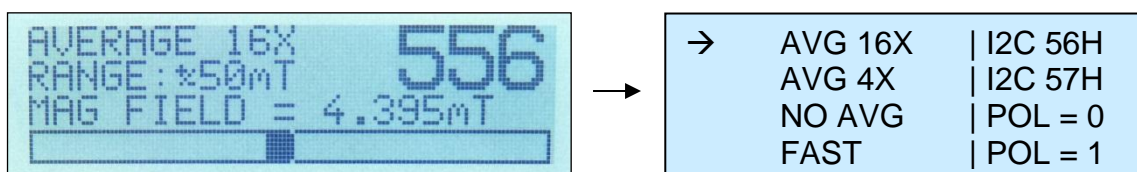
The current Range and sensitivity setting will appear. At that moment, press S1 shortly again to toggle the 4 sensitivity settings of the AS5510.

When the desired sensitivity is chosen, wait 2 seconds, and the demoboard will display the main screen back with the new sensitivity setting.

Adjust the sensitivity depending on the peak of the magnetic field present on the AS5510.

The optimum sensitivity using the 4x2x1 magnet on this demoboard is +/-25mT.

Figure 4:  
AS5510-DK Configuration menu



From the main screen, **press and hold S1 during 2 seconds**.

The configuration menu will appear.

By pressing S1 shortly, the next item is chosen.

To validate the pointed item, press and hold S1 during 2 seconds.

- **AVG 16X**  
Does an average of 16 consecutive values of the 10-bit output. This is used to reduce the jitter of the magnetic field value. The AS5510 is configured in Slow Mode (12.5kHz ADC sampling frequency).
- **AVG 4X**  
Does an average of 4 consecutive values of the 10-bit output. This is used to reduce the jitter of the magnetic field value. The AS5510 is configured in Slow Mode (12.5kHz ADC sampling frequency).
- **No AVG**  
Direct read of the 10-bit output. The AS5510 is configured in Slow Mode (12.5kHz ADC sampling frequency).
- **FAST**  
Direct read of the 10-bit output. The AS5510 is configured in Fast Mode (50kHz ADC sampling frequency).
- **I2C 56H**  
The demoboard communicates with the I<sup>2</sup>C address 56h. This is the default address. The on-board AS5510 must be used with this address only.
- **I2C 57H**  
The demoboard communicates with the I<sup>2</sup>C address 57h. This address can be used for an external AS5510 connected on J4, and S1 configured on EXT. This address
- **POL = 0**  
Selects the default magnet polarity
- **POL = 1**  
Selects the inverted magnet polarity

### Encoder Selection Switch

The switch SW1 selects the encoder which communicates with the microcontroller through the I<sup>2</sup>C bus.

- |                                    |                                  |
|------------------------------------|----------------------------------|
| 1. INT (Bottom position, default): | Onboard AS5510                   |
| 2. EXT (Top Position):             | External AS5510 connected on J4. |

The signals of the I<sup>2</sup>C interface (SCL, SDA) and the power supply (3.3V, GND) of an external AS5510 can be connected directly to J4. In this configuration, all the data from the external AS5510 are displayed on the LCD display.

## 5. Demo board block diagram, schematics and layout

Figure 5:  
AS5510-DK Demo board block diagramm

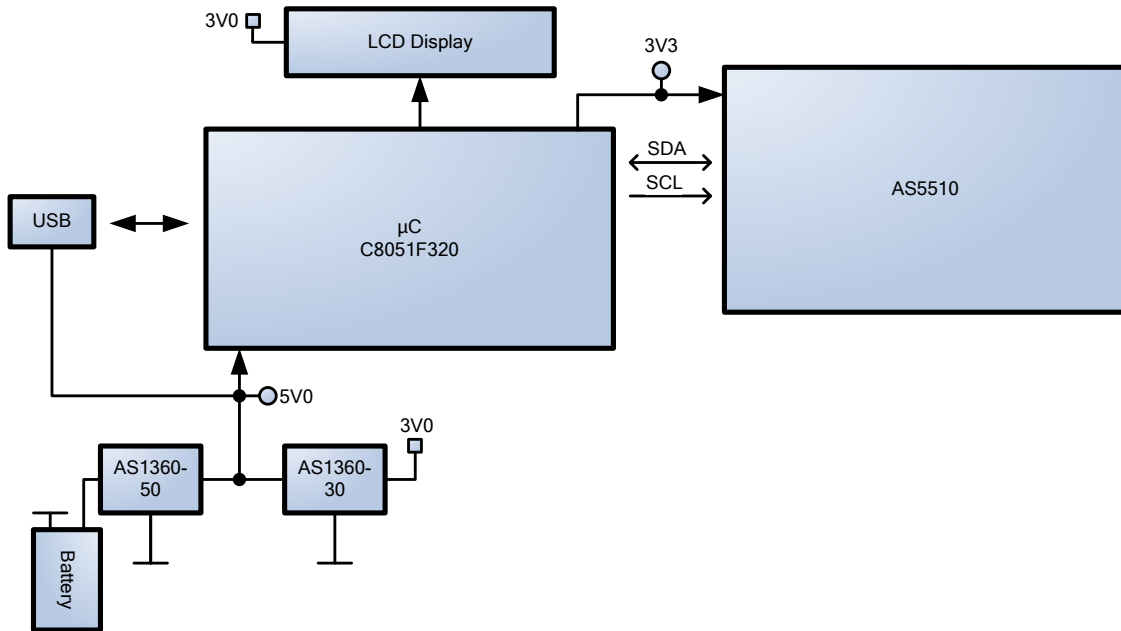


Figure 6:  
AS5510-DK Demo board schematic

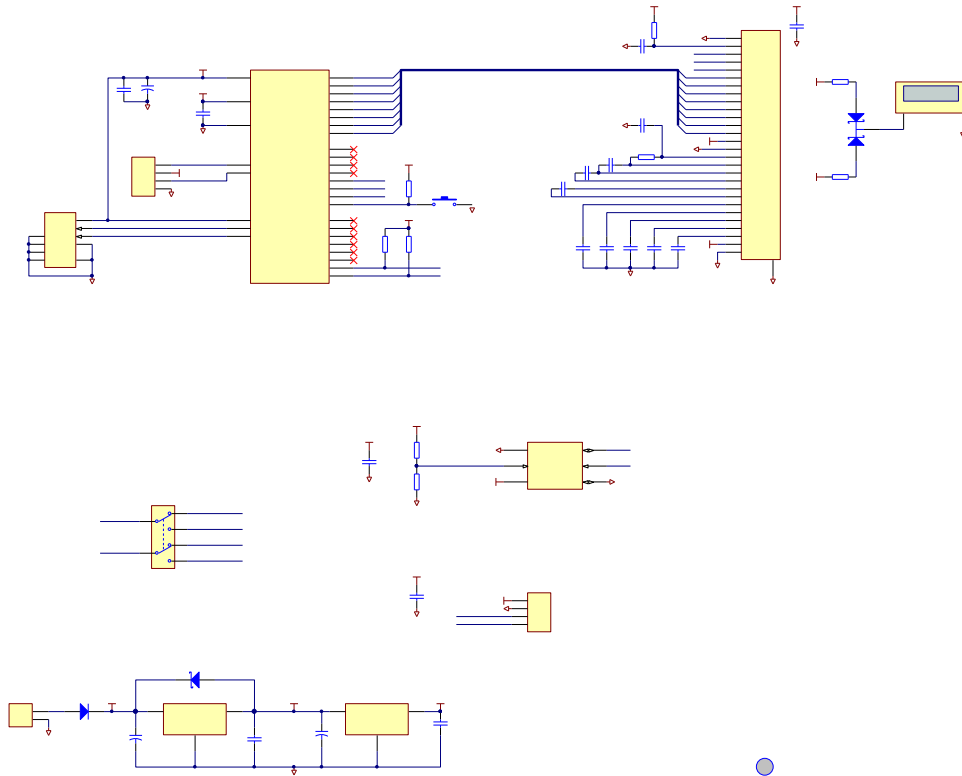
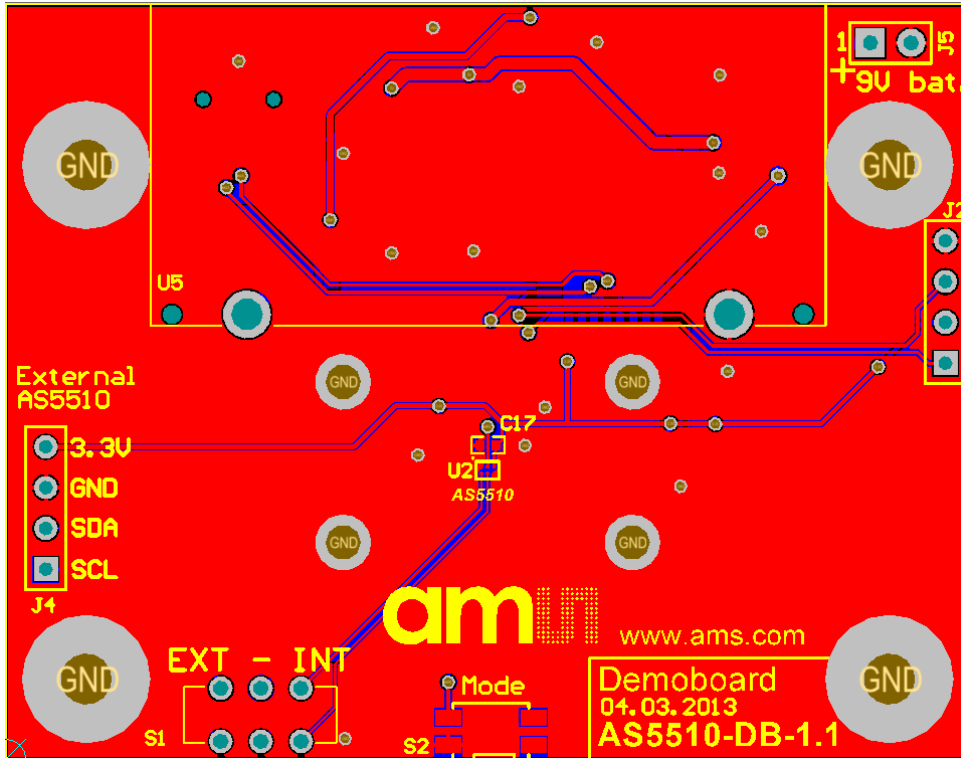


Figure 7:  
AS5510-DK Demo board PCB layout





## 6. Ordering Information

Table 1:  
Ordering Information

Ordering Code	Description	comments
AS5510-DB	DemoKit for AS5510 Linear Position Sensor	

## Copyright

Copyright © 1997-2013, ams AG, Tobelbader Strasse 30, 8141 Unterpremstaetten, Austria-Europe. Trademarks Registered ®. All rights reserved. The material herein may not be reproduced, adapted, merged, translated, stored, or used without the prior written consent of the copyright owner.

All products and companies mentioned are trademarks or registered trademarks of their respective companies.

## Disclaimer

Devices sold by ams AG are covered by the warranty and patent indemnification provisions appearing in its Term of Sale. ams AG makes no warranty, express, statutory, implied, or by description regarding the information set forth herein or regarding the freedom of the described devices from patent infringement. ams AG reserves the right to change specifications and prices at any time and without notice. Therefore, prior to designing this product into a system, it is necessary to check with ams AG for current information.

This product is intended for use in normal commercial applications. Applications requiring extended temperature range, unusual environmental requirements, or high reliability applications, such as military, medical life-support or lifesustaining equipment are specifically not recommended without additional processing by ams AG for each application. For shipments of less than 100 parts the manufacturing flow might show deviations from the standard production flow, such as test flow or test location.

The information furnished here by ams AG is believed to be correct and accurate. However, ams AG shall not be liable to recipient or any third party for any damages, including but not limited to personal injury, property damage, loss of profits, loss of use, interruption of business or indirect, special, incidental or consequential damages, of any kind, in connection with or arising out of the furnishing, performance or use of the technical data herein. No obligation or liability to recipient or any third party shall arise or flow out of ams AG rendering of technical or other services.

## Contact Information

### Headquarters

ams AG  
Tobelbader Strasse 30  
8141 Unterpremstaetten  
Austria  
T. +43 (0) 3136 500 0  
For Sales Offices, Distributors and Representatives, please visit:  
<http://www.ams.com/contact>