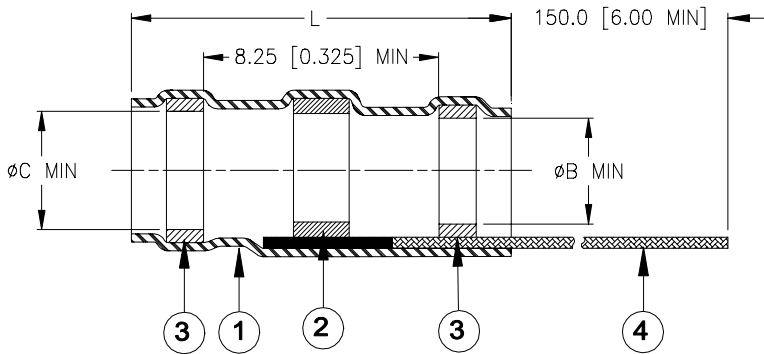


CUSTOMER DRAWING



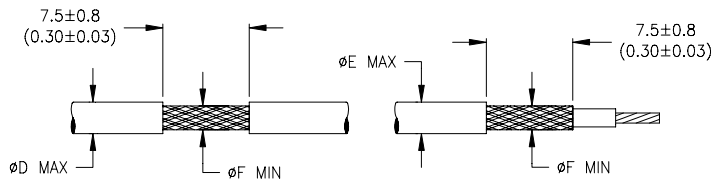
Product Name	Ident. Code	Product Dimensions			Cable Dimensions		
		$L \pm 1.75$ ($L \pm 0.070$)	ϕB min	ϕC min	ϕD max	ϕE max	ϕF min
S200-1-02-TC	S2001R	16.50 (0.650)	1.90 (0.075)	2.67 (0.105)	1.90 (0.075)	2.67 (0.105)	0.90 (0.035)

MATERIALS

- INSULATION SLEEVE: Heat-shrinkable, transparent blue, radiation cross-linked modified fluoropolymer.
- SOLDER PREFORM WITH FLUX AND THERMAL INDICATOR:
 SOLDER: TYPE Sn96 per ANSI / J-STD-006.
 FLUX: TYPE ROM1 per ANSI / J-STD-004.
 THERMAL INDICATOR: Color changes from orange to colorless.
- MELTABLE SEALING RINGS: Environment resistant modified thermoplastic fluoroelastomer. Color: light blue.
- PRE-INSTALLED BRAID: Nickel-plated copper strands per ASTM B355, Class 4. CMA = 800.

APPLICATION

- These parts are designed to provide an environment protected shield termination on cables, rated for 150°C minimum, meeting the dimensional criteria listed, having silver or nickel-plated shields.
- Install using Tyco Electronics approved convection or infrared heating tools in accordance with Tyco Electronics process standard RCPS-100-71. When installed with approved convection or infrared heating tools, assemblies will meet the performance requirements of SAE-AS83519. Infrared tools are not recommended for use with black cable jackets.
- Parts shall be marked with identification code per table.
- Temperature range: -65°C to +200°C.
- For best results, prepare the cable as shown:



		Tyco Electronics 300 Constitution Dr Menlo Park, CA 94025, U.S.A.		TITLE: SOLDERSLEEVE SHIELD TERMINATOR WITH PRE-INSTALLED BRAID, 200 DEG C, RoHS COMPLIANT, THERMOCHROMIC		
Unless otherwise specified dimensions are in millimeters. [Inches dimensions are shown in brackets]		Raychem Devices		DOCUMENT NO.: S200-1-02-TC		
TOLERANCES: 0.00 N/A 0.0 N/A 0 N/A	ANGLES: N/A ROUGHNESS IN MICRON	Tyco Electronics reserves the right to amend this drawing at any time. Users should evaluate the suitability of the product for their application.		REV: A	DATE: December 11, 2008	
DRAWN BY: YUNGUYEN	CAGE CODE: 06090	REPLACES: NA	ECO NUMBER: 08-030776	SCALE: NTS	SIZE: A	SHEET: 1 of 1

© 2008 Tyco Electronics Corporation. All rights reserved.

If this document is printed it becomes uncontrolled. Check for the latest revision.