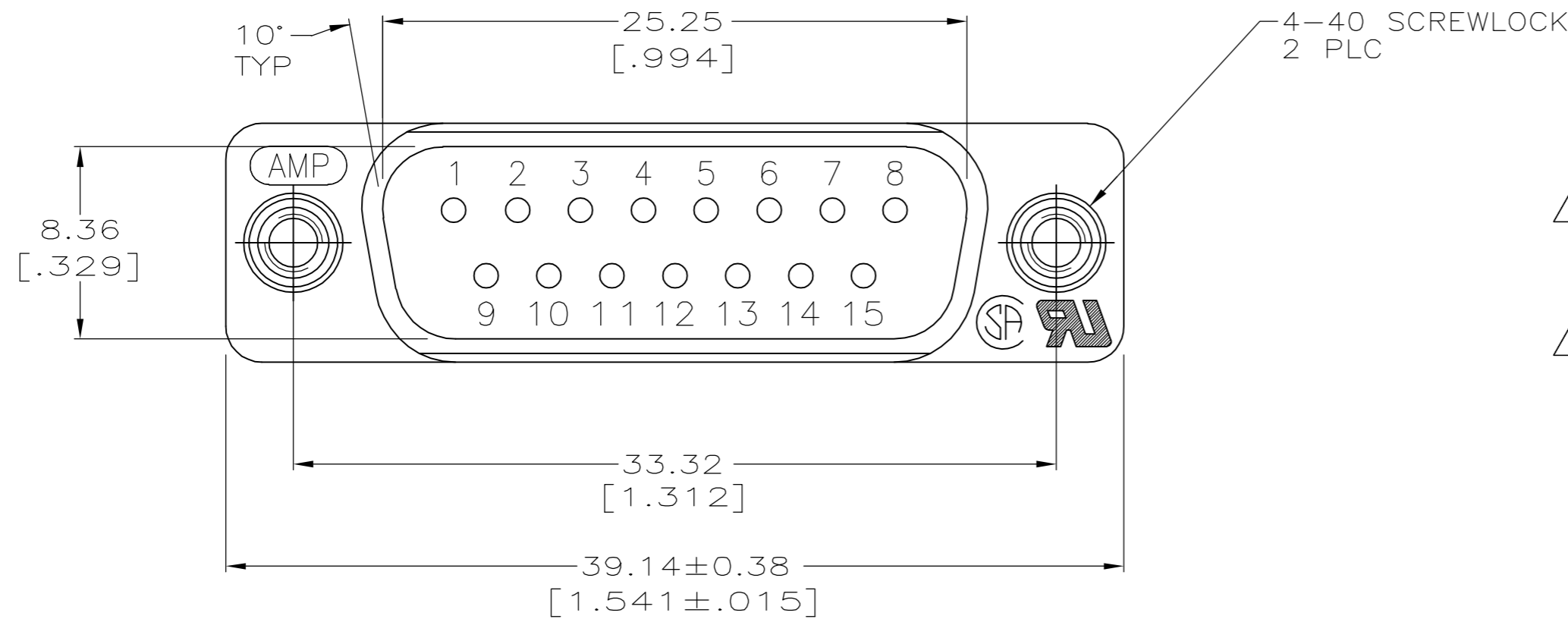
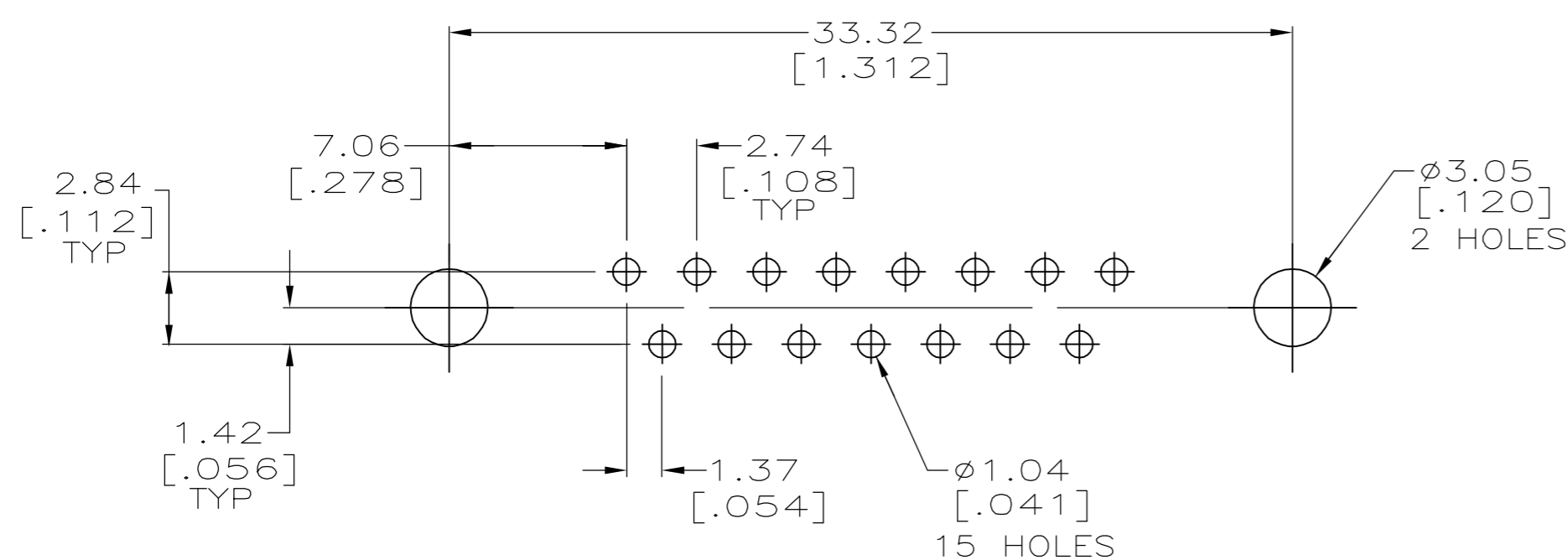
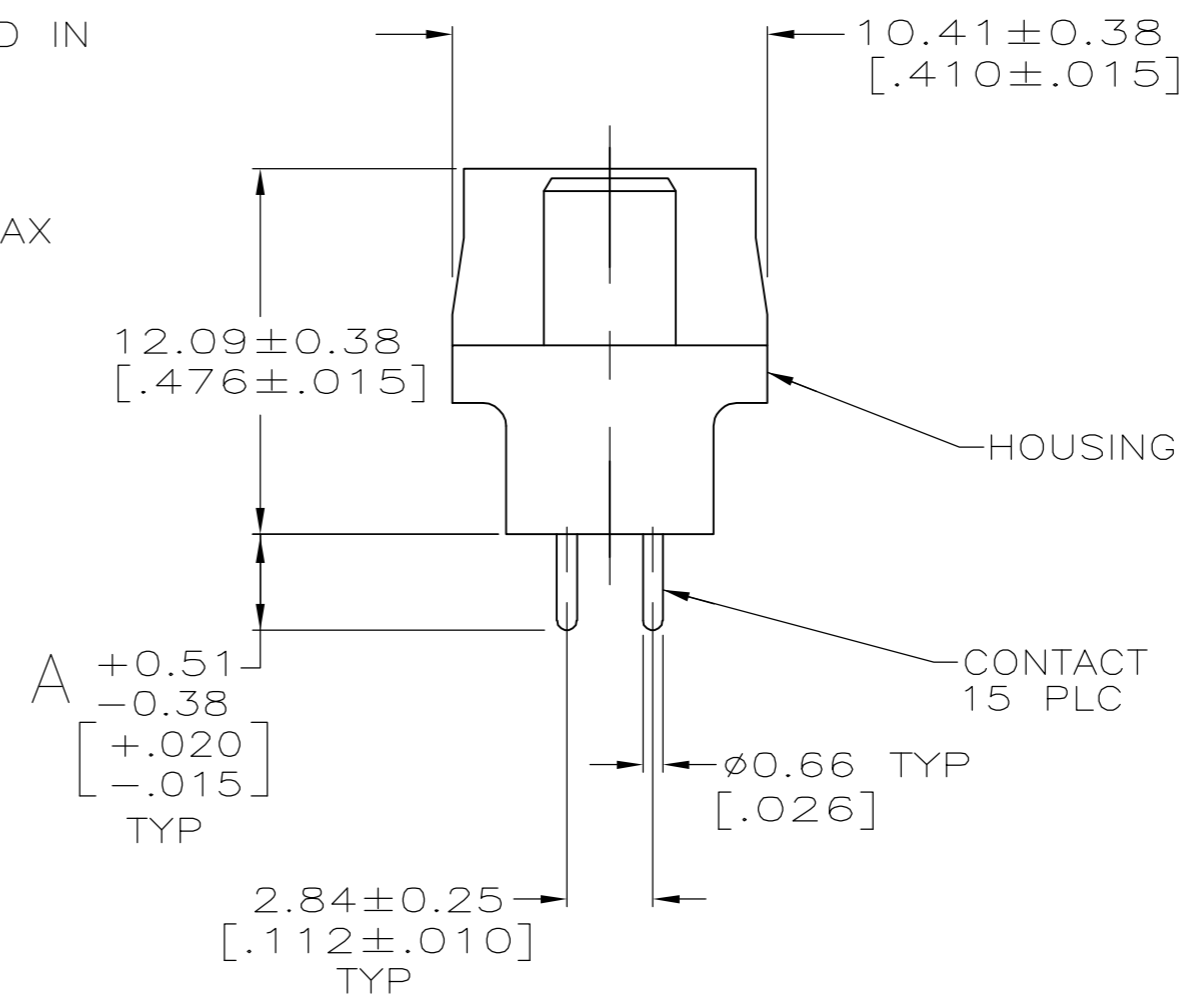
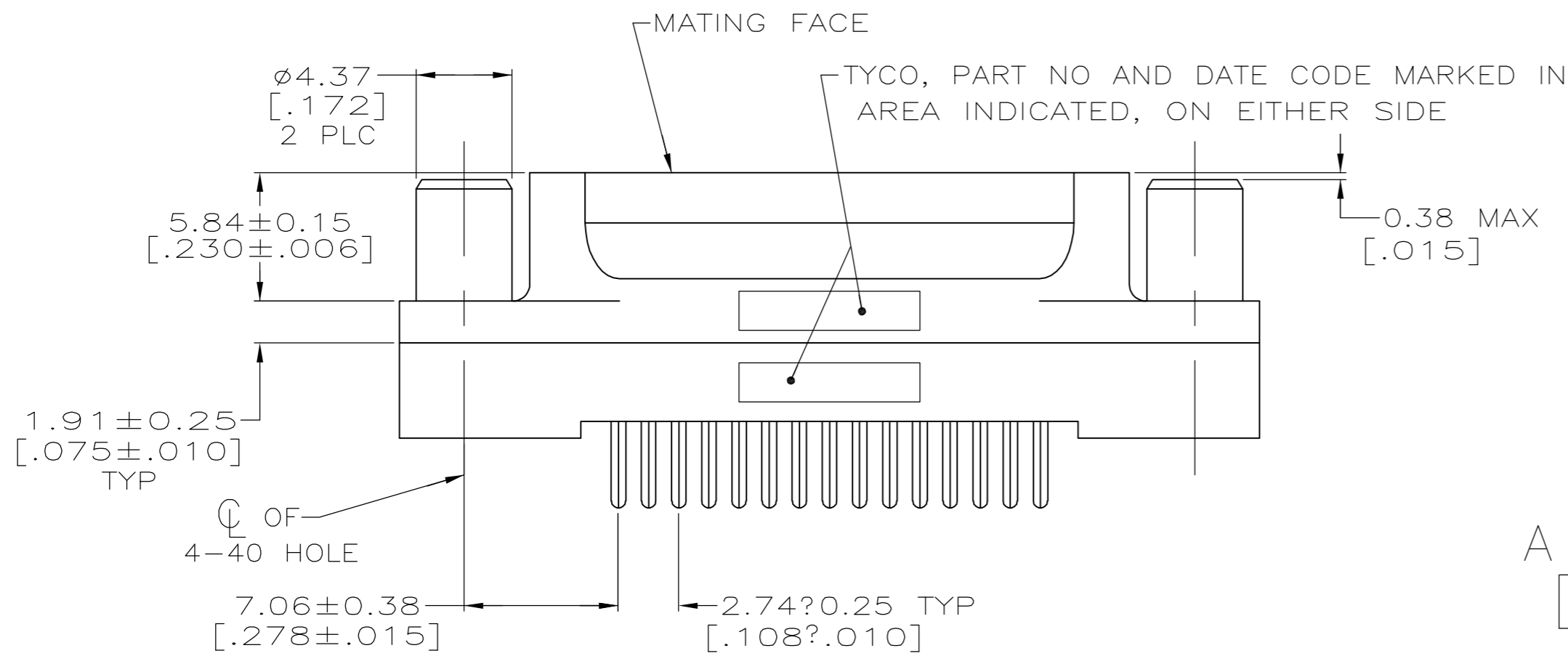


THIS DRAWING IS UNPUBLISHED. RELEASED FOR PUBLICATION  
 © COPYRIGHT BY TYCO ELECTRONICS CORPORATION. ALL RIGHTS RESERVED.

LOC	DIST	REVISIONS			
P	LTR	DESCRIPTION	DATE	DWN	APVD
GP	00				
	A	REVISED PER ECO-06-028339	18/DEC/06	ZMR	EDB



- ① HOUSING: BLACK POLYESTER, UL 94V-0 RATED.  
CONTACTS: BRASS.  
SCREWLOCKS: BRASS.
- ② CONTACTS: GOLD PLATED FOR A LENGTH OF 3.81 [0.150] MIN FROM MATING END, 0.76µm [0.00030] MIN GOLD IN MATED AREA, 2.54µm [0.000100] MIN TIN ON OPPOSITE END, ALL OVER 1.27µm [0.000050] MIN NICKEL  
-OR-  
GOLD FLASH OVER PALLADIUM NICKEL PLATED FOR LENGTH OF 3.81 [0.150] MIN FROM MATING END, 0.76µm [0.00030] MIN PALLADIUM NICKEL IN MATED AREA, 2.54µm [0.000100] MIN TIN ON OPPOSITE END, ALL OVER 1.27µm [0.000050] MIN NICKEL.  
SCREWLOCKS: 1.27µm [0.000050] MIN NICKEL OVER COPPER FLASH.



RECOMMENDED PC BOARD MOUNTING DIMENSIONS

**COPYRIGHT 2005  
TYCO ELECTRONICS CORP  
ALL RIGHTS RESERVED**

4.32 [0.170]	5745072-4
3.18 [0.125]	5745072-2
A	PART NO

THIS DRAWING IS A CONTROLLED DOCUMENT.		DWN	13SEP05	 Tyco Electronics Corporation Harrisburg, PA 17105-3608
DIMENSIONS: mm [INCHES]		CHK	13SEP05	
TOLERANCES UNLESS OTHERWISE SPECIFIED:		APVD	13SEP05	
0 PLC ± - 1 PLC ± - 2 PLC ± 0.13 [0.005] 3 PLC ± - 4 PLC ± - ANGLES ± 2°		PRODUCT SPEC	108-40025	
MATERIAL		APPLICATION SPEC		NAME
①		②		SIZE
CUSTOMER DRAWING		WEIGHT		CAGE CODE
		-		A2 00779
		SCALE		DRAWING NO
		4:1		C=5745072
		SHEET		RESTRICTED TO
		1 of 1		-
		REV		A