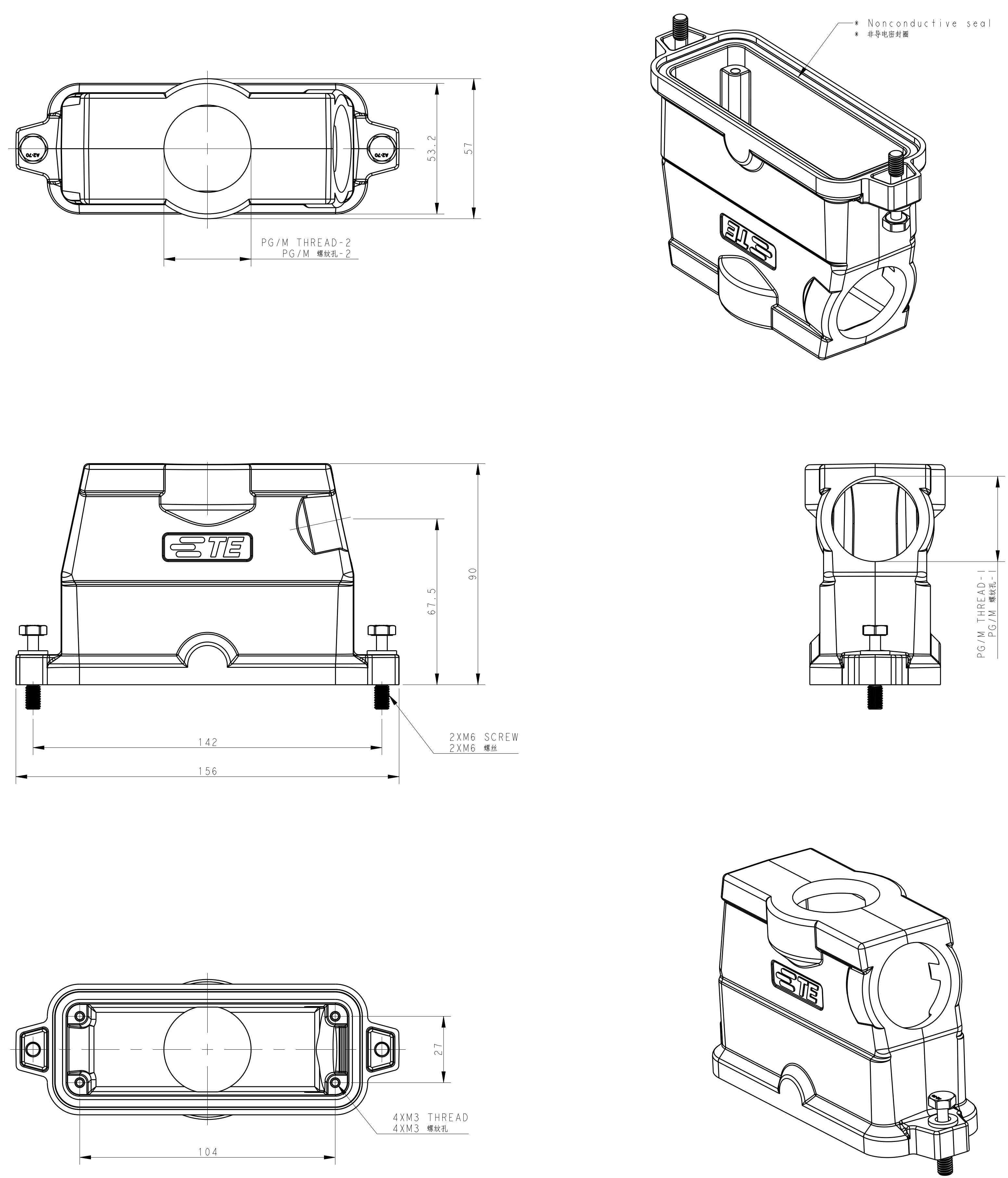


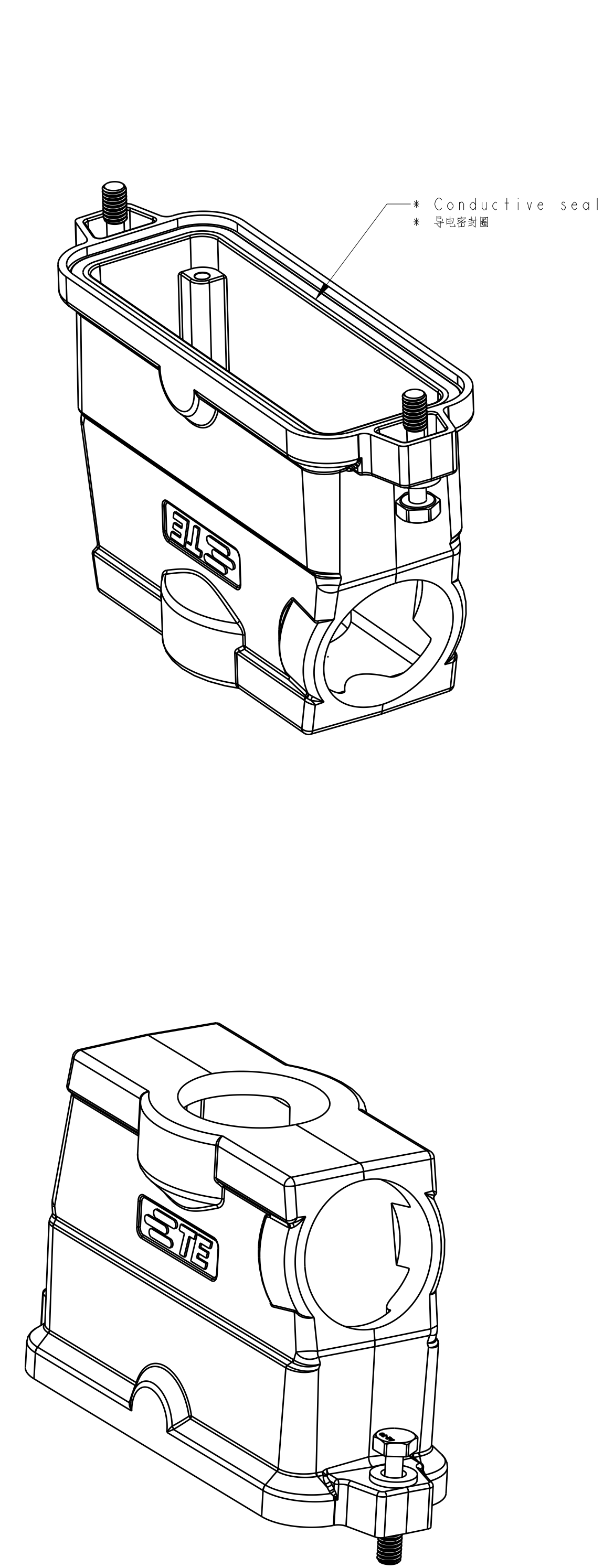
TYPE 1 类型 1

With nonconductive seal/带非导电密封胶



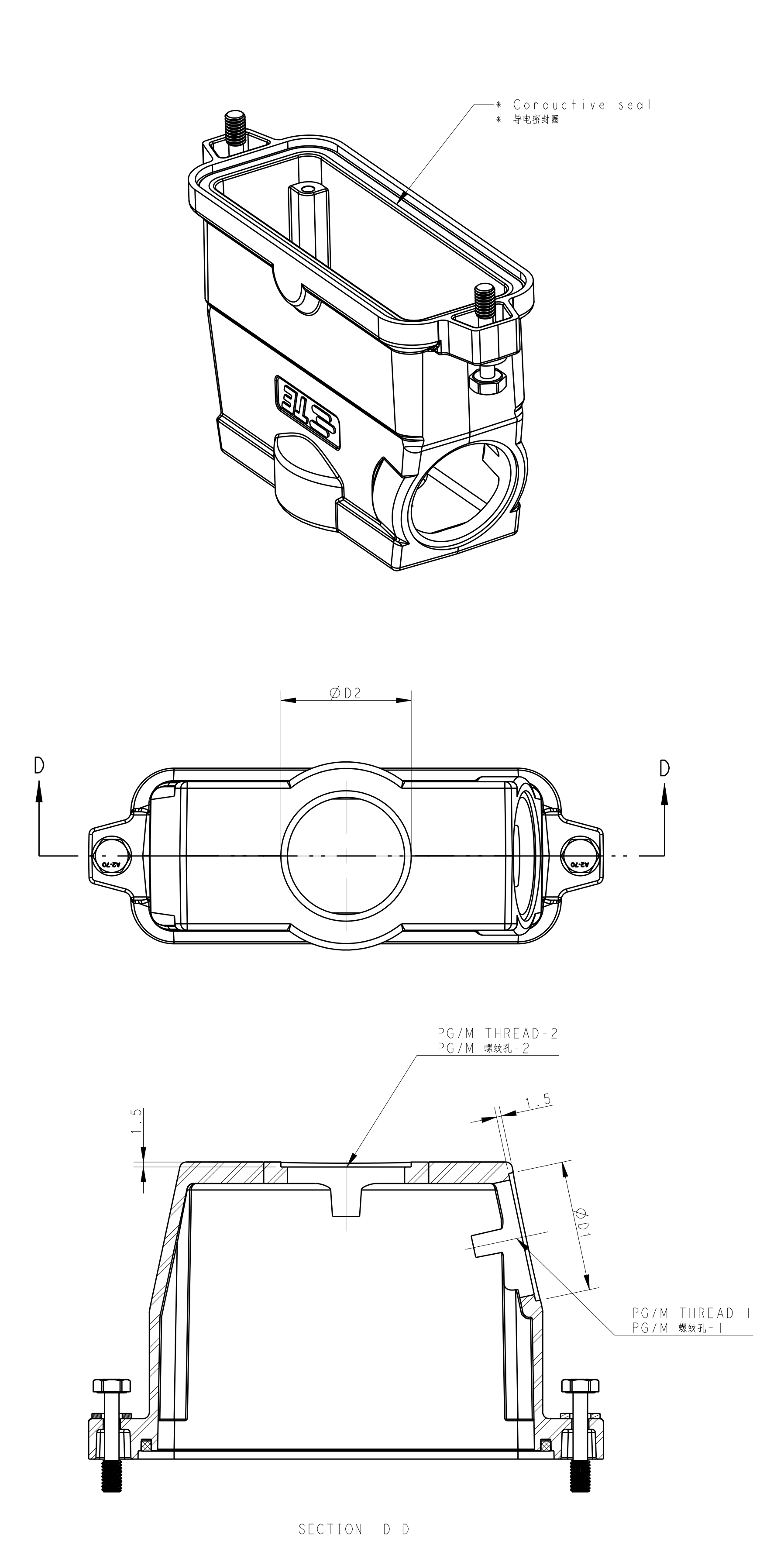
With conductive seal/带导电密封胶

TYPE 2 类型 2



With conductive seal/带导电密封胶

TYPE 3 类型 3



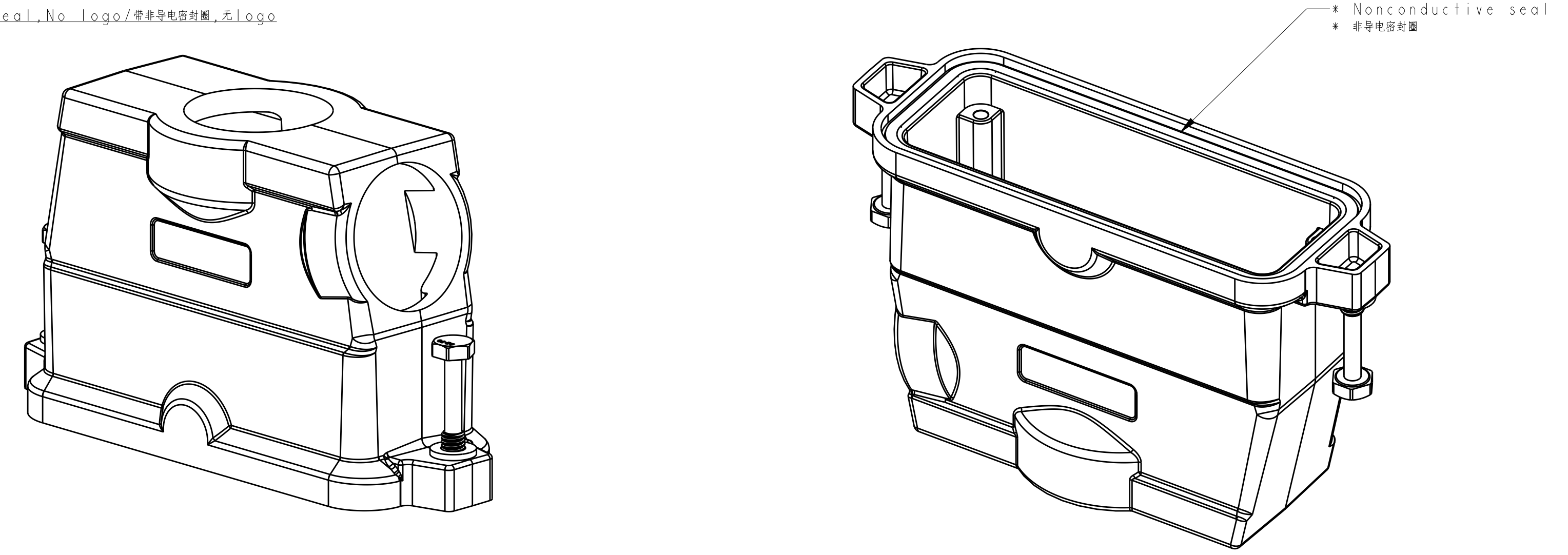
REVISIONS				
REV	DATE	DESCRIPTION	BY	APPD
A	16JUN2015	INITIAL RELEASE	GY	CW
B	30MAY2016	ECR-16-007814	GY	CW
B1	ECR-16-011036		DW	CW
B2	ECR-18-010109		CD	CW

All dimension is same as TYPE 1, except those defined in this TYPE
 除了在本类型中定义的尺寸外, 其他尺寸同类型 1

All dimension is same as TYPE 1, except those defined in this TYPE
 除了在本类型中定义的尺寸外, 其他尺寸同类型 1

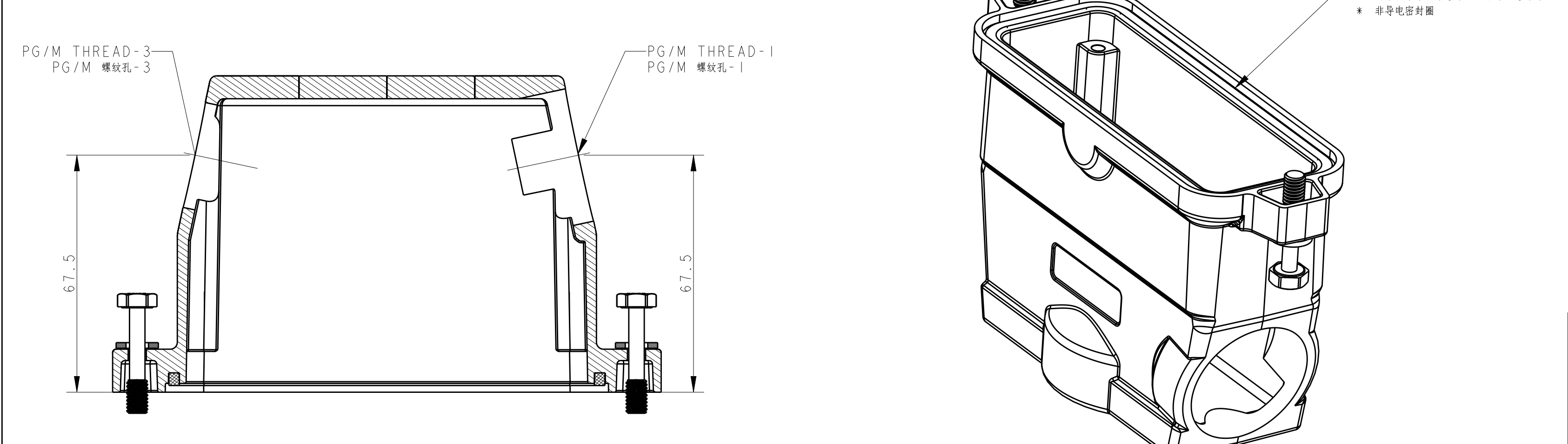
TYPE 4 类型 4

With nonconductive seal, No logo/带非导电密封胶, 无Logo



TYPE 5 类型 5

With nonconductive seal, Two side entry, No logo/带非导电密封胶, 双侧进, 无Logo



All dimension is same as TYPE 1, except those defined in this TYPE
 除了在本类型中定义的尺寸外, 其他尺寸同类型 1

THIS DRAWING IS A CONTROLLED DOCUMENT.		DATE: 16JUN2015	BY: G.Yao	APPROVED: 16JUN2015	NAME: H24BPR-TS/GHC-PG/M AND H24BPR-TG/SHC-PG/M
DIMENSIONS:		0 P/LC	1 P/LC	2 P/LC	3 P/LC
MATERIAL:		0 P/LC	1 P/LC	2 P/LC	3 P/LC
FINISH:		0 P/LC	1 P/LC	2 P/LC	3 P/LC
CUSTOMER DRAWING		SCALE: 1:1	SHEET: 1 of 2	REV: B2	

REVISIONS			
REV	DATE	BY	APPD
-	SEE SHEET 1	-	-

NOTES:
 1. TECHNICAL CHARACTERISTICS:
 HOOD MATERIAL: DIE CAST ALUMINIUM ALLOY
 SURFACE TREATMENT: SEE TABLE
 DEGREE OF PROTECTION: IP68 (MATED)

注释:
 1. 技术参数:
 壳体材料: 铝合金
 表面处理: 见表格
 防护等级: IP68 (配合)

TYPE 5 类型5	TYPE 4 类型4	TYPE 3 类型3	TYPE 2 类型2	TYPE 1 类型1					
T1912243240-001 POWDER COATED, DEEP GREY 粉末喷涂, 深灰色	H24BPR-TSHC-M32/M40	H24BPR HOOD, CENTER LOCKING, TWO SIDE ENTRY M32/M40, POWDER COATED, DEEP GREY, NO LOGO H24BPR上壳, 中锁锁定, 两侧面由M32/M40, 深灰色粉末喷涂, 无LOGO	M40	-	M32	-	-	-	-
T1902243240-001 POWDER COATED, DEEP GREY 粉末喷涂, 深灰色	H24BPR-TG/SHC-M32/M40	H24BPR HOOD, CENTER LOCKING, TOP ENTRY M32SIDE ENTRY M40, POWDER COATED, DEEP GREY, NO LOGO H24BPR上壳, 中锁锁定, 顶部由M32侧面由M40, 深灰色粉末喷涂, 无LOGO	M40	M32	-	-	-	-	-
T1902244025-001 POWDER COATED, DEEP GREY 粉末喷涂, 深灰色	H24BPR-TG/SHC-M40/M25	H24BPR HOOD, CENTER LOCKING, TOP ENTRY M40SIDE ENTRY M25, POWDER COATED, DEEP GREY, NO LOGO H24BPR上壳, 中锁锁定, 顶部由M40侧面由M25, 深灰色粉末喷涂, 无LOGO	M25	M40	-	-	-	-	-
T1902242240-001 POWDER COATED, DEEP GREY 粉末喷涂, 深灰色	H24BPR-TS/GHC-2M40	H24BPR HOOD, CENTER LOCKING, SIDE/TOP ENTRY 2M40, POWDER COATED, DEEP GREY, NO LOGO H24BPR上壳, 中锁锁定, 侧/顶部由2M40, 深灰色粉末喷涂, 无LOGO	M40	M40	-	-	-	-	-
T1902241232-100 POWDER COATED, SILVER WHITE 粉末喷涂, 银白色	H24BPR-TS/GHC-2M32	H24BPR HOOD, CENTER LOCKING, SIDE/TOP ENTRY 2M32, POWDER COATED, SILVER WHITE, CONDUCTIVE, THREAD HOLE WITH STEP H24BPR上壳, 中锁锁定, 侧/顶部由2M32, 银色粉末喷涂, 导电, 螺柱孔带台阶	M32	M32	-	-	34	34	-
T1902240232-100 POWDER COATED, BLACK 粉末喷涂, 黑色	H24BPR-TS/GHC-2M32	H24BPR HOOD, CENTER LOCKING, SIDE/TOP ENTRY 2M32, POWDER COATED, BLACK, CONDUCTIVE, THREAD HOLE WITH STEP H24BPR上壳, 中锁锁定, 侧/顶部由2M32, 黑色粉末喷涂, 导电, 螺柱孔带台阶	M32	M32	-	-	34	34	-
T1902241229-100 POWDER COATED, SILVER WHITE 粉末喷涂, 银白色	H24BPR-TS/GHC-2PG29	H24BPR HOOD, CENTER LOCKING, SIDE/TOP ENTRY 2PG29, POWDER COATED, SILVER WHITE, CONDUCTIVE, THREAD HOLE WITH STEP H24BPR上壳, 中锁锁定, 侧/顶部由2PG29, 银色粉末喷涂, 导电, 螺柱孔带台阶	PG29	PG29	-	-	39.5	39.5	-
T1902240229-100 POWDER COATED, BLACK 粉末喷涂, 黑色	H24BPR-TS/GHC-2PG29	H24BPR HOOD, CENTER LOCKING, SIDE/TOP ENTRY 2PG29, POWDER COATED, BLACK, CONDUCTIVE, THREAD HOLE WITH STEP H24BPR上壳, 中锁锁定, 侧/顶部由2PG29, 黑色粉末喷涂, 导电, 螺柱孔带台阶	PG29	PG29	-	-	39.5	39.5	-
T1902240240-100 POWDER COATED, BLACK 粉末喷涂, 黑色	H24BPR-TS/GHC-2M40	H24BPR HOOD, CENTER LOCKING, SIDE/TOP ENTRY 2M40, POWDER COATED, BLACK, CONDUCTIVE, THREAD HOLE WITH STEP H24BPR上壳, 中锁锁定, 侧/顶部由2M40, 黑色粉末喷涂, 导电, 螺柱孔带台阶	M40	M40	-	-	-	-	-
T1902242240-000 POWDER COATED, GREY 粉末喷涂, 灰色	H24BPR-TS/GHC-2M40	H24BPR HOOD, CENTER LOCKING, SIDE/TOP ENTRY 2M40, POWDER COATED, GREY H24BPR上壳, 中锁锁定, 侧/顶部由2M40, 灰色粉末喷涂	M40	M40	-	-	-	-	-
T1902244025-000 POWDER COATED, SILVER WHITE 粉末喷涂, 银白色	H24BPR-TG/SHC-M40/M25	H24BPR HOOD, CENTER LOCKING, TOP ENTRY M40SIDE ENTRY M25, POWDER COATED, SILVER WHITE H24BPR上壳, 中锁锁定, 顶部由M40侧面由M25, 银色粉末喷涂	M25	M40	-	-	-	-	-
T1902244020-000 POWDER COATED, SILVER WHITE 粉末喷涂, 银白色	H24BPR-TG/SHC-M40/M20	H24BPR HOOD, CENTER LOCKING, TOP ENTRY M40SIDE ENTRY M20, POWDER COATED, SILVER WHITE H24BPR上壳, 中锁锁定, 顶部由M40侧面由M20, 银色粉末喷涂	M20	M40	-	-	-	-	-
T1902243240-000 POWDER COATED, SILVER WHITE 粉末喷涂, 银白色	H24BPR-TG/SHC-M32/M40	H24BPR HOOD, CENTER LOCKING, TOP ENTRY M32SIDE ENTRY M40 HOOD, POWDER COATED, SILVER WHITE H24BPR上壳, 中锁锁定, 顶部由M32侧面由M40上壳, 银色粉末喷涂	M40	M32	-	-	-	-	-
T1902242540-000 POWDER COATED, SILVER WHITE 粉末喷涂, 银白色	H24BPR-TG/SHC-M25/M40	H24BPR HOOD, CENTER LOCKING, TOP ENTRY M25SIDE ENTRY M40 HOOD, POWDER COATED, SILVER WHITE H24BPR上壳, 中锁锁定, 顶部由M25侧面由M40上壳, 银色粉末喷涂	M40	M25	-	-	-	-	-
T1902242040-000 POWDER COATED, SILVER WHITE 粉末喷涂, 银白色	H24BPR-TG/SHC-M20/M40	H24BPR HOOD, CENTER LOCKING, TOP ENTRY M20SIDE ENTRY M40 HOOD, POWDER COATED, SILVER WHITE H24BPR上壳, 中锁锁定, 顶部由M20侧面由M40上壳, 银色粉末喷涂	M40	M20	-	-	-	-	-
T1902241240-000 POWDER COATED, SILVER WHITE 粉末喷涂, 银白色	H24BPR-TS/GHC-2M40	H24BPR HOOD, CENTER LOCKING, SIDE/TOP ENTRY 2M40, POWDER COATED, SILVER WHITE H24BPR上壳, 中锁锁定, 侧/顶部由2M40, 银色粉末喷涂	M40	M40	-	-	-	-	-
T1902241232-000 POWDER COATED, SILVER WHITE 粉末喷涂, 银白色	H24BPR-TS/GHC-2M32	H24BPR HOOD, CENTER LOCKING, SIDE/TOP ENTRY 2M32, POWDER COATED, SILVER WHITE H24BPR上壳, 中锁锁定, 侧/顶部由2M32, 银色粉末喷涂	M32	M32	-	-	-	-	-
T1902241229-000 POWDER COATED, SILVER WHITE 粉末喷涂, 银白色	H24BPR-TS/GHC-2PG29	H24BPR HOOD, CENTER LOCKING, SIDE/TOP ENTRY 2PG29, POWDER COATED, SILVER WHITE H24BPR上壳, 中锁锁定, 侧/顶部由2PG29, 银色粉末喷涂	PG29	PG29	-	-	-	-	-

PART NUMBER 料号	SURFACE 表面处理	PART DESCRIPTION 描述	PG/M THREAD-1 PG/M 螺柱-1	PG/M THREAD-2 PG/M 螺柱-2	PG/M THREAD-3 PG/M 螺柱-3	ØD2	ØD1	TYPE 类型
THIS DRAWING IS A CONTROLLED DOCUMENT. 此图是受控文件。			DATE 日期		REV 版本		APPROVED BY 批准人	
DIMENSIONS 尺寸			DRAWING NUMBER 图号		PRODUCT SPEC 产品规格		APPLICATION SPEC 应用规格	
MATERIAL 材料			FINISH 表面处理		WEIGHT 重量		SCALE 比例	
CUSTOMER DRAWING			DATE 日期		REV 版本		APPROVED BY 批准人	