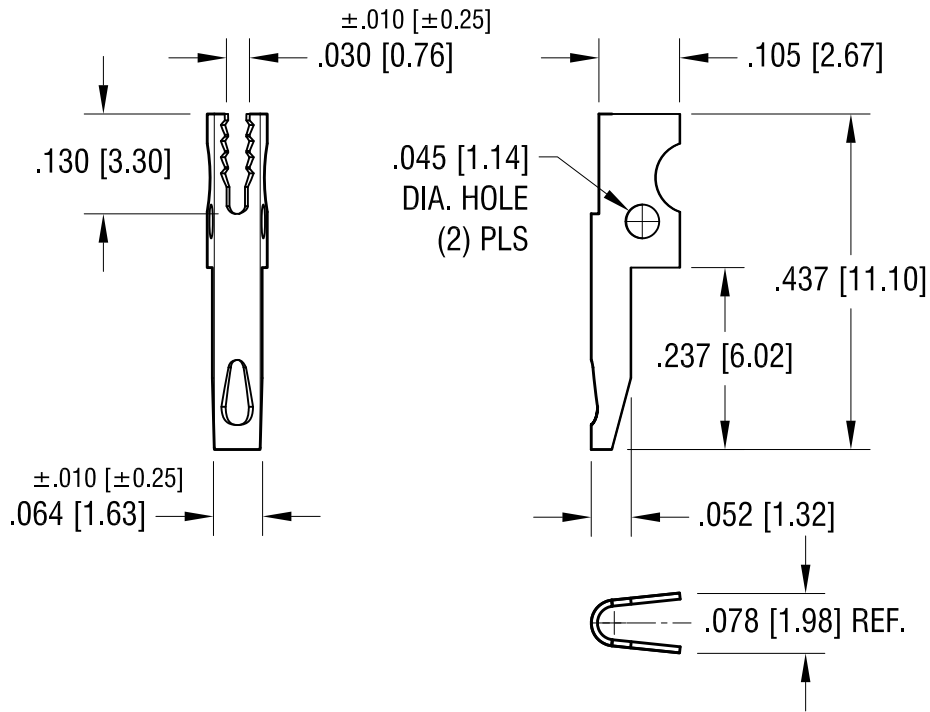
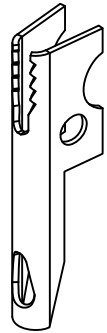


THIS DOCUMENT IS THE PROPERTY OF  
KEYSTONE ELECTRONICS CORP. AND  
SHALL NOT BE REPRODUCED, DISTRIBUTED  
OR USED AS A BASIS FOR MANUFACTURE  
WITHOUT PRIOR WRITTEN PERMISSION  
FROM KEYSTONE ELECTRONICS CORP.



NOTE:

- HEAT TREAT TO SPRING TEMPER

9.21.09	CHANGE AS PER ECN 09-134	D
4.24.01	CHANGE AS PER ECN 01-032	C
DATE	DESCRIPTION	REV.

<b>KEYSTONE ELECTRONICS CORP.</b>			
www.keyelco.com • ASTORIA, N.Y. 11105-2017 • Tel (718) 956-8900			
PART NAME		IMP TERMINAL	
MATERIAL		.008 [0.20] TH'K BERYLLIUM COPPER	
FINISH		DRN BY	DATE
MATTE TIN PLATE		BOONE	5.12.82
		APP'D	SCALE
		LN	4X
TOLERANCES	INCH [MM]	CODE	DWG NO.
DECIMAL	$\pm .005$ [ $\pm 0.15$ ]	C	<b>1499FT</b>
ANGULAR	$\pm 1^\circ$		
UNLESS OTHERWISE SPECIFIED			