

## 1 Scope

The present specifications shall apply to Sanken silicon diode, RM4Y.

## 2 Outline

Type	Silicon Rectifier Diode (Mesa type)
Structure	Resin Molded      Flammability: UL94V-0 (Equivalent)
Applications	Commercial Frequency Rectification, etc.

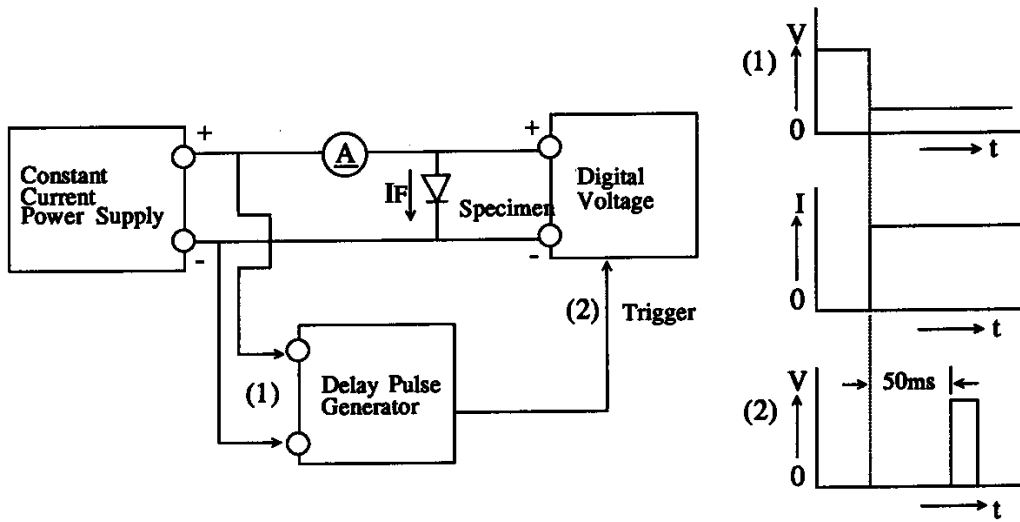
## 3 Absolute maximum ratings

No.	Item	Symbol	Unit	Rating	Conditions
1	Transient Peak Reverse Voltage	$V_{RSM}$	V	150	
2	Peak Reverse Voltage	$V_{RM}$	V	100	
3	Average Forward Current	$I_{F(AV)}$	A	3.0	Refer to derating curve in Section 6
4	Peak Surge Forward Current	$I_{FSM}$	A	200	10ms. Half sine wave, one shot
5	Junction Temperature	$T_j$	°C	-40 to +150	
6	Storage Temperature	$T_{stg}$	°C	-40 to +150	

4 Electrical characteristics ( $T_a=25^\circ\text{C}$ , unless otherwise specified)

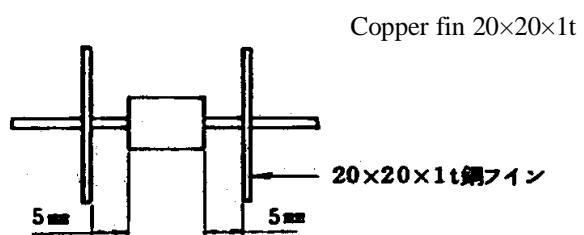
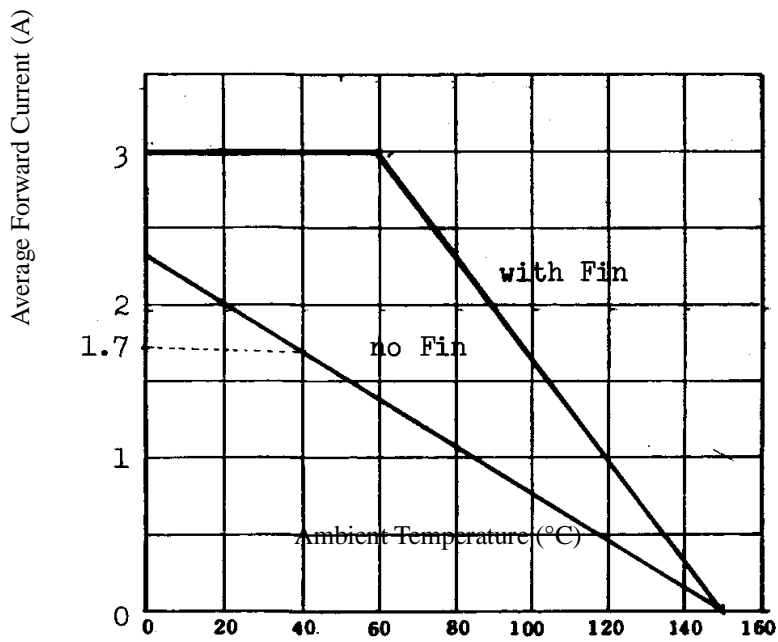
No.	Item	Symbol	Unit	Rating	Conditions
1	Forward Voltage Drop	$V_F$	V	0.95 max.	$I_F=3.0\text{A}$
2	Reverse Leakage Current	$I_R$	$\mu\text{A}$	10 max.	$V_R=V_{RM}$
3	Reverse Leakage Current Under High Temperature	$H \cdot I_R$	$\mu\text{A}$	50 max.	$V_R=V_{RM}$ , $T_j=150^\circ\text{C}$
4	Thermal Resistance	$R_{th(j-l)}$	°C/W	8.0 max.	Between Junction and Lead

5  $V_F$  test and test circuit



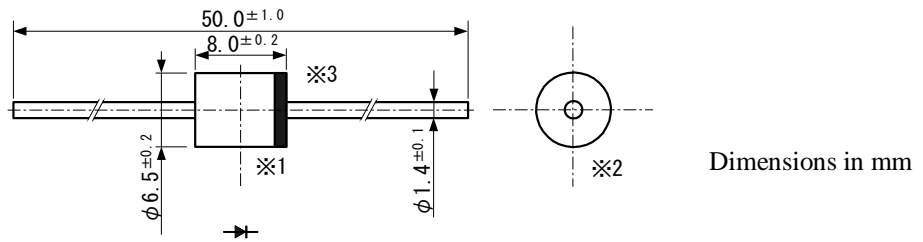
6 Derating

Derating to the ambient temperature  
 Power loss generated by voltage is not taken into consideration.



7 Dimensions, inner structure and marking

7-1 Dimensions refer

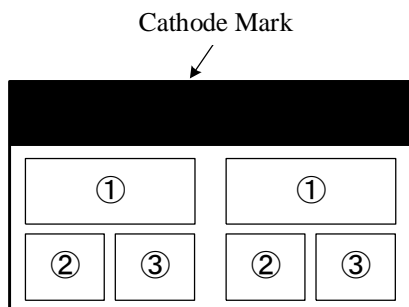


- \*1 The allowance position of body against the center of whole lead wire is 0.5mm (max.)
- \*2 The centric allowance of lead wire against center of physical body is 0.3mm (max.)
- \*3 The burr may exist up to 2mm from the body of lead.

7-2 Appearance

The body shall be clean and shall not bear any stain, rust or flaw.  
The color of the case will be black.

7-3 Marking



- ① Type number      RM4Y
- ② Lot number 1  
First digit: Last digit of Year  
Second digit: Month  
From 1 to 9 for Jan. to Sep.  
O for Oct., N for Nov., and D for Dec.
- ③ Lot number 2 (ten days)
  - Top of the month
  - Middle of month
  - End of month

The color of marking must be white