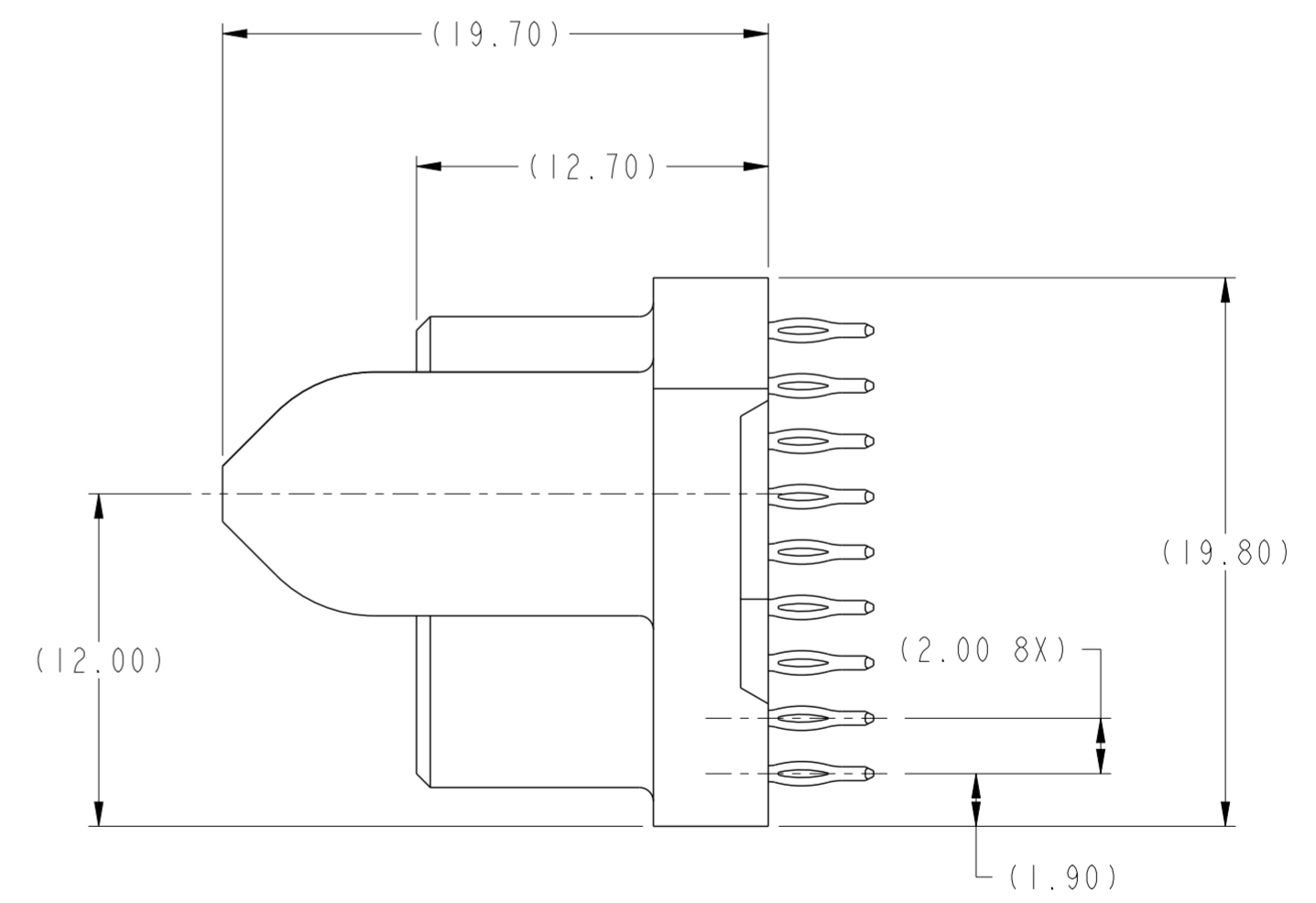
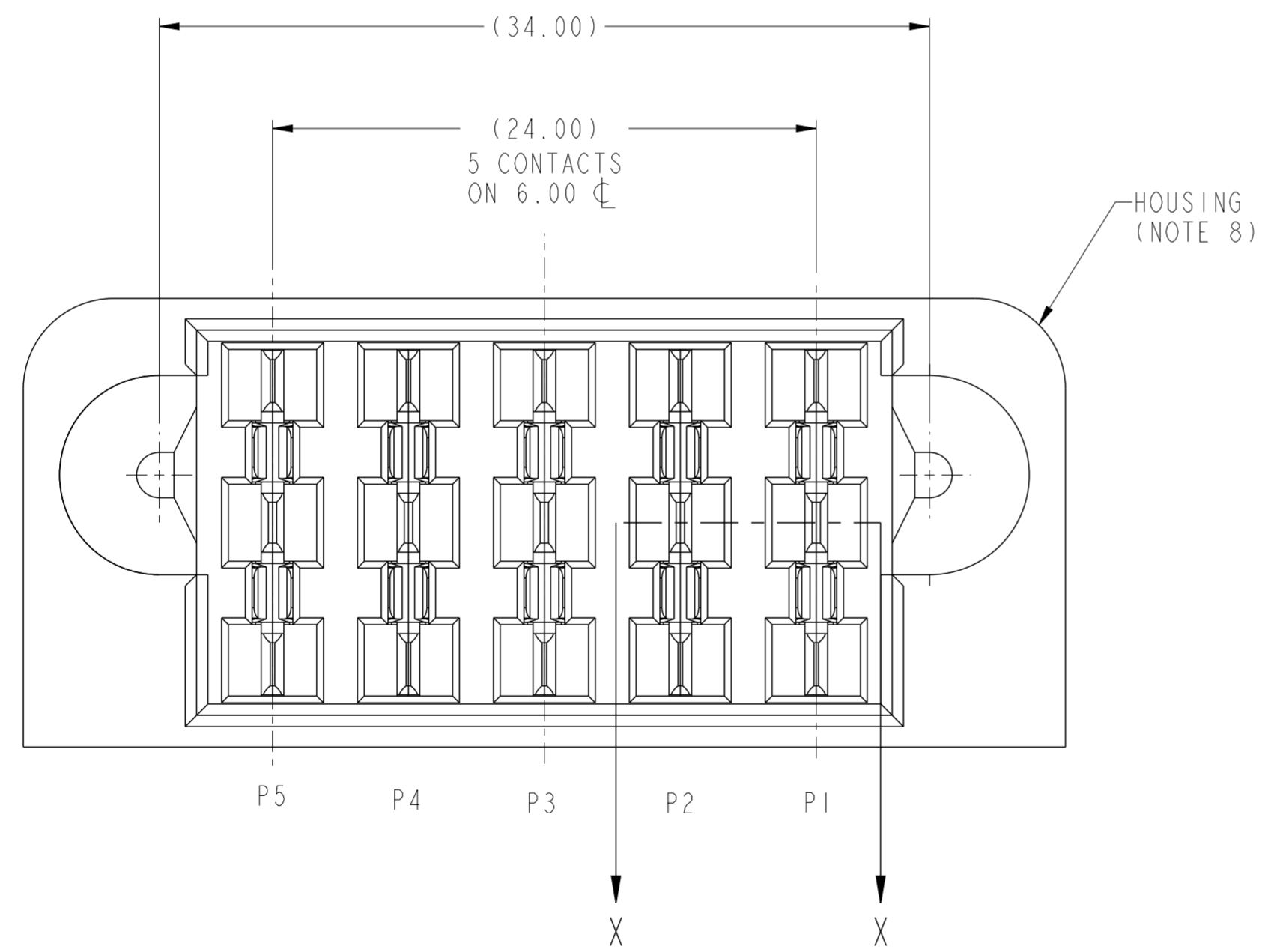


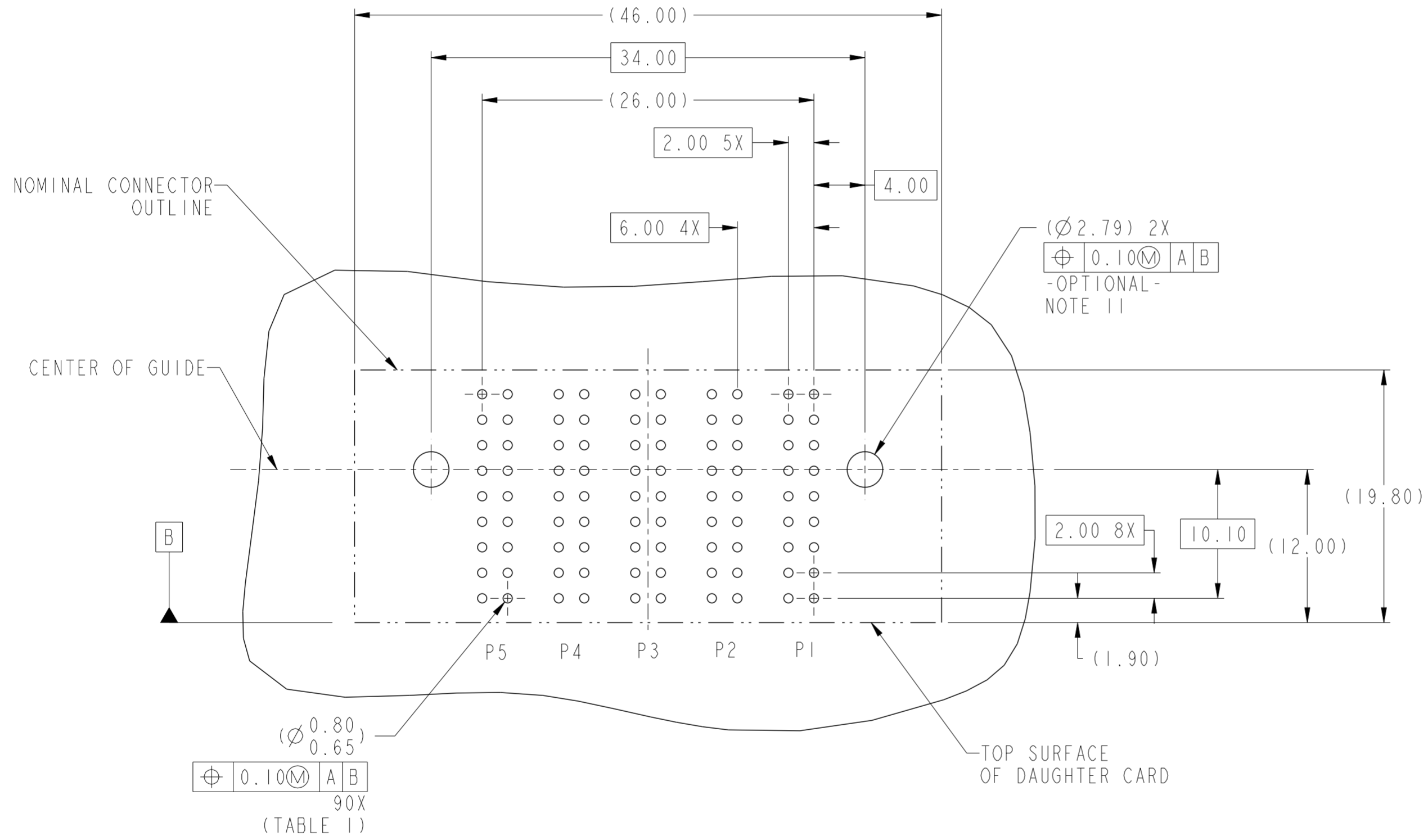
SECTION X-X



spec ref	*	dr	DuWa	2010/04/28	projection	MM	size	A2	scale	2:1	
tolerance std	-	eng	Helen Zhang	2012/07/22			ecn no	-	rel level	Released	
ASME Y14.5	TOLERANCES UNLESS OTHERWISE SPECIFIED	chr	-	app							Pei-Ming Zheng
surface	✓	linear	0.X	±.5		title VERT RECPT ASSY 5DC HCI POWER CONNECTOR	dwg no 10094931	rev A	Product - Customer Drw		
ASME Y14.5	angular	0°	±2°	www.fci.com					cat. no.	-	sheet 1 of 3

Copyright FCI. FCI

TOP LAYER DESCRIPTION	TABLE 1 (HCI POWER) PLATED THROUGH-HOLE REQUIREMENTS							
	DRILLED HOLE DIAMETER	COPPER THICKNESS	TIN-LEAD THICKNESS	NICKEL THICKNESS	GOLD THICKNESS	TIN THICKNESS	SILVER THICKNESS	FINISHED HOLE DIAMETER
TIN-LEAD	0.81-0.86 (0.85 DRILL)	0.025 - 0.050	0.005 - 0.015	--	--	--	--	0.65 - 0.80
IMMERSION TIN	0.81-0.86 (0.85 DRILL)	0.025 - 0.050	--	--	--	0.9 - 1.5um	--	0.70 - 0.80
IMMERSION SILVER	0.81-0.86 (0.85 DRILL)	0.025 - 0.050	--	--	--	--	0.15 - 0.65um	0.70 - 0.80
COPPER (SEE NOTE 9)	0.81-0.86 (0.85 DRILL)	0.025 - 0.050	--	--	--	--	--	0.70 - 0.80
GOLD	0.81-0.86 (0.85 DRILL)	0.025 - 0.050	--	0.003 - 0.007	FLASH UP TO 0.0002	--	--	0.69 - 0.80

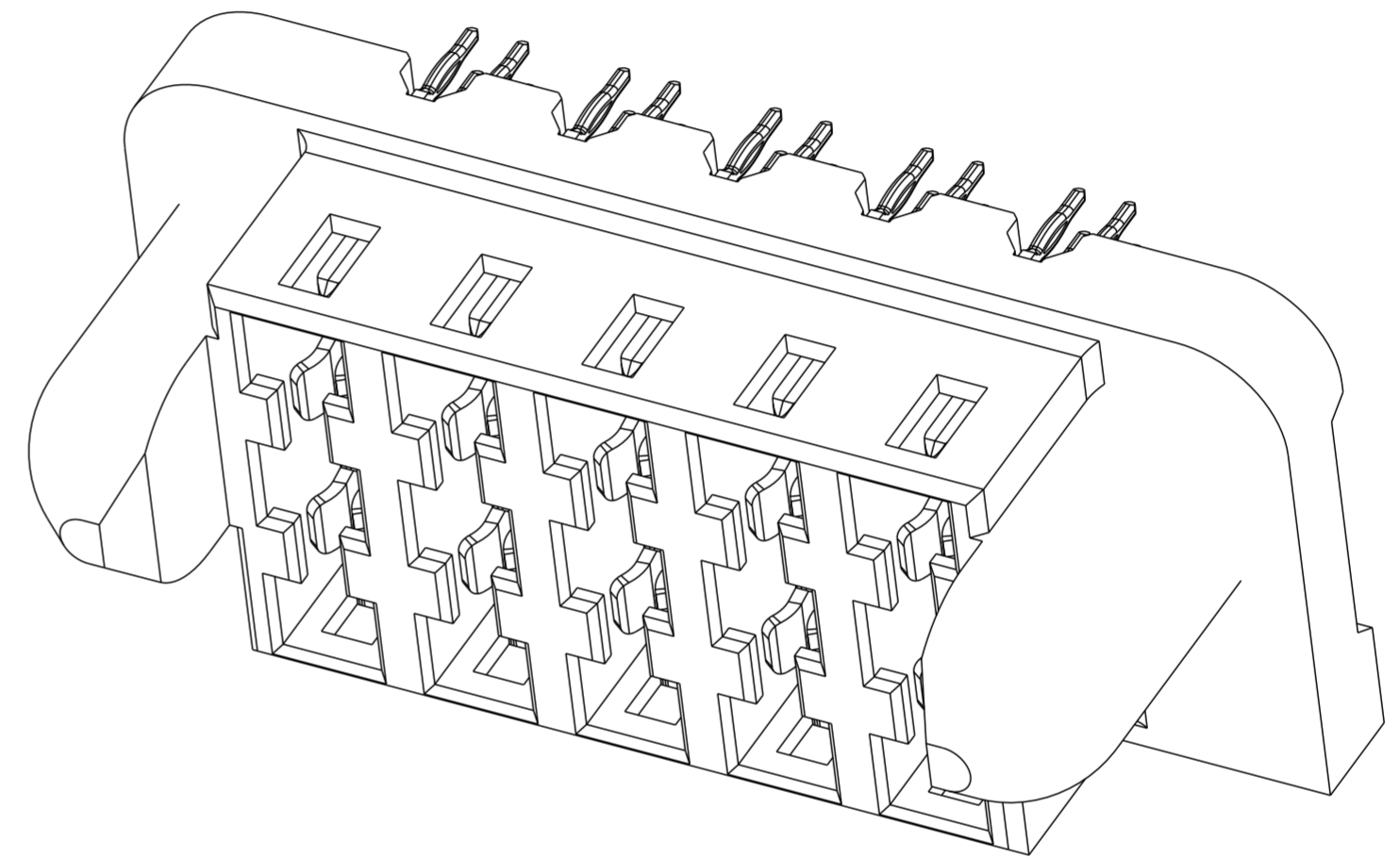


RECOMMENDED PCB LAYOUT
COMPONENT SIDE
NOTE 6

spec ref	*	dr	DuWa	2010/04/28	projection	MM	size	A2	scale	2:1
tolerance std	ASME Y14.5	eng	Helen Zhang	2012/07/22	chr	-	ecn no	-	rel level	Released
surface	✓	appr	Pei-Ming Zheng	2012/07/23	product family	HCI	cat. no.	10094931	rev	A
ASME Y14.5	linear	0.X	±.5	0.XX	±.25	0.XXX	±.10	angular	0°	±2°

Copyright FCI. FCI

PART NUMBER	M2.5 SCREW NOTE 11	TAIL PLATING	TAIL TYPE
10094931-001	OPTIONAL	SnPb	PRESS-FIT
10094931-001LF	OPTIONAL	Sn	PRESS-FIT



NOTES:

1. CONNECTOR MATERIALS:
HOUSING: HIGH TEMPERATURE THERMOPLASTIC, BLACK
UL 94V-0 COMPLIANT
CONTACTS: HIGH PERFORMANCE COPPER ALLOY
2. CONTACT FINISH (ref GS-12-380 SECTION 5.2)
3. PRODUCT SPECIFICATION: GS-12-380.
4. APPLICATION SPECIFICATION: GS-20-070.
5. PRODUCT MARKING (PRODUCT NUMBER & DATE CODE) ON HOUSING IN AREA SHOWN.
6. MINIMUM NOMINAL PCB THICKNESS: 1.6mm
7. PACKAGING MEETS FCI SPECIFICATION GS-14-1073.
8. HOUSING COMPONENT WILL WITHSTAND EXPOSURE TO 260°C
PEAK TEMPERATURE FOR 60 SECONDS IN A CONVECTION, INFRA-RED,
OR VAPOR PHASE REFLOW OVEN.
9. COPPER PLATING THICKNESS IN CENTER OF VIA-HOLE CAN BE
NO MORE THAN 0.003 LESS THAN OTHER AREAS.
10. ALL HOLE SIZES ARE FINISHED HOLE SIZES.
11. RECOMMENDED RETENTION TO PCB:
Ø0.110[2.79] THRU HOLE (UNPLATED) FOR M2.5 SELF THREADING SCREW, MAX
HEAD Ø0.177[4.50].
RECOMMENDED SCREW LENGTH 0.276[7.00] + PCB THICKNESS.
RECOMMENDED SCREW SEATING TO PCB TORQUE: 2-5 lbf-in (2300-5760 gf-cm).

spec ref	*	dr	DuWa	2010/04/28	projection	MM	size	A2	scale	2:1
tolerance std	-	eng	Helen Zhang	2012/07/22			ecn no	-	Released	
ASME Y14.5	TOLERANCES UNLESS OTHERWISE SPECIFIED	chr	-	product family			HCI	rel level		
surface	✓	appr	Pai-Ming Zheng	2012/07/23			title	VERT RECPT ASSY 5DC HCI POWER CONNECTOR	dwg no	10094931
ASME Y14.5	angular	0°	±2°	www.fci.com	cat. no.	-	Product - Customer Drw	sheet 3 of 3		