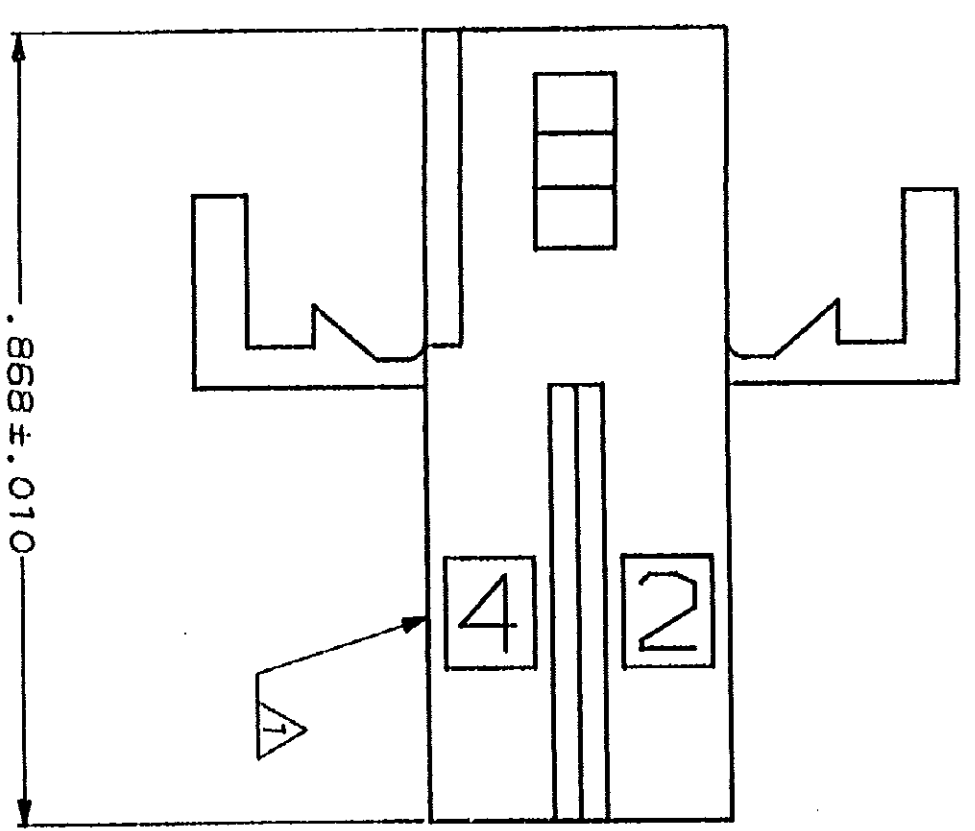
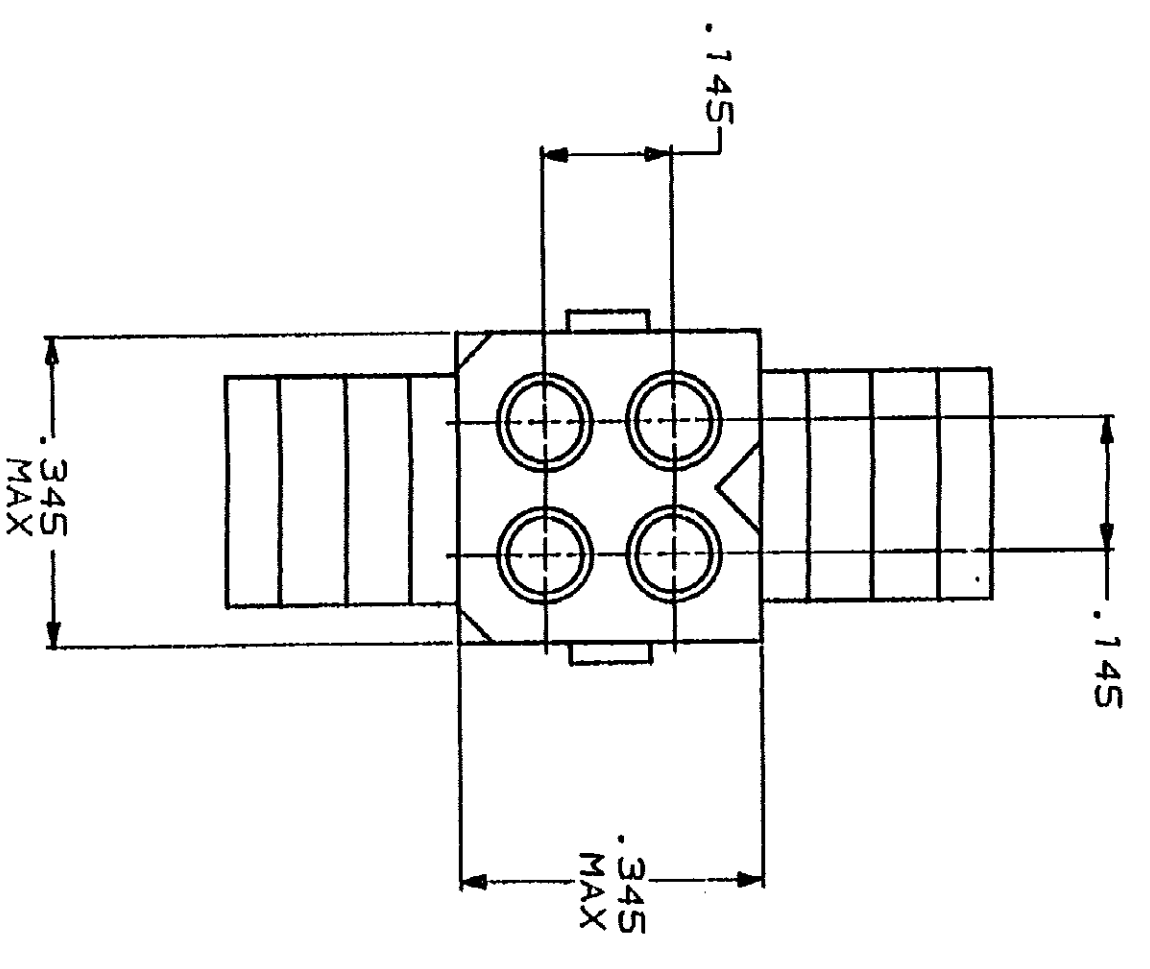
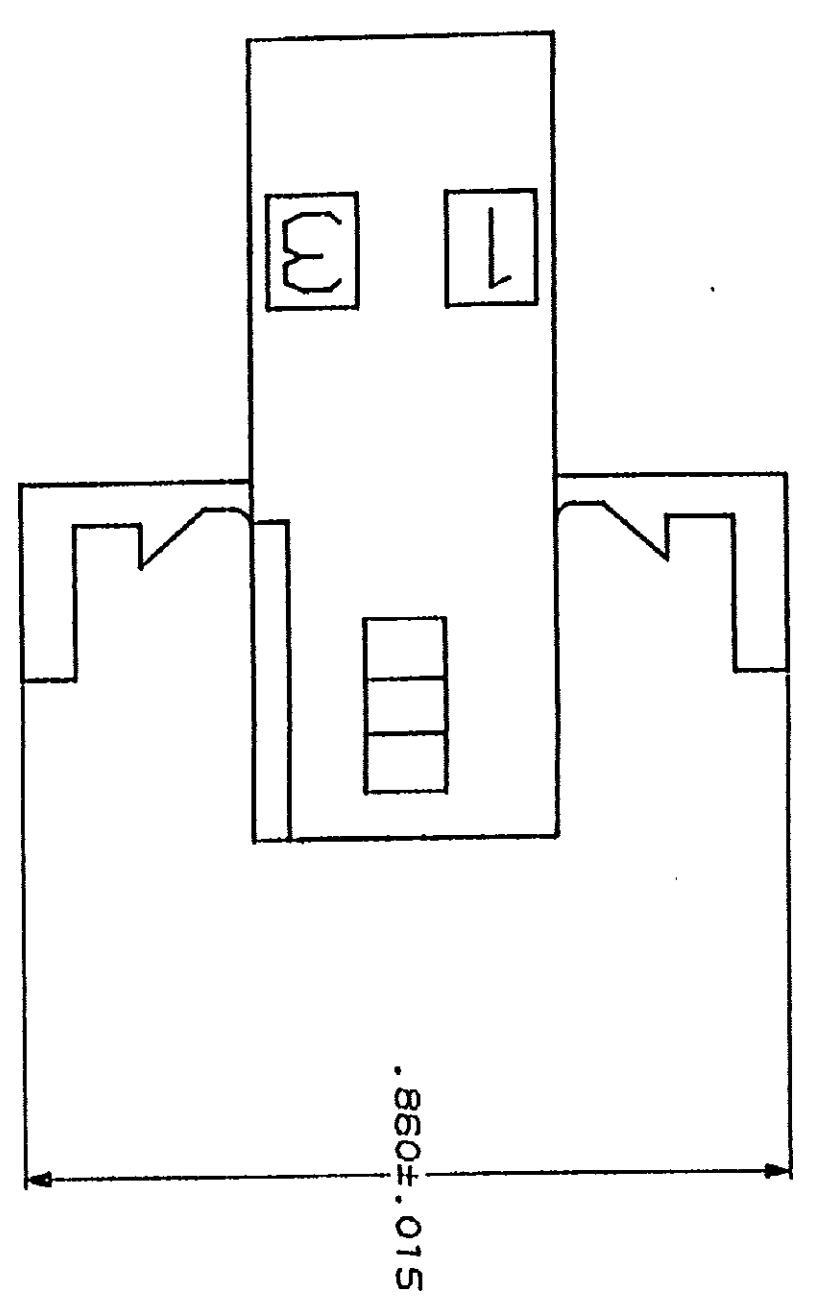
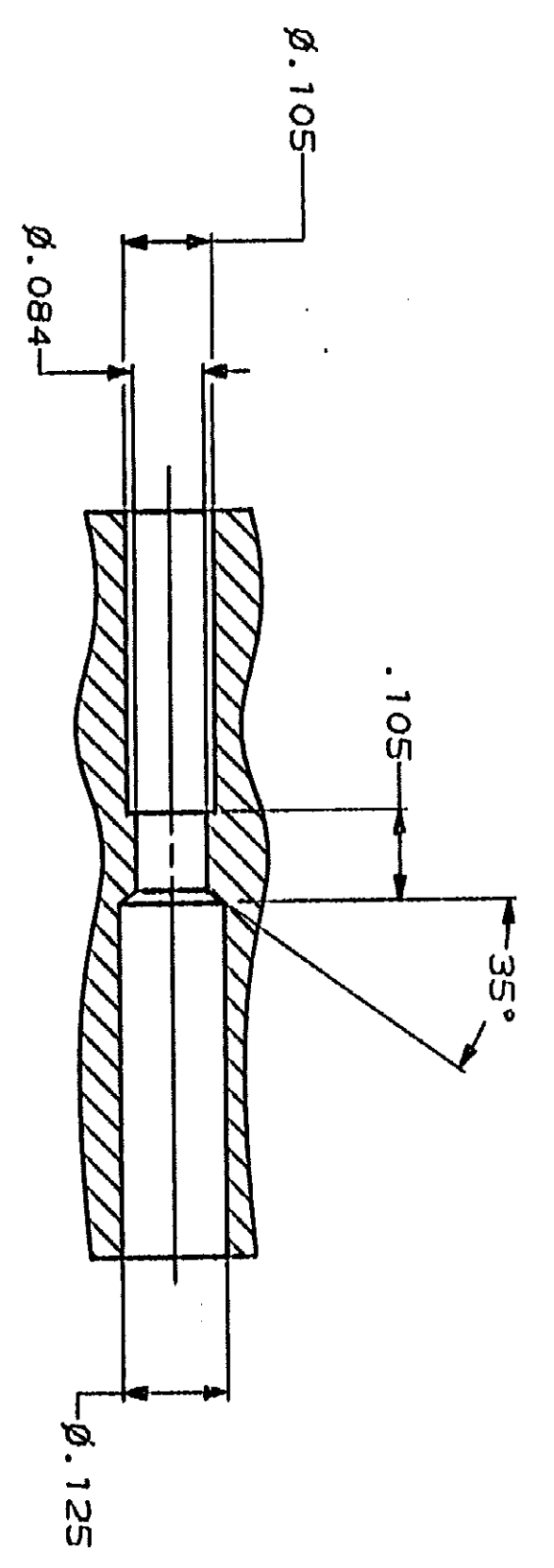
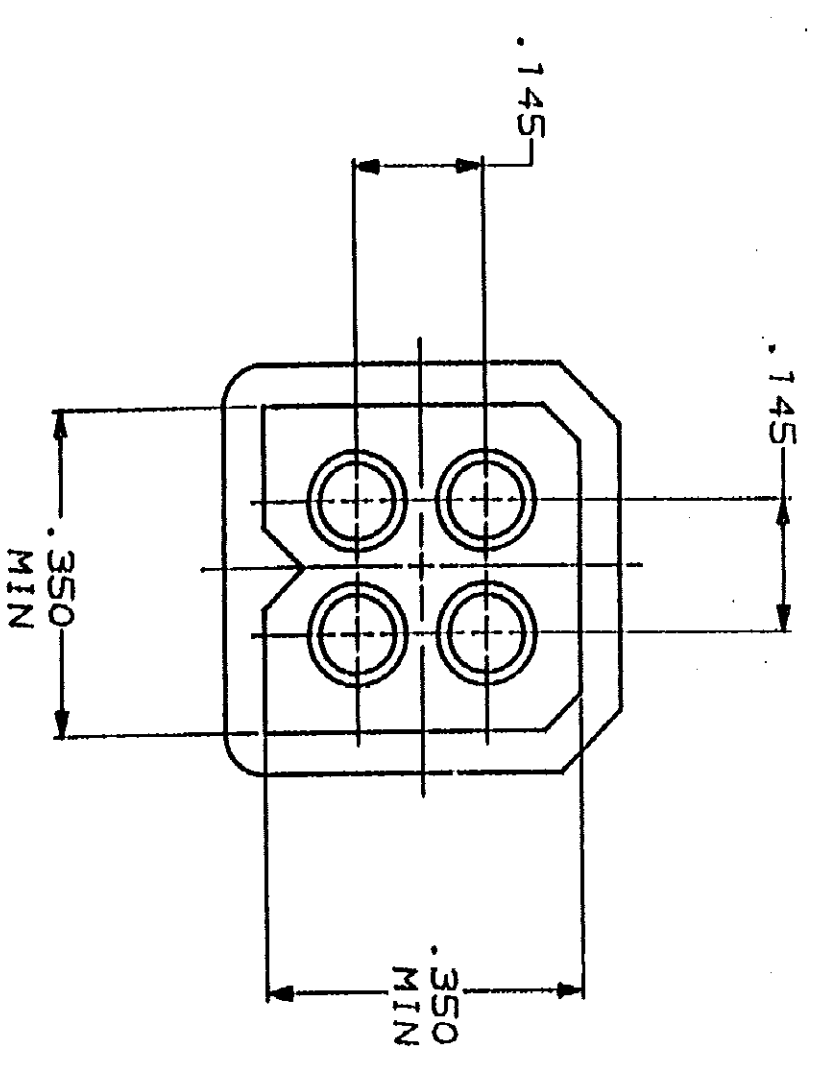


DRAWING MADE IN THIRD ANGLE PROJECTION  
 THIS DRAWING IS UNPUBLISHED. RELEASED FOR PUBLICATION  
 BY AMP INCORPORATED. ALL INTERNATIONAL RIGHTS RESERVED.  
 © COPYRIGHT 1981

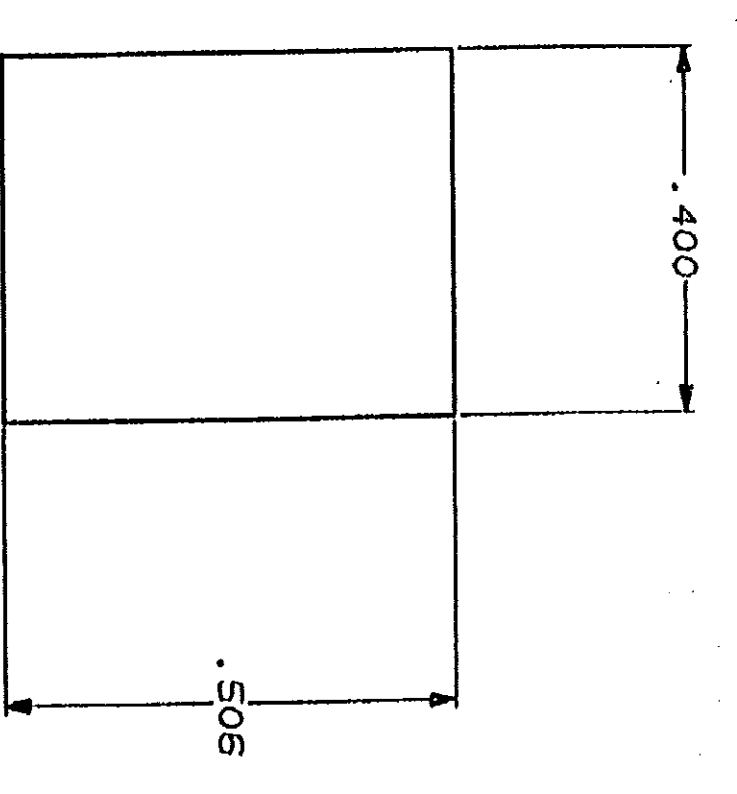
REV	DATE	APPROV	DESCRIPTION
1	8-11-82	55	ADDED METRIC CONVERSION



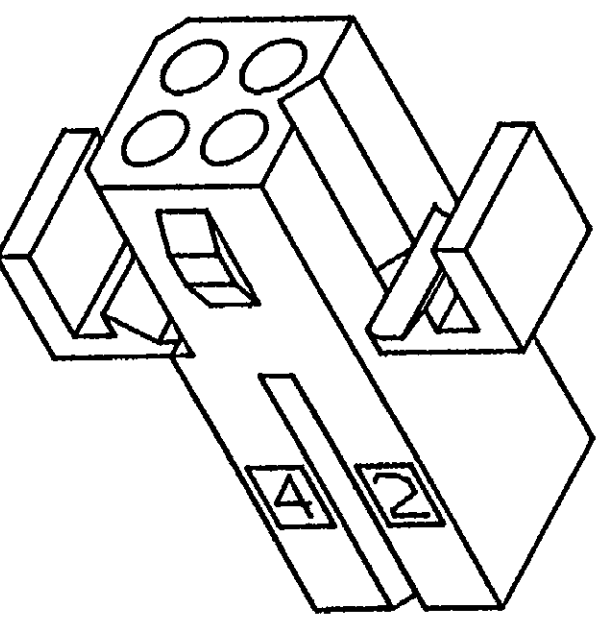
△ AMP LOGO LOCATED THIS SURFACE.



TYPICAL RECEPTACLE CAVITY SECTION  
 (DIMENSIONS REFERENCE ONLY)



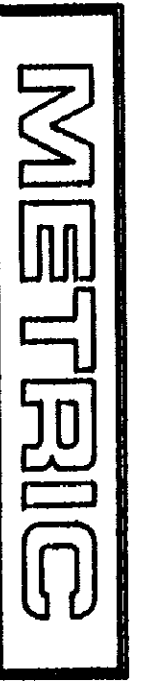
RECOMMENDED CUTOUT FOR  
 .060 MAX THICK PANEL



3-DIMENSIONAL MODEL  
 NTS

IN	MM	IN	MM
.145	3.68	.868	22.05
.062	1.57	.860	21.84
.060	1.52	.506	12.85
.015	0.38	.400	10.16
.010	0.25	.350	8.89
.005	0.13	.345	8.76

CONVERSION TABLE



DO NOT SCALE PRINT. UNLESS SPECIFIED IN CHANGES TOLERANCES ON: 2 PLG DEC ± .005 3 PLG DEC ± .005 ANGLES MATERIAL NYLON, UL 94V-2, NATURAL	DR K. WHITAKER 11-3-80 CHK R. SWINS 11-3-80 APP'D R. CARSON 11-4-80 PRODUCT SPEC	AMP INCORPORATED RECEPTACLE, PANEL MOUNT, 4 CIRCUIT, .062 PIN AND SOCKET	PART NO 770441-1
FINISH NATURAL	APPLICATION SPEC	SIZE D 00779	DRAWING NO 770441
WEIGHT	SCALE 5:1	SHEET 1 OF 1	CUSTOMER DRAWING