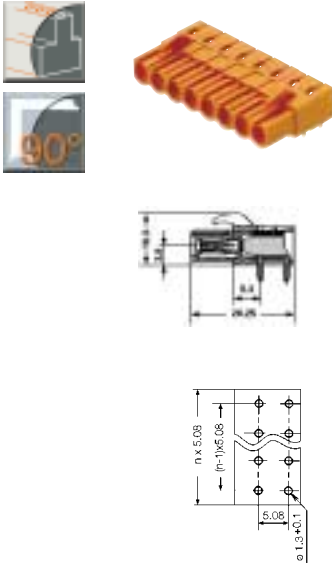


Omnimate Range - 5.08 mm Pitch



Socket header BLL 5.08/90



Technical data	VDE	UL	CSA
Rated voltage (V)	250*	300	300
Rated current (A)	12	15	14

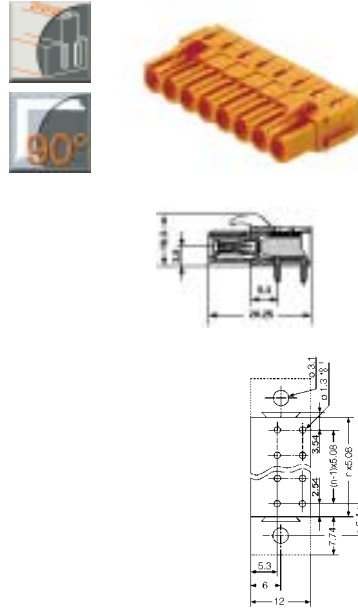
*Pollution severity 3 / Overvoltage category III
Additional technical data see page 217

Solder pin length		4.5 mm	4.5 mm	
Color		●	●	
Poles	Type	Part No.	Part No.	Qty.
2	BLL 5.08/2/90	1645920000	1646030000	100
3	BLL 5.08/3/90	1645930000	1646040000	100
4	BLL 5.08/4/90	1645940000	1646050000	100
5	BLL 5.08/5/90	1645950000	1646060000	50
6	BLL 5.08/6/90	1645960000	1646070000	50
7	BLL 5.08/7/90	1645970000	1646080000	50
8	BLL 5.08/8/90	1645980000	1646090000	50
9	BLL 5.08/9/90	1645990000	1646100000	50
10	BLL 5.08/10/90	1646000000	1646110000	50
11	BLL 5.08/11/90	1646010000	1646120000	50
12	BLL 5.08/12/90	1646020000	1646130000	50
13	BLL 5.08/13/90	1648660000	1648780000	50
14	BLL 5.08/14/90	1648670000	1648790000	50
15	BLL 5.08/15/90	1648680000	1648800000	50
16	BLL 5.08/16/90	1648690000	1648810000	50
17	BLL 5.08/17/90	1648700000	1648820000	20
18	BLL 5.08/18/90	1648710000	1648830000	20
19	BLL 5.08/19/90	1648720000	1648840000	20
20	BLL 5.08/20/90	1648730000	1648850000	20
21	BLL 5.08/21/90	1648740000	1648860000	20
22	BLL 5.08/22/90	1648750000	1648870000	20
23	BLL 5.08/23/90	1648760000	1648880000	20
24	BLL 5.08/24/90	1648770000	1648890000	20

BLL allows for touchsafe PCBs

Accessories	Page
Mounting	-
Marking	190
Coding	193
Miscellaneous	-

Socket header BLL 5.08/90B



Technical data	VDE	UL	CSA
Rated voltage (V)	250*	300	300
Rated current (A)	12	15	14

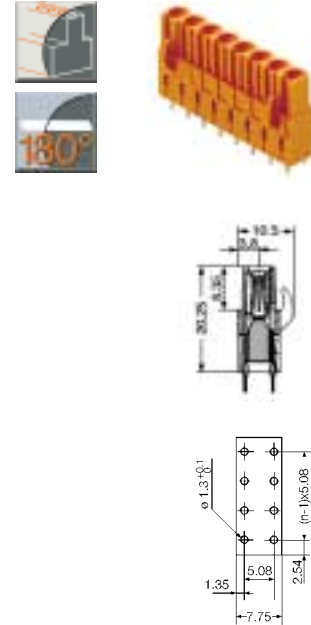
*Pollution severity 3 / Overvoltage category III
Additional technical data see page 217

Solder pin length		4.5 mm	4.5 mm	
Color		●	●	
Poles	Type	Part No.	Part No.	Qty.
2	BLL 5.08/2/90B	1692970000	1684000000	100
3	BLL 5.08/3/90B	1692980000	1684010000	100
4	BLL 5.08/4/90B	1692990000	1684020000	100
5	BLL 5.08/5/90B	1693000000	1684030000	50
6	BLL 5.08/6/90B	1693010000	1684040000	50
7	BLL 5.08/7/90B	1693020000	1684050000	50
8	BLL 5.08/8/90B	1693030000	1684060000	50
9	BLL 5.08/9/90B	1693040000	1684070000	50
10	BLL 5.08/10/90B	1693050000	1684080000	50
11	BLL 5.08/11/90B	1693060000	1684090000	50
12	BLL 5.08/12/90B	1693070000	1684100000	50
13	BLL 5.08/13/90B	1693080000	1684110000	50
14	BLL 5.08/14/90B	1693090000	1684120000	50
15	BLL 5.08/15/90B	1693100000	1684130000	50
16	BLL 5.08/16/90B	1693110000	1684140000	50
17	BLL 5.08/17/90B	1693120000	1684150000	20
18	BLL 5.08/18/90B	1693130000	1684160000	20
19	BLL 5.08/19/90B	1693140000	1684170000	20
20	BLL 5.08/20/90B	1693150000	1684180000	20
21	BLL 5.08/21/90B	1693160000	1684190000	20
22	BLL 5.08/22/90B	1693170000	1684200000	20
23	BLL 5.08/23/90B	1693180000	1684210000	20
24	BLL 5.08/24/90B	1693190000	1684220000	20

BLL allows for touchsafe PCBs

Accessories	Page
Mounting	187*
Marking	190
Coding	193
Miscellaneous	-

Socket header BLL 5.08/180



Technical data	VDE	UL	CSA
Rated voltage (V)	250*	300	300
Rated current (A)	12	15	14

*Pollution severity 3 / Overvoltage category III
Additional technical data see page 217

Solder pin length		4.5 mm	4.5 mm	
Color		●	●	
Poles	Type	Part No.	Part No.	Qty.
2	BLL 5.08/2/180	1646140000	1646250000	100
3	BLL 5.08/3/180	1646150000	1646260000	100
4	BLL 5.08/4/180	1646160000	1646270000	100
5	BLL 5.08/5/180	1646170000	1646280000	50
6	BLL 5.08/6/180	1646180000	1646290000	50
7	BLL 5.08/7/180	1646190000	1646300000	50
8	BLL 5.08/8/180	1646200000	1646310000	50
9	BLL 5.08/9/180	1646210000	1646320000	50
10	BLL 5.08/10/180	1646220000	1646330000	50
11	BLL 5.08/11/180	1646230000	1646340000	50
12	BLL 5.08/12/180	1646240000	1646350000	50
13	BLL 5.08/13/180	1649020000	1649140000	50
14	BLL 5.08/14/180	1649030000	1649150000	50
15	BLL 5.08/15/180	1649040000	1649160000	50
16	BLL 5.08/16/180	1649050000	1649170000	50
17	BLL 5.08/17/180	1649060000	1649180000	20
18	BLL 5.08/18/180	1649070000	1649190000	20
19	BLL 5.08/19/180	1649080000	1649200000	20
20	BLL 5.08/20/180	1649090000	1649210000	20
21	BLL 5.08/21/180	1649100000	1649220000	20
22	BLL 5.08/22/180	1649110000	1649230000	20
23	BLL 5.08/23/180	1649120000	1649240000	20
24	BLL 5.08/24/180	1649130000	1649250000	20

BLL allows for touchsafe PCBs

Accessories	Page
Mounting	-
Marking	190
Coding	193
Miscellaneous	-